

CN-1800S & CN-2400S

Contractor Series SmartSequencers



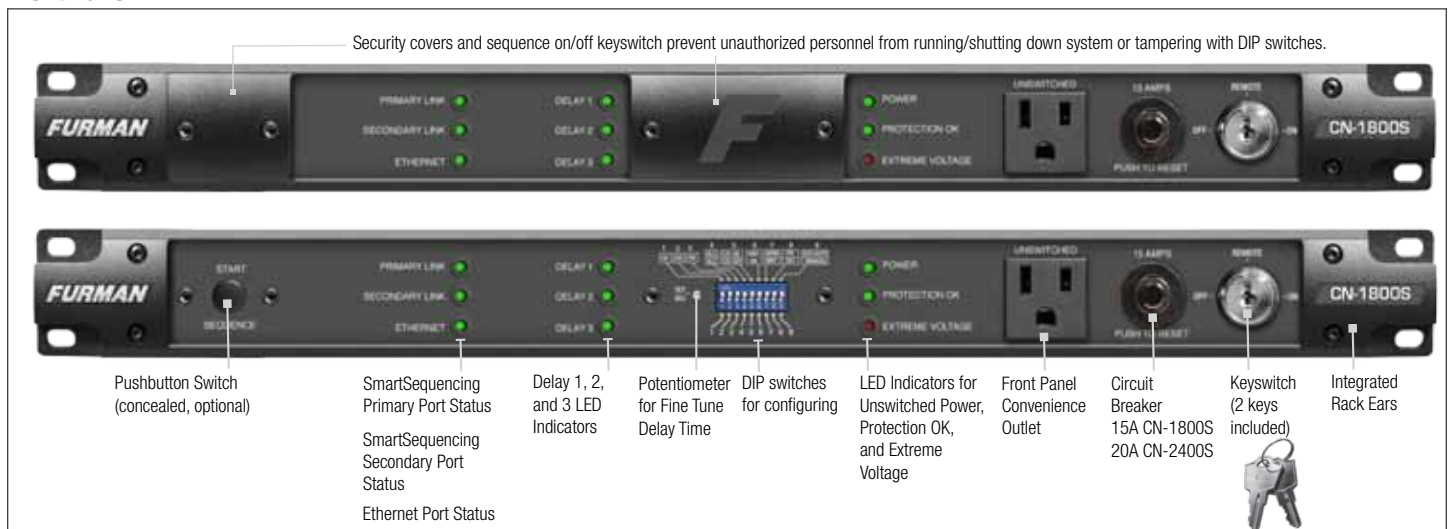
Furman's SmartSequencers combines AC power distribution, protection, filtration, and sequential system power on/off in a 1RU, 120VAC, rack-mount unit.

Features

- SmartSequencing technology allows large and complex A/V systems to be safely powered on and off with a simple press of a button or turn of a key, even by non-technical personnel.
- Multiple units may be daisy chained at runs of over 1,000' between units with bi-directional communications between units for sequencing on and off large and/or complex systems.
- RS-232 compatibility and command set provide integration with control systems, optional RS-232-to-Ethernet adaptor allows for control, programming, & monitoring from any Web-enabled device via Telnet, direct HTTP connection, or Panamax/Furman's BlueBOLT® platform.
- Series Multi-Stage Protection (SMP) ensures zero downtime for mission-critical installations by safely absorbing, clamping and dissipating transient surges and spikes without damage to internal circuitry or connected equipment.
- Extreme Voltage Shutdown (EVS) safeguards from catastrophic under-voltage (under 80V sustained) or over-voltage (over 145V sustained) conditions. Circuit may be set to auto-reset when voltage returns to normal or manual reset after an event is detected.
- Linear Filtering Technology (LiFT) ensures maximum performance from connected equipment by reducing AC noise evenly across the audio & video bandwidth.
- Security covers and sequence on/off keyswitch prevent unauthorized personnel from running/shutting down system or tampering with DIP switches.
- Fire alarm shut off.
- Available with 15 amp capacity (CN-1800S) or 20 amp capacity (CN-2400S).
- 15 Year Limited Product Warranty. See warranty policy documentation for terms and conditions.

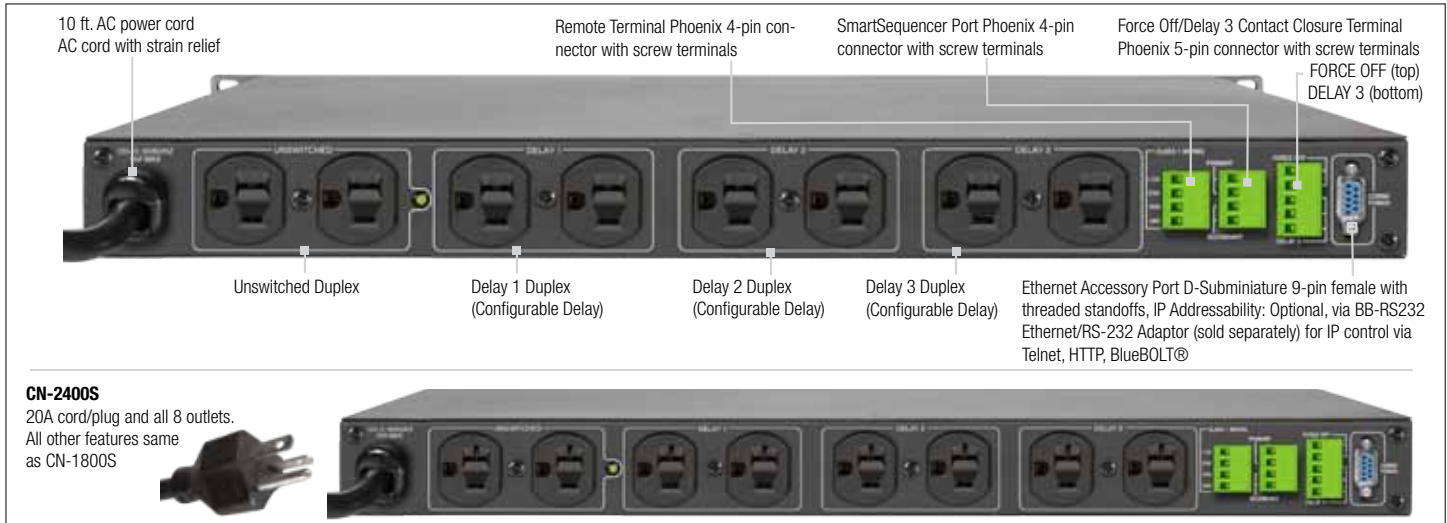


Front Panel



CN-1800S & CN-2400S Contractor Series SmartSequencers

Rear Panel



Specifications

AC Voltage Input Range

90-139VAC, 50/60Hz

Maximum AC Current Rating

CN-1800S: 15 amps (Thermal breaker)
CN-2400S: 20 amps (Thermal breaker)

AC Cord:

CN-1800S: 3/14AWG, 10 feet, black, fixed, NEMA 5-15P plug
CN-2400S: 3/12 AWG, 10 feet, black, fixed, NEMA 5-20P plug

AC Receptacles:

Convenience Outlet (Front Panel) 1 Unswitched NEMA 5-15R
CN-1800S Rear Panel Outlets: 2 Unswitched NEMA 5 15R's (1 duplex),
6 Sequenced NEMA 5-15R's (3 duplexes each controlled by separate relay)
CN-2400S Rear Panel Outlets: 2 Unswitched NEMA 5 20R's (1 duplex),
6 Sequenced NEMA 5-20R's (3 duplexes each controlled by separate relay)

Surge/Under-Overvoltage Protection:

AC Surge Protection: SMP
Spike Protection Mode: Line to neutral, zero ground leakage
Spike Clamping Voltage: 188VAC peak @ 6,000 volts/3,000 amps
Response Time: 1 nanosecond
Maximum Surge Current: 6,500 Amps
AC Undervoltage Protection: EVS, 77VAC +/- 3VAC
AC Overvoltage Protection: EVS, 145VAC +/- 5VAC
AC Overvoltage Reset Modes: Manual and Auto-reset (configurable)

AC Filtering:

LI FT
Noise Attenuation: Linear, 10dB @10KHz, 40dB@100KHz, 50dB@500KHz

Operating Temperature Range:

5C (40F) to 40C (105F) degrees

Humidity Range:

<90% rH (Relative Humidity)

User Interface:

Keypad: Front panel, 3-position keypad (On, Off, Remote)
Keys: Included, 1 pair
Pushbutton Switch: Front panel, hidden by security cover
Circuit Breaker: Front panel, pushbutton, 15A (CN-1800S), 20A (CN-2400S) Thermal Breaker
Front panel diagnostic indicators: Primary link, Secondary link, Ethernet, Remote off, Delay 1, Delay 2, Delay 3, Power, Protection OK, Extreme Voltage
Front Panel DIP Switches: Front panel, hidden by security cover, 1 Minute Delay, 2 Minute Delay, 4 Minute Delay,
Force Off NO/NC, 12V Mode On/Off GND Mode On, Momentary/Maintained, Primary/Secondary, EVS Reset Auto/Manual
Potentiometer: Front panel, hidden by security cover, fine tune delay adjust

Control/Status/Triggering (Rear Panel):

Remote Terminal: +5-30VDC In, 12VDC (12mA) Out
SmartSequencing: Phoenix 4-Pin Connector, Screw Terminals, Primary & Secondary Links (Current Loop - 1000' nominal)
Remote Terminal: Phoenix 4-Pin Connector With Screw Terminals; +12V, STAT, REM, GND (Class 2 Wiring)
Force Off/Delay 3 Terminal: Phoenix 5-Pin Connector With Screw Terminals, FORCE OFF, DELAY 3 (Class 2 Wiring)
RS-232 Compatible: Yes, DB-9 Connector
IP Addressability: Optional, via BB-RS232 Ethernet/RS-232 Adaptor (sold separately) for IP control via Telnet, HTTP, BlueBOLT®
Voltmeter: Available with RS-232/Ethernet option, +/- 2VAC accuracy
Ammeter: Available with RS-232/Ethernet option, +/-1A accuracy

Power Consumption (No Load): 10 Watts

Safety Agency: NRTL-C

RoHS Compliant: Yes



Specifications subject to change due to product upgrades and improvements.

Dimensions and Weight

