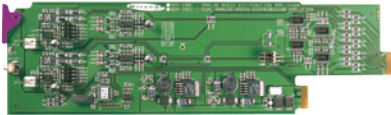
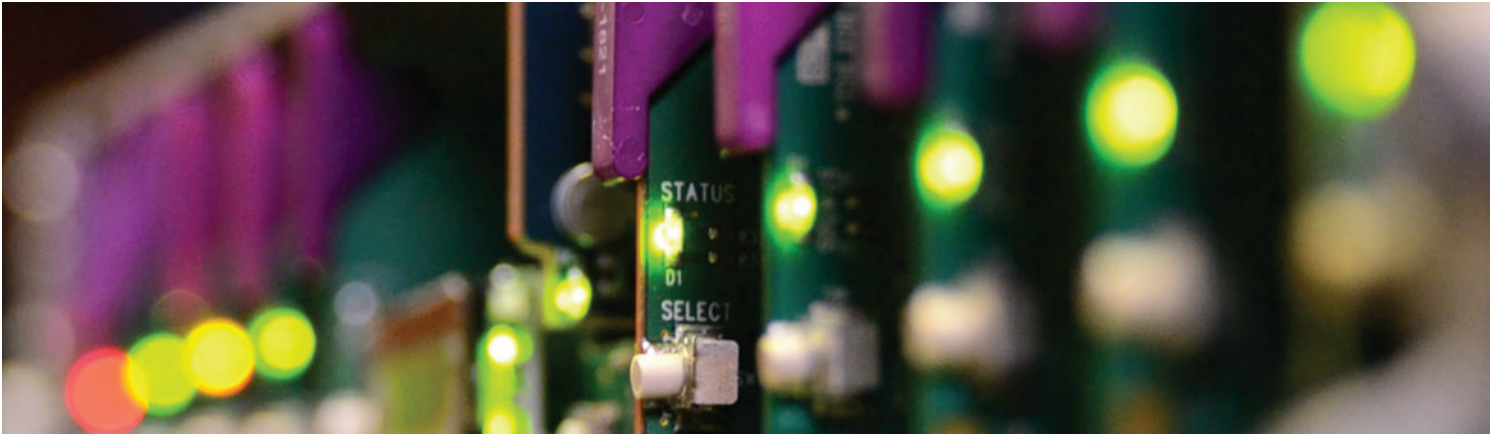


ADA-1023

Dual (Stereo) Analog Audio DA



Space-saving, modular platform for advanced signal processing.

The ADA-1023 from Grass Valley, a Belden Brand, is an analog audio DA that can be configured for single or dual channel (stereo) operation. In single channel mode, eight outputs can be driven while in dual channel mode, each channel has four outputs. A wide range of level gain control is possible and controlled from the card edge.

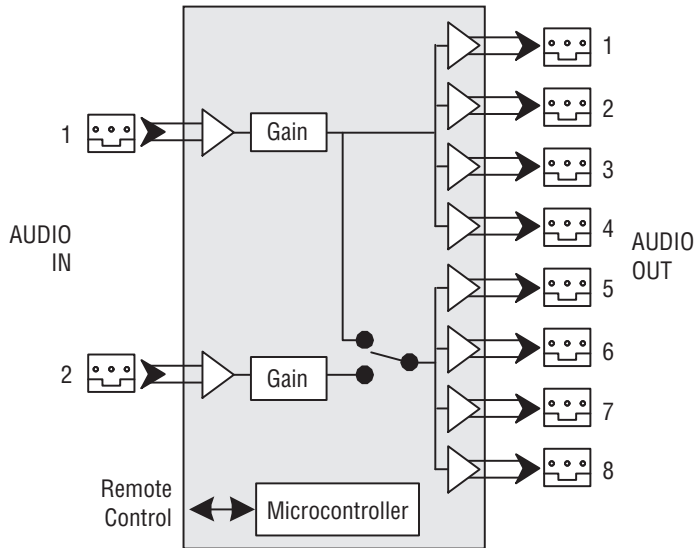
A signal status is also available indicating the input signal(s) presence.



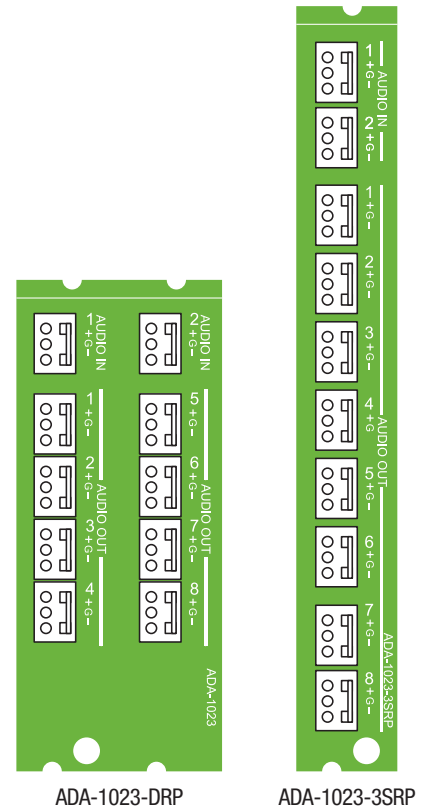
ADA-1023 Dual (Stereo) Analog Audio DA

KEY FEATURES

- Single or dual analog audio input(s)
- Single channel 8-output or dual channel (stereo) 4-output
- Balanced inputs and outputs
- Wide control of gain (-8 to +32 dB)
- Status LED and remote reporting of presence and overload



ADA-1023 Functional Block Diagram



SPECIFICATIONS

Input

Signal (2): Balanced analog audio
Impedance: >20kΩ
Common mode rejection: >50 dB

Output

Signal (8): Balanced analog audio
Impedance: <50Ω

Processing Performance

Gain range: -8 to +32 dB
Max. level: +24 dBu
SNR: -115 dB (unweighted 20 Hz to 20 kHz)
Distortion: <0.01 % (20 Hz to 20 kHz) at +24 dBu
Crosstalk: < -100 dB (20 kHz) at +24 dBu
Freq. response: ±0.05 dB (20 Hz to 20 kHz)
Overload threshold: +25 dBu
Signal absence: < -36 dBu for 0-255s

Electrical

Power: 7W

ORDERING

Densité 2 frame	Densité 3 frame	Description
ADA-1023	ADA-1023-3RU	Single/dual analog audio DA
ADA-1023-DRP		Double rear connector panel
	ADA-1023-3SRP	Single rear connector panel
Remote control	iControl, iControl Solo, RCP-200	



WWW.GRASSVALLEY.COM

Join the Conversation at **GrassValleyLive** on Facebook, Twitter, YouTube and **Grass Valley - A Belden Brand** on LinkedIn.



Belden, Belden Sending All The Right Signals and the Belden logo are trademarks or registered trademarks of Belden Inc. or its affiliated companies in the United States and other jurisdictions. Grass Valley, Densité and iControl are trademarks or registered trademarks of Grass Valley, Belden Inc., Grass Valley and other parties may also have trademark rights in other terms used herein.

Copyright © 2014 Grass Valley. All rights reserved. Specifications subject to change without notice.

GVB-1-0331A-EN-DS