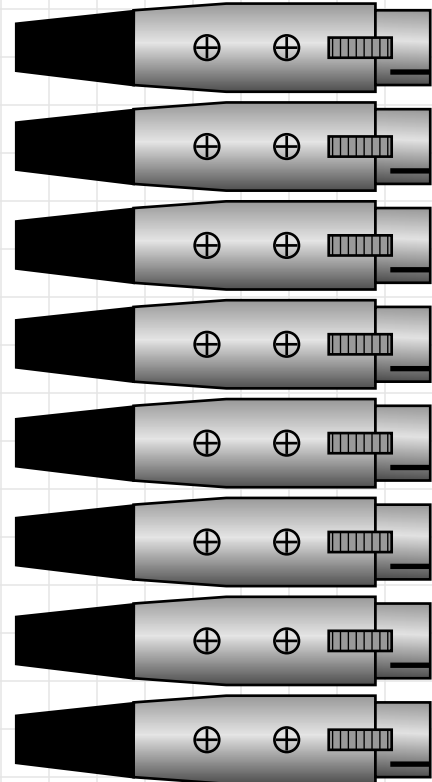
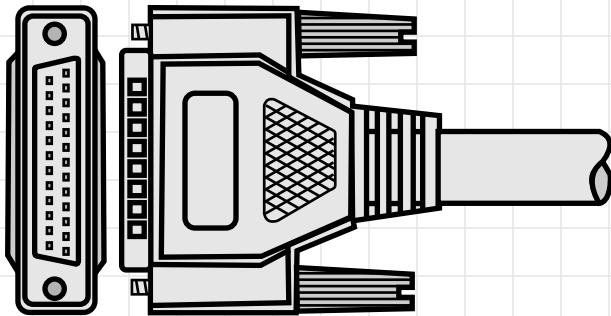


# DTF-800 SERIES

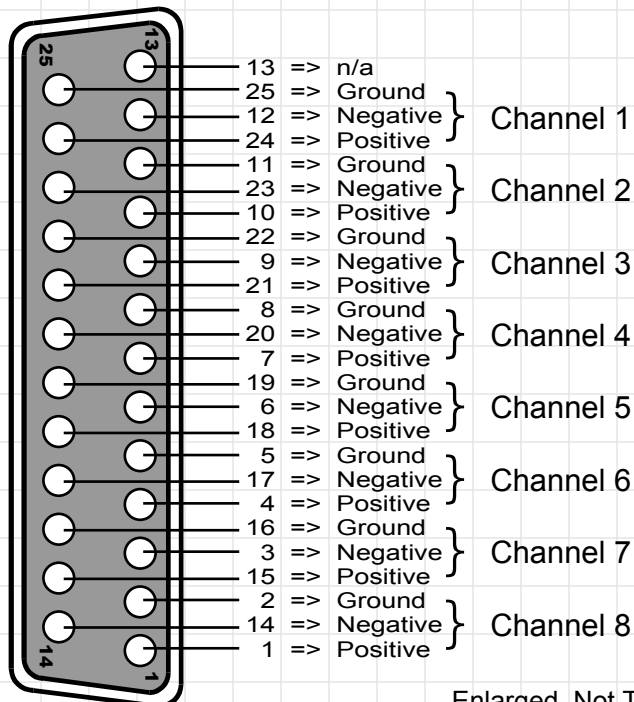
Balanced Snake, XLR3F to DB25, 8 ch

**Available in the following lengths:  
3m(9.9 ft.), 4m(13.2 ft.), 5m(16.5 ft.), 7m(23.1 ft.).**



## Pinout Diagram

NOTE: this view is from the "INSIDE" of the Multi-pin (D-Sub) connector. It depicts the view as seen from the solder terminals. The MALE pins are on the other side. This is essentially a "Mirror" view.



Enlarged, Not To Scale.

XLR PIN 1 = Ground  
XLR PIN 2 = Positive  
XLR PIN 3 = Negative

25-pin male plug (also called a "D-Sub") wired-out to 8 XLR Female connectors, for input connections from eight balanced sources to the D-88's multi-pin balanced inputs on audio mixers.

**DTF-800 SERIES**



Hosa Technology

HOSA TECHNOLOGY, 6650 CABALLERO BLVD., BUENA PARK, CA 90620  
PHONE: 714.522.8878 FAX: 714.522.4540