

Hosa Technology: OPT-100 Series Optical Cable Specification

MODEL	DESCRIPTION	DRAW NO.	WWC P/N.
OPT-100 Series	TOSLINK TO TOSLINK 2.2 PLASTIC FIBER OPTICAL CABLE	DAWW1-386	AAWW1-386-XXXX
CONSTRUCTION	DATE: 03-28-2007	UNIT = mm	SCALE = No
CONDUCTOR		INNER JACKET	
Material	POF	Material	PVC
Diameter	1mm	Diameter	2mm
CONNECTOR		OUTER JACKET	
Type	Toslink	Material	PCV
Material	Plastic	Diameter	2.18mm

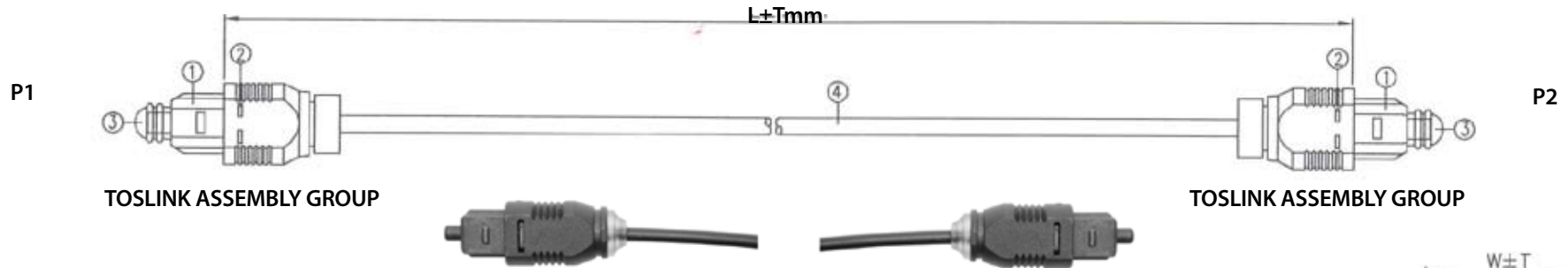
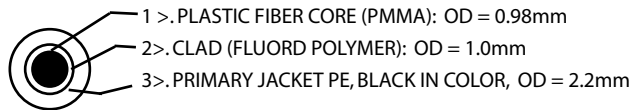


CHART A

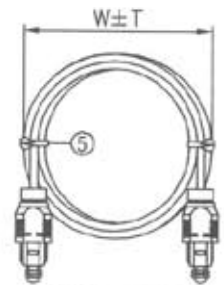


NOTES:

- CABLE SPEC:
CABLE SPECIFICATION SEE CHART A
PLASTIC FIBER OPTICAL, BLACK IN COLOR, OD = 2.2mm
- HOOD: ASSEMBLY TYPE, BLACK IN COLOR
- PACKING: BULK

REFERENCE TABLE

WWC P/N.	CUSTOMER P/N.	L±T(mm)	W±T(mm)
AAWW1-386-00610		610±20	110±10
AAWW1-386-00915		915±30	110±10
AAWW1-386-01830		1830±30	110±10
AAWW1-386-03050		3050±40	120±10
AAWW1-386-03660		3660±40	140±10
AAWW1-386-09150		9150±30	160±10



HANG CHART

MATERIAL LIST:

NO.	PARTS NAME	STANDARD SPECIFICATION	QTY
1	TOSLINK - PLASTIC SHELL	ABS/BLACK IN COLOR, OD = 2.2mm (MA-22T)	2
2	TOSLINK-KEY RETENTION	ABS/BLACK IN COLOR, "U" TYPE (MA-22U)	2
3	TOSLINK-DUST CAP	PVC/TRANSPARENT IN COLOR, SINGLE TYPE	2
4	CABLE	CABLE SPEC DETAIL SEE CHART "A"	2
5	MINI TIE	PE/BLACK IN COLOR	2

