

Professional Series

Key Features:

- ▶ Kevlar-reinforced 300 mm (12 inch) subwoofer driver woofer with 75 mm (3 inch) voice-coil.
- ▶ High power handling of 400 Watts with high sensitivity provides high SPL capability.
- ▶ Clean, contemporary grille and optional backbox available.

Applications:

Control 312CS is an excellent addition to JBL Control 321, 322 and 328 loudspeaker systems, or any full-range loudspeaker system that requires extended bass response.

The 300 mm (12 inch) driver features a Kevlar-reinforced low frequency cone for reliability, well-damped surround, extended excursion capability, high temperature 75 mm (3 in) voicecoil and reduced distortion through saturated-gap magnet geometry.

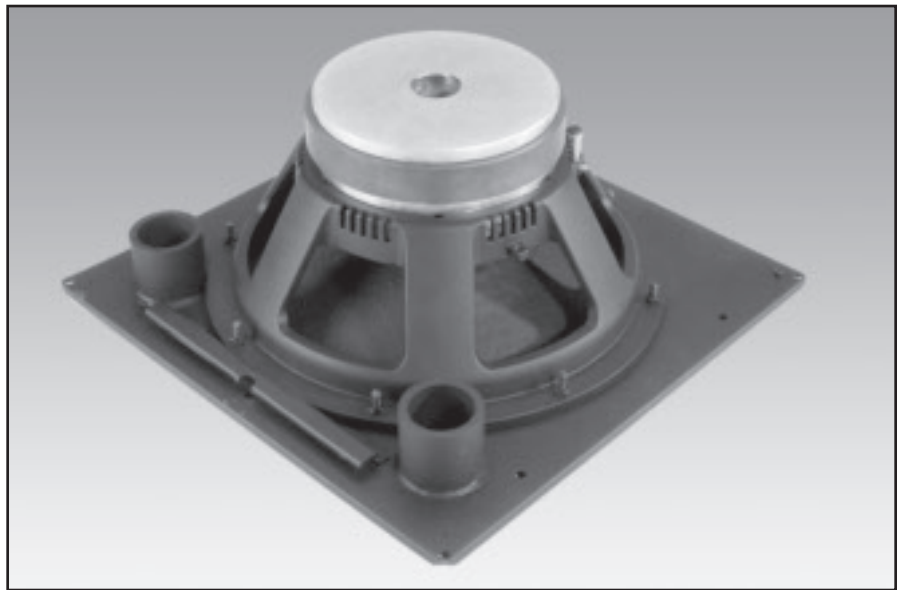
The Control 312CS is easy to install. The innovative EZRail™ feature built into the metal baffle temporarily holds one side of the speaker baffle in place until the installer can affix the baffle to the backcan with screws. The removable multi-pin locking connector, with secure screw-down terminals, allows for pre-wiring the input wires for easy clip-on convenience during installation.

The clean, contemporary look of the optional MTC-300SG12 square grille is designed to suit high-end venues, offering a simple, elegant appearance that fits into a wide variety of décors.

The optional, best-in-class, MTC-300BB12 three cubic foot backcan is made of extra-thick 16 gauge steel and lined with 12 mm (½ in) medium density fiberboard. This provides the performance of a top quality wood loudspeaker cabinet in a metal backbox form factor.

Control 312CS is intended for systems utilizing an external active subwoofer crossover and separate amplifier channel for the subwoofer loudspeaker(s).

To ensure long life and reliability, Control 312CS passes JBL's 100-hour torture power test. Nobody in the industry has more demanding reliability standards.



Specifications:

System:	
Frequency Response (-10 dB) ¹ :	30 Hz – 4.5 kHz
Frequency Range (±3 dB) ² :	34 Hz – 3.5 kHz
Long-Term System Power Rating, AES ³ :	400 W (1000 W peak), 2 hrs 250 W (600 W peak), 100 hrs
Sensitivity (2.83V@ 1m):	93 dB ³ measured half-space
Maximum SPL ⁴ :	121 dB cont ave (124 dB peak)
Nominal Impedance:	8 ohms
Transducers:	
Driver:	Kevlar reinforced cone, 75 mm (3 in) voice coil.
Physical:	
Input Connector:	Removable locking connector with screw-down terminals. Max wire 12 AWG (2.5 mm ²) 1) + in 2) + loop through 3) – loop through 4) – in
Safety Agency Rating:	Suitable for use in air handling spaces per UL1480, UL2043, NFPA90 & NFPA 70 when installed with UL listed backcan such as JBL MTC-300BB12. S7232/UL Listed, Signaling Speaker. Transformer UL registered per UL1876. In accordance with IEC60849/EN60849.
Baffle:	Metal, 366 x 366 mm (14.4 x 14.4 in), driver pre-mounted to baffle, ported, EZRail™ for easier installation to backbox.
Baffle Attachment to MTC-300BB12 Backbox:	Attach via either 4 corner holes M4 x 14 mm machine screws, or 6 side holes #10 x 0.75 in (19 mm) sheet metal screws.
Grille Attachment to Baffle:	4 pcs 4 mm machine screws in corners.
Dimensions (H x W x D):	366 x 366 mm (14.4 x 14.4 in) square baffle x 160 mm (6.3 in) depth from back of baffle.
Net Weight:	17.0 lb/7.7 kg
Shipping Weight:	18.5 lb /8.4 kg
Included Accessories:	Ported baffle pre-attached.
Optional Accessories:	MTC-300SG12 Grille, square contoured, white. MTC-300BB12 Backbox, 80 liters (3 cubic feet)

¹ In half space (in ceiling)

² AES standard, one decade pink noise with 6 dB crest factor.

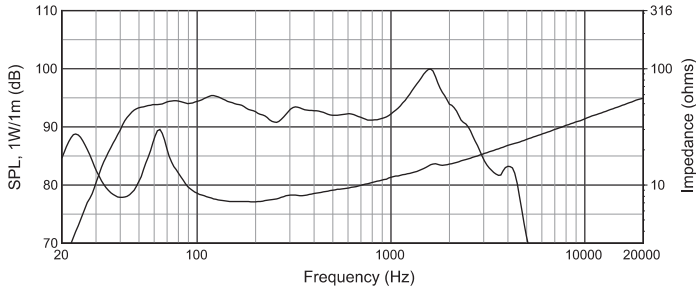
³ Measured in half space (in ceiling), within operational bandwidth.

⁴ Calculated based on power rating and measured half-space sensitivity, exclusive of power compression.

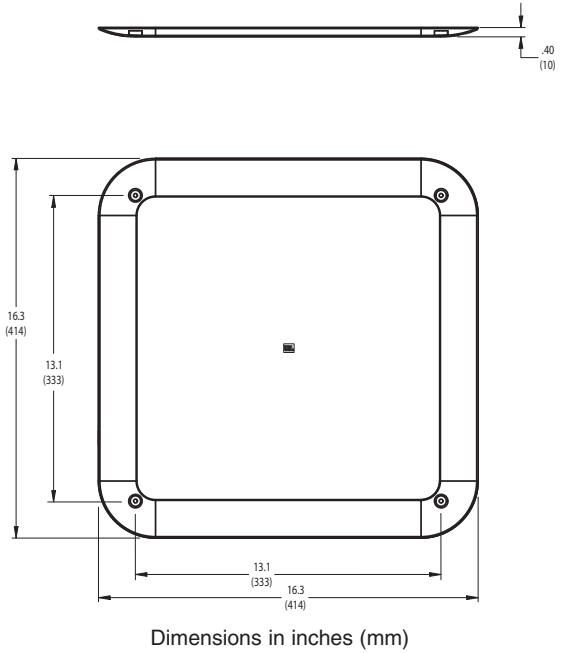
► Control® 312CS High-Output 12" In-Ceiling Subwoofer

Frequency Response:

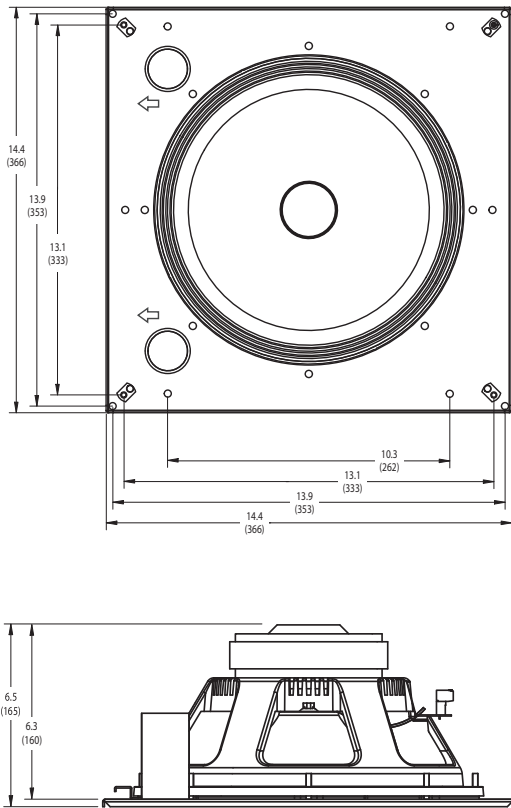
Half-space (2 π , mounted in ceiling) in 3 cu ft Backbox



MTC-300SG12 Grille (optional):



Dimensions:



JBL Professional
8500 Balboa Boulevard, P.O. Box 2200
Northridge, California 91329 U.S.A.

■ A Harman International Company
© Copyright 2010 JBL Professional
www.jblpro.com

SS C312CS
CRP
03/10