

Broadcast Host™

Analog Desktop Digital Hybrid



FEATURES

	BH	BK
» Excellent Separation of Caller and Talent Voice	•	•
» 16 bit DSP Technology	•	
» Bluetooth Wireless Technology		•
» Auto-Answer (Switchable On/Off)	•	
» Proprietary Auto Null Algorithm (50 dB null)	•	
» Send XLR Line Input	•	•
» Mic/Line Switch	•	•
» 3.5mm Mono Line Input	•	•
» 3.5mm Stereo Line Input		•
» Caller XLR Line Output	•	•
» 3.5mm Stereo Line Output	•	•
» 3.5mm Mono Mic Level Output		•
» 3.5 mm Stereo Headphone Jack	•	•
» Send and Caller Signal Level LEDs	•	•
» Send and Caller Volume Controls	•	•
» Guest Module Remote Jack	•	

BlueKeeper shown for comparison

BH = Broadcast Host **BK** = BlueKeeper

Our Most Popular Digital Hybrid.

Broadcast Host turns your desktop into a professional broadcast center. Contains everything you need to get talk show quality phone recordings into your mixer or sound card.

Connect a mic and headphones for a simple broadcast back to the station. Already at the station? Use Broadcast Host in your newsroom to record high quality interviews. Broadcast Host allows you to send mic and line level signals into the phone line while maintaining excellent separation between your voice and the caller. The stereo output jack on the back of the unit provides your voice on one channel and only the caller's voice on the other channel. The balanced XLR output jack contains only the caller's voice.

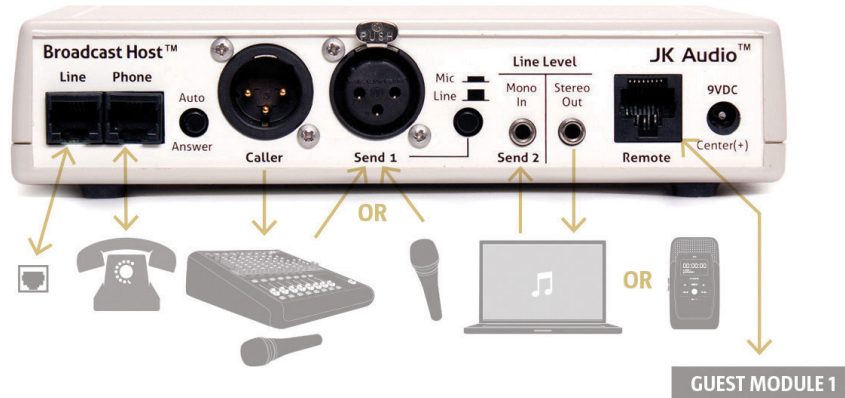
The digital hybrid connects audio signals to a standard analog telephone line without the transmit / receive crosstalk common to analog hybrids. The Digital Signal Processor (DSP) continuously monitors both the phone line and audio signals to deliver excellent separation. This proprietary, dual-convergence echo canceller algorithm can achieve excellent separation, typically exceeding 50 dB, without any setup and without sending a noise burst down the line.

Broadcast Host provides connections for a microphone, headphones, mixer, sound card, telephone and your analog telephone line. An auxiliary telephone is only required to place outgoing calls. The auxiliary telephone is disconnected when you press the **Call** button, and reconnected when you press the **Drop** button.

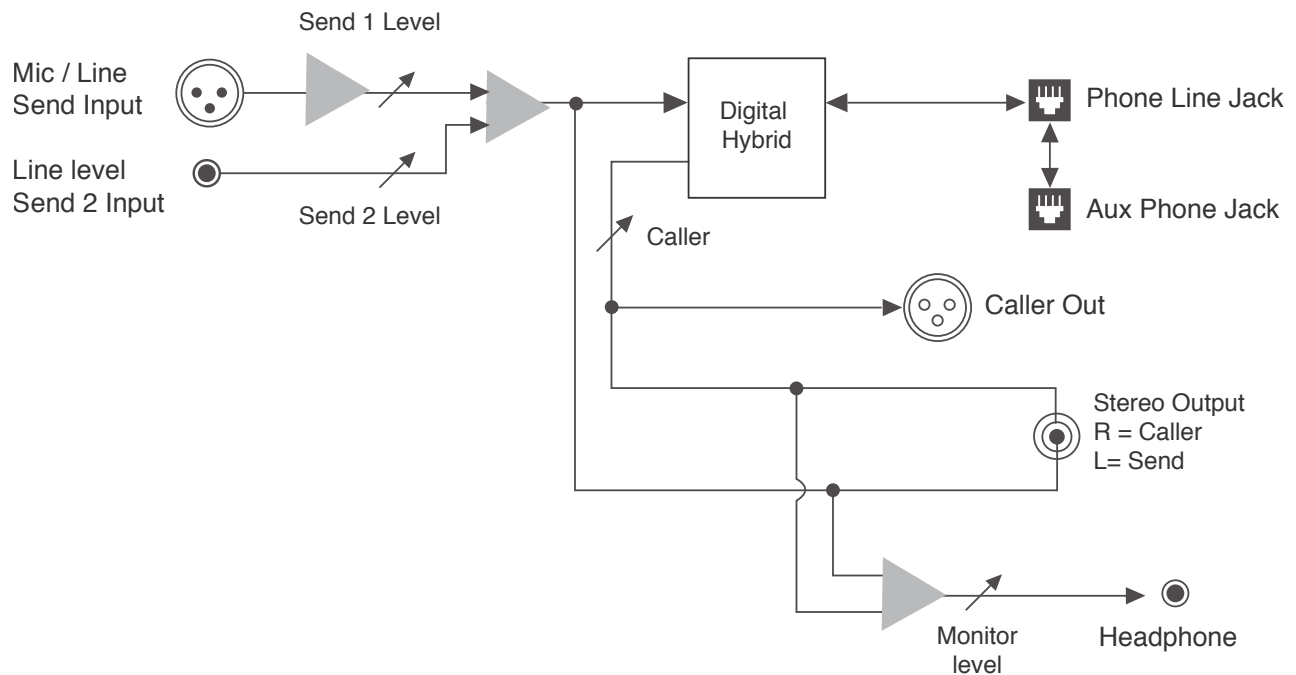
Broadcast Host features Auto-Answer/Auto Disconnect for use in IFB and monitoring applications. Other applications include: Podcasting/telephone interviews, talk shows, church PA interface, and conference room full duplex applications.

Broadcast Host™

Analog Desktop Digital Hybrid



BLOCK DIAGRAM



SPECIFICATIONS

Input

Balanced Female XLR Mics:	1k ohms / 15 mV RMS; -34 dBu nom. (Mic/Line pad switch = +6 dBu max)
1/8" (3.5mm) Stereo Line:	20k ohms / 250 mV RMS; -10 dBu nom.

Output

Balanced Male XLR:	200 ohms / 500 mV RMS; -4 dBu nom.; +14 dBu max; Caller Only
1/8" (3.5mm) Stereo:	50 ohms / 250 mV RMS; +6 dBu max Left = Send; Right = Caller
Headphone 1/4" Stereo:	8 ohms / 250 mW Mixed Send and Caller

Phone Line Connector:	RJ11C
Aux Phone:	RJ11C
Ringer:	0.8 B REN
Frequency Response:	Telephone Side 200 Hz-3600 Hz
Isolation:	1500 VAC
Power:	120-240 VAC Power Supply (included)
Size:	7" x 6" x 1.6" (18 x 15 x 4.2 cm)
Weight:	2.2 lbs. (1kg)

