

# innkeeper PBX™

## VoIP/PBX Desktop Digital Hybrid



### FEATURES

	PBX	UH
» Excellent Separation of Caller and Talent Voice	•	•
» 16 bit DSP Technology	•	•
» 16 bit USB Audio CODEC		•
» Proprietary Auto Null Algorithm (50 dB null)	•	•
» Send XLR Line Input	•	•
» Mic/Line Switch	•	•
» 3.5mm Mono Line Input	•	•
» Caller XLR Line Output	•	•
» 3.5mm Stereo Line Output	•	•
» 3.5 mm Stereo Headphone Jack	•	•
» Send and Caller Signal Level LEDs	•	•
» Send and Caller Volume Controls	•	•
» Handset Selector Switch (Electret, Carbon, Dynamic)	•	•

Universal Host shown for comparison

**PBX** = innkeeper PBX    **UH** = Universal Host

### The Broadcast Host for PBX Phone Lines.

Innkeeper PBX easily converts your multi-line PBX type telephone system into a professional, affordable talk show console. The digital hybrid connects audio signals to your PBX type telephone system through the telephone handset cord. The Digital Signal Processor (DSP) continuously monitors both transmit and receive audio signals to deliver excellent separation. This proprietary, dual convergence echo canceller algorithm can achieve excellent separation without any setup, and without sending a noise burst down the line.

innkeeper PBX provides connections for a microphone, headphones, mixer, sound card, and telephone handset. The stereo output jack on the back of the unit provides your voice on one channel and only the caller's voice on the other channel. The balanced XLR output jack contains only the caller's voice. The Handset and Broadcast buttons select between talking on the handset, or sending and receiving through the audio connections.

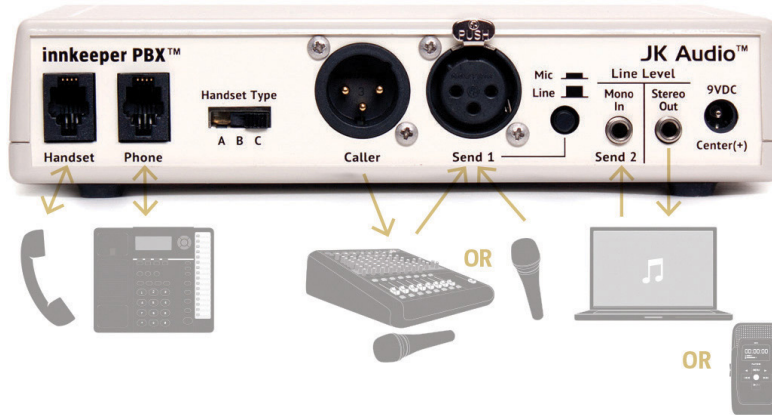
**Talk Shows** Your producer can screen callers from another phone while you take callers on the air by simply selecting available lines on your phone.

**Interviews** Use innkeeper PBX in your newsroom to record high quality interviews. Connect a mic and headphones to your PBX telephone while maintaining excellent separation between your voice and the caller.

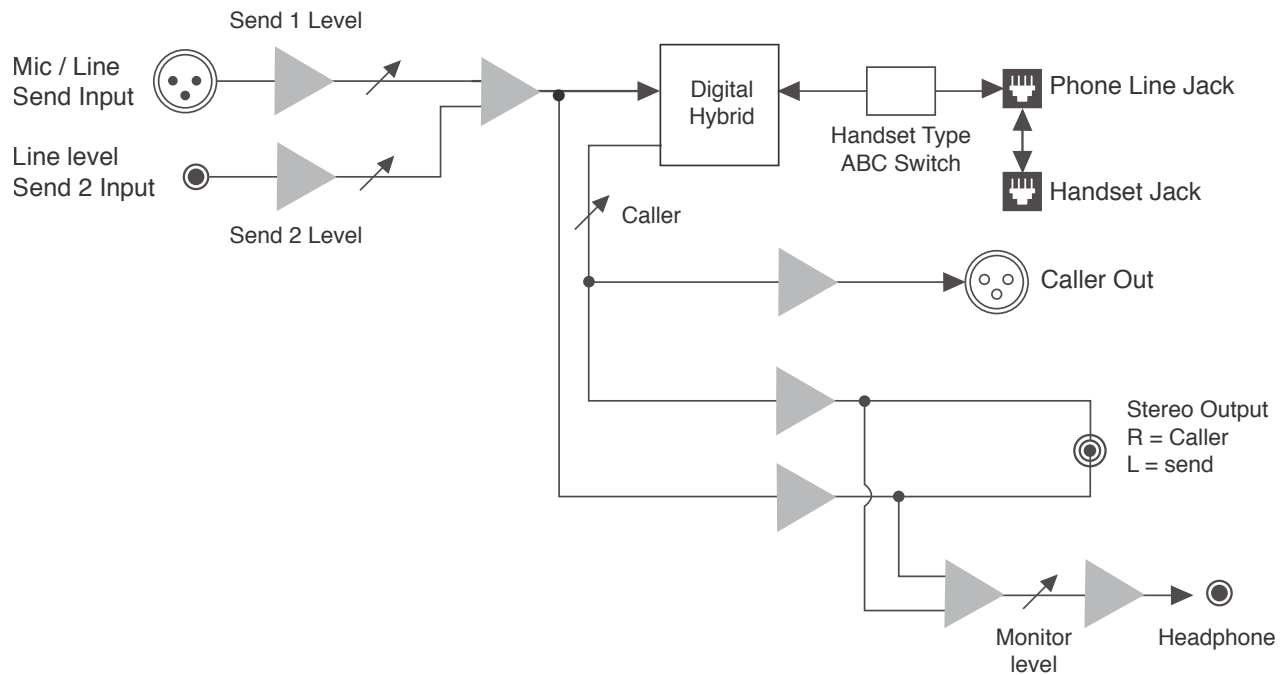
**Conference Room** Easily connect your PA system to the existing PBX telephone system. The echo canceller algorithm can prevent feedback and allow full duplex conversations.

# innkeeper PBX™

## VoIP/PBX Desktop Digital Hybrid



### BLOCK DIAGRAM



## SPECIFICATIONS

### Input

<b>Balanced Female XLR Mics:</b>	1k ohms / 15 mV RMS; -34 dBu nom. (Mic/Line pad switch = +6 dBu max)
<b>1/8" (3.5mm) Stereo Line:</b>	20k ohms / 250 mV RMS; -10 dBu nom.

### Output

<b>Balanced Male XLR:</b>	200 ohms / 500 mV RMS; -4 dBu nom.; +14 dBu max; <b>Caller Only</b>
<b>1/8" (3.5mm) Stereo:</b>	50 ohms / 250 mV RMS; -10 dBu nom.; +6 dBu max <b>Left = Send; Right = Caller</b>
<b>Headphone 1/4" Stereo:</b>	8 ohms / 250 mW <b>Mixed Send and Caller</b>

<b>Phone Line Connector:</b>	RJ22
<b>Aux Phone:</b>	RJ22
<b>Frequency Response:</b>	Telephone Side 200 Hz-3600 Hz
<b>Isolation:</b>	1500 VAC
<b>Power:</b>	120-240 VAC Power Supply (included)
<b>Size:</b>	7" x 6" x 1.6" (18 x 15 x 4.2 cm)
<b>Weight:</b>	2.2 lbs. (1kg)

