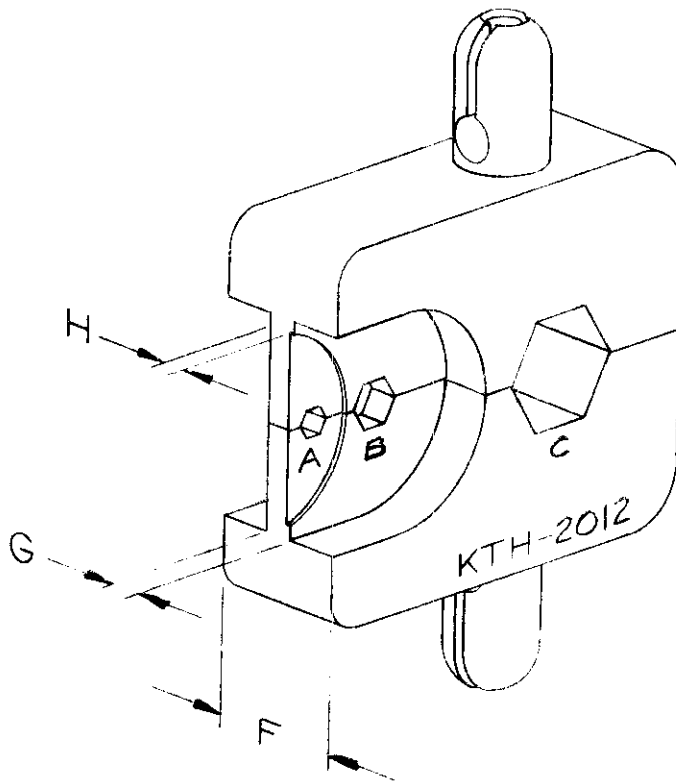


DASH NO.

M CODE

MALL FROM

KTH-2012



## NOTES:

1. FOR USE WITH RG-5, G, 21, 143, 212, 222, 304, BELDEN 8281 & W.E. 724 CABLE GROUPS.

## HEX SIZES (ACROSS FLATS)

A	B	C	D	DIE WIDTH F	WEB WIDTH G	WEB THICK H	I
.063	.100	.324	—	.400	.093	.080	—

## UNLESS OTHERWISE SPECIFIED:

1. TOLERANCES: FRACTIONS & 2 PLACE DECIMALS  $\pm .010$   
3 PLACE DECIMALS  $\pm .004$   
ANGLES  $\pm 0^{\circ} 30'$
2. REMOVE ALL BURRS. BREAK SHARP EDGES .005 MAX.
3. NO FILLETS PERMITTED.
4. SURFACE ROUGHNESS 63 MICROINCHES RMS MAX.
5. ALL DIMENSIONS PRIOR TO PLATING.

## REVISIONS

ISSUE	CHANGES
2	CN 27547 C AJ 2 DEC 85

S-D

SCALE:

USED ON:

REF:

FINISH

SPEC.

MATL.

SPEC.

CRIMP DIE

DRAWN MJB DATE 16 JUL 79

APPR. GIND DATE 16 JUL 79

KINGS ELECTRONICS

40 MARBLEDALE ROAD  
TUCKAHOE, N. Y. 10707

KTH-2012 S-D