

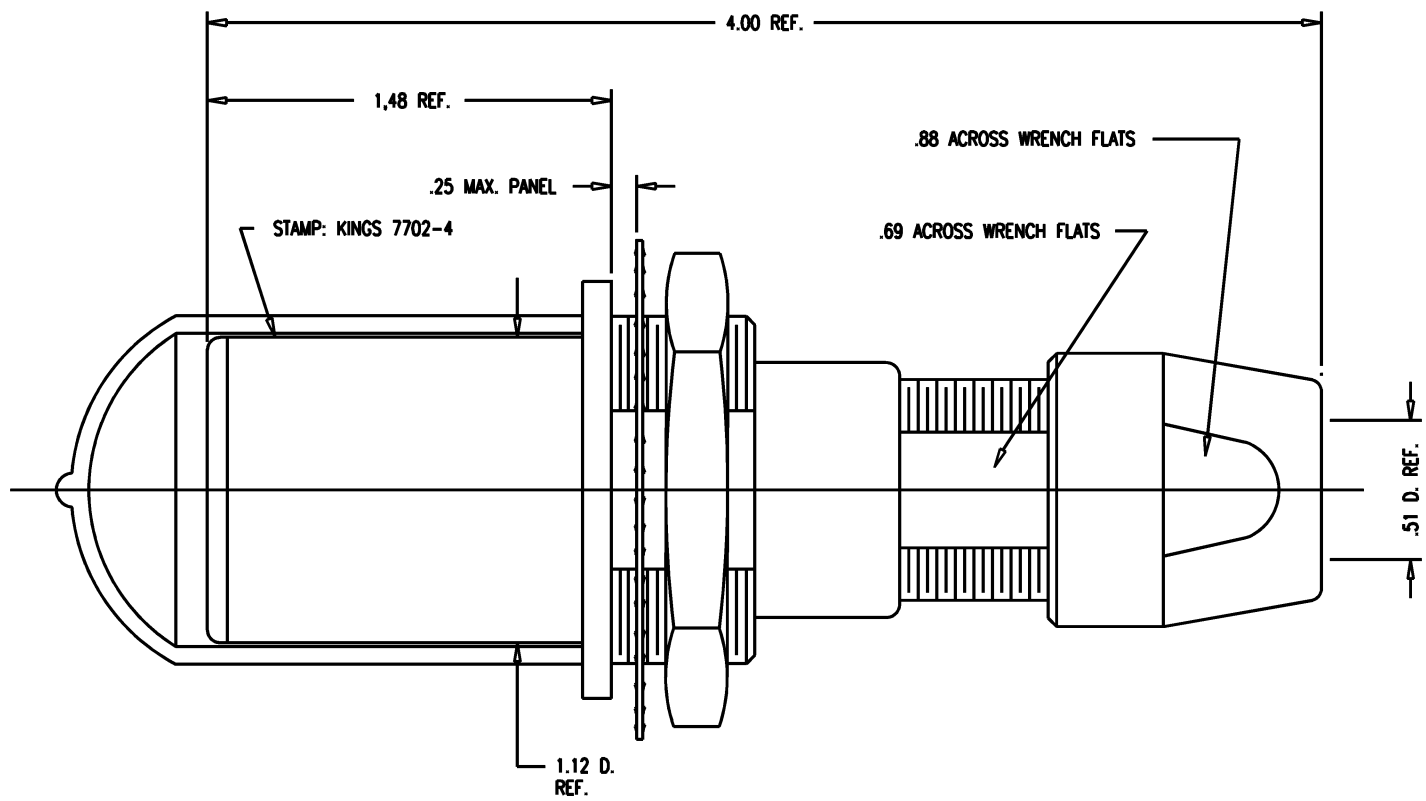
DASH NO.	M CODE	MADE FROM
----------	--------	-----------

GSD

7702-4

REVISIONS	
ISSUE	CHANGES
0	ER 35430 KH 04/10/95
1	CN 37238 D KH 02/03/97

KAM5521



NOTES:

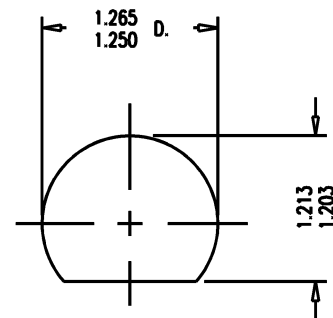
- FOR USE WITH 700 CABLE GROUP.
- FOR CABLING INSTRUCTIONS SEE KAI-8010.
- FOR CABLE TRIMMING USE KTJ-300 AND KTD-300.
- FOR CRIMPING USE DIE SIZE 2040.
- MATERIALS:
 - INSULATORS-TEFLON, ASTM-D-4894
 - LOCKWASHER-SPRING STEEL, PER ASTM A682
 - GASKETS-SILICONE RUBBER, ZZ-R-765
 - CAP-VINYL
 - K-GRIP SLEEVE-COMMERCIAL BRONZE, ASTM-B-135
 - CENTER CONTACT } BER. COP., ASTM-B-196
 - OUTER CONTACT SPRING }
 - INSERT
 - ALL OTHER METAL PARTS-BRASS, ASTM-B16

6. FINISHES:

- CENTER CONTACT } GOLD PLATE PER MIL-G-45204
- OUTER CONTACT SPRING }
- LOCKWASHER } KINGS TARNISH RESISTANT NICKEL FINISH (TR-5)
- NUTS }
- COLLET }
- BODIES }
- ALL OTHER METAL PARTS-SILVER PLATE PER QQ-S-365

7. ELECTRICAL CHARACTERISTICS:

- NOMINAL IMPEDANCE: 75 OHMS
- FREQUENCY RANGE: DC-500 MHZ
- VOLTAGE BREAKDOWN: CENTER CONDUCTOR/INNER GROUND: 1500 VRMS
- INNER GROUND/OUTER GROUND: 500 VRMS



GSD

MOUNTING HOLE

SCALE 2:1	
APPROX SURFACE AREA	
USED ON	
REF: KP-8022-704-400	
JK, BKHD, TRI-LOC, SERIAL DIGITAL	
DRAWN KH	DATE 04/10/95
DESIGN DW	DATE 04/11/95
APPR.	DATE
KINGS ELECTRONICS CO., INC. TUCKAHOE, NEW YORK 10707	
7702-4	