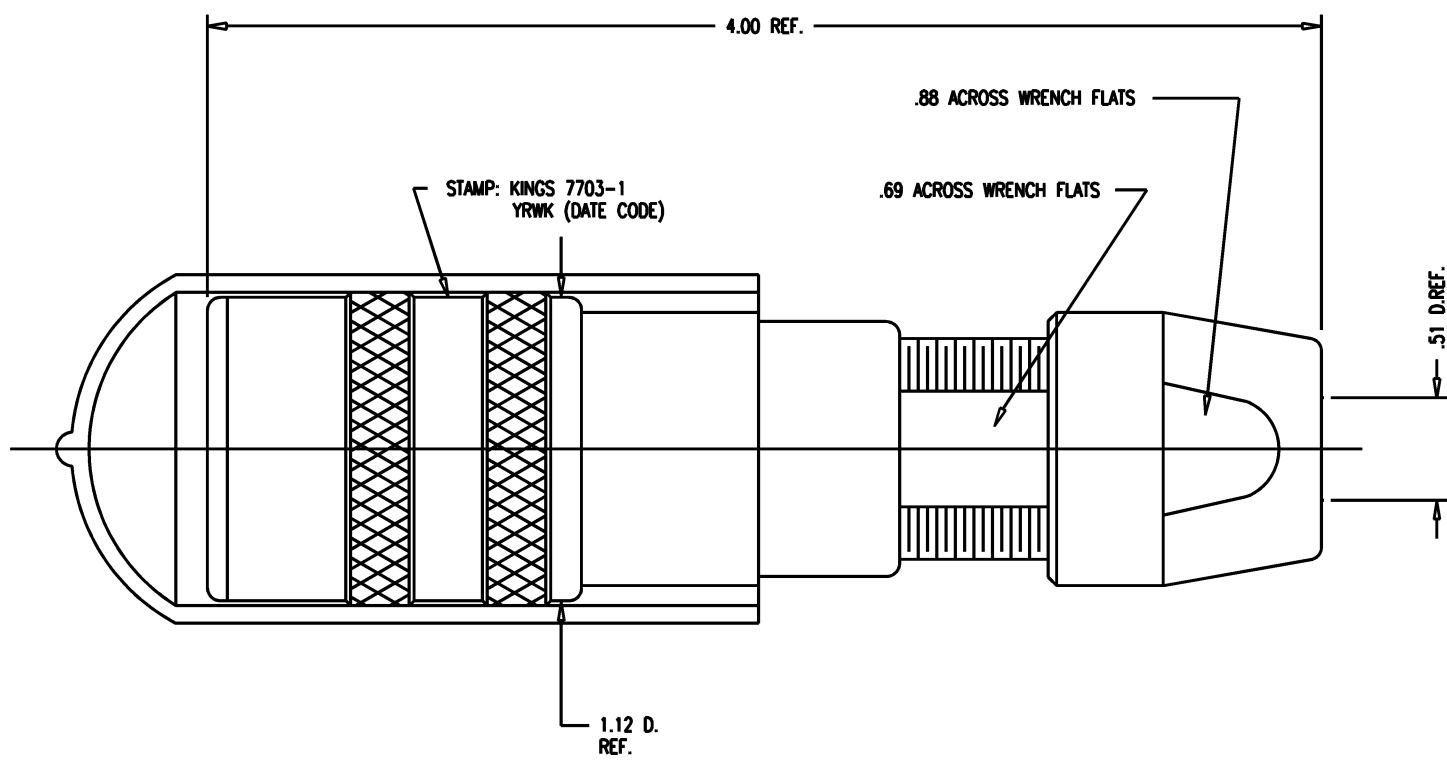


DASH NO.	M CODE	MADE FROM
----------	--------	-----------

# GSD

7703-1

REVISIONS	
ISSUE	CHANGES
0	ER 35421 KH 04/10/95
1	CN 37238 A KH 02/03/97
2	CN 38583 C BDH 05/24/02



**NOTES:**

- FOR USE WITH 700 CABLE GROUP.
- FOR CABLING INSTRUCTIONS SEE KAI-8010.
- FOR CABLE TRIMMING USE KTJ-300 AND KTD-300.
- FOR CRIMPING USE DIE SIZE 2040.
- MATERIALS:  
 INSULATORS-TEFLON, ASTM-D-4894  
 GASKETS-SILICONE RUBBER, ZZ-R-765  
 CAP-VINYL  
 K-GRIP SLEEVE-COMMERCIAL BRONZE, ASTM-B-135  
 CENTER CONTACT }  
 OUTER CONTACT SPRING } BER. COP., ASTM-B-196  
 INSERT  
 ALL OTHER METAL PARTS-BRASS, ASTM-B16
- FINISHES:  
 CENTER CONTACT } GOLD PLATE PER MIL-G-45204  
 OUTER CONTACT SPRING }  
 NUTS } KINGS TARNISH RESISTANT NICKEL FINISH (TR-5)  
 COLLET }  
 BODIES }  
 ALL OTHER METAL PARTS-SILVER PLATE PER QQ-S-365
- ELECTRICAL CHARACTERISTICS:  
 NOMINAL IMPEDANCE: 75 OHMS  
 FREQUENCY RANGE: DC-500 MHZ  
 VOLTAGE BREAKDOWN: CENTER CONDUCTOR/INNER GROUND: 1500 VRMS  
 INNER GROUND/OUTER GROUND: 500 VRMS

KAM5516

SCALE 2:1	
APPROX SURFACE AREA	
USED ON	
REF: KP-8020-700-400	
JK, TRI-LOC, SERIAL DIGITAL	
DRAWN KH	DATE 04/10/95
DESIGN DW	DATE 04/11/95
APPR.	DATE

**KINGS**  
ELECTRONICS CO., INC.  
ROCK HILL, SOUTH CAROLINA 29730

# GSD

7703-1