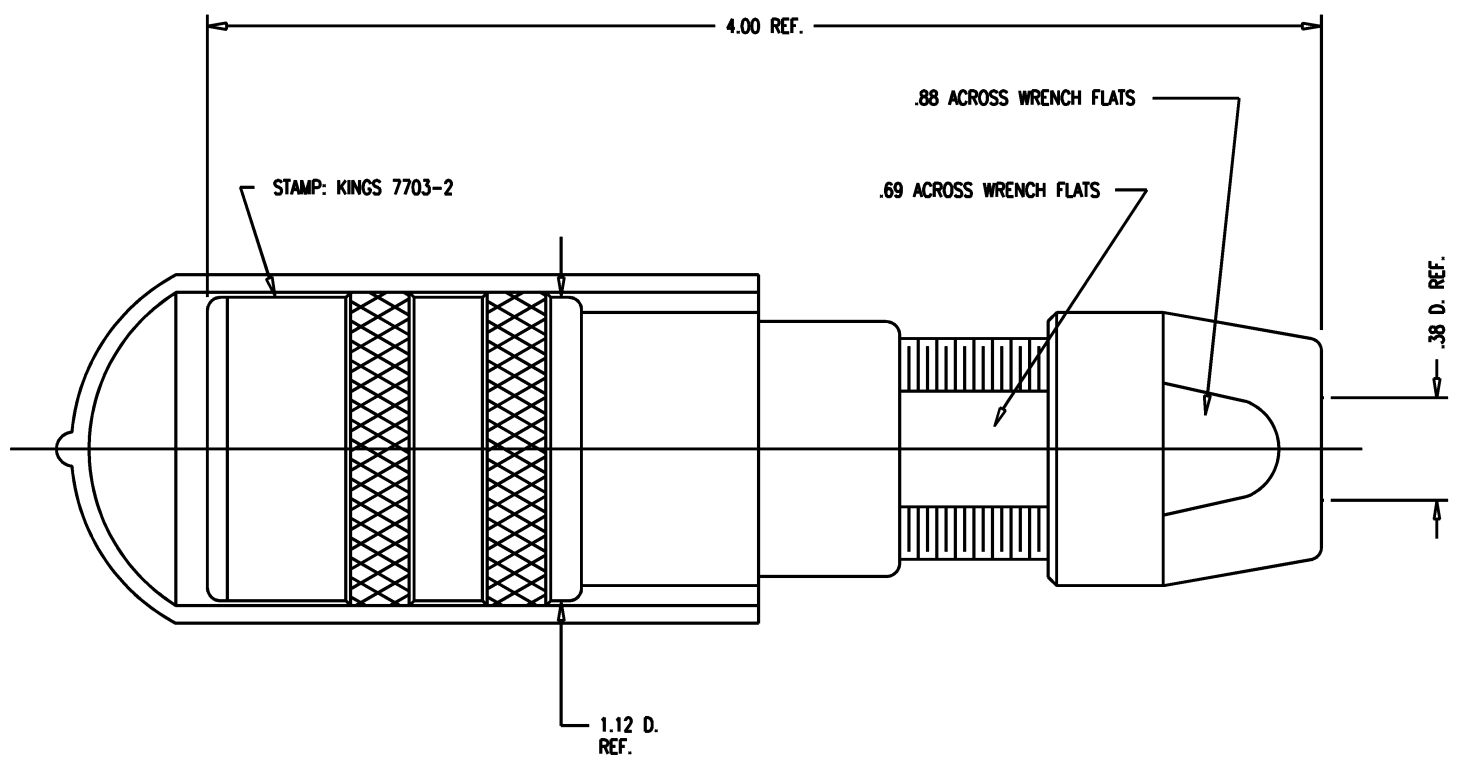


DASH NO.	M CODE	MADE FROM
----------	--------	-----------

GSD

7703-2

REVISIONS	
ISSUE	CHANGES
0	ER 35423 KH 04/10/95
1	CN 36678 A KH 11/07/95
2	CN 37238 D KH 02/03/97
3	CN 39531 C AM 07/12/06
4	CN 39551 E AM 07/31/06



NOTES:

- FOR USE WITH 730 CABLE GROUP.
- FOR CABLING INSTRUCTIONS SEE KAI-8010.
- FOR CRIMPING USE DIE SIZE KTH-2002.
- MATERIALS:**
 INSULATORS: TEFLON, ASTM-D-4894
 GASKETS: SILICONE RUBBER, ZZ-R-765
 CAP: VINYL
 K-GRIP SLEEVE: COM'L BRONZE, ASTM-B-135
 CENTER CONTACT
 OUTER CONTACT SPRING } BER. COPPER, ASTM-B-196
 INSERT
 ALL OTHER METAL PARTS: BRASS, ASTM-B16
- FINISHES:**
 CENTER CONTACT
 OUTER CONTACT SPRING } GOLD PLATE PER MIL-G-45204
 NUTS
 COLLET } KINGS TARNISH RESISTANT NICKEL FINISH (TR-5)
 BODIES
 ALL OTHER METAL PARTS: SILVER PLATE PER QQ-S-365
- ELECTRICAL CHARACTERISTICS:**
 NOMINAL IMPEDANCE: 75 ~W
 FREQUENCY RANGE: DC-500 MHZ
 VOLTAGE BREAKDOWN: CENTER CONDUCTOR/INNER GROUND: 1500 VRMS
 INNER GROUND/OUTER GROUND: 500 VRMS

SCALE 2:1	
APPROX SURFACE AREA	
USED ON	
REF: KP-8020-730-400	
JK, TRI-LOC, SERIAL DIGITAL	
DRAWN KH	DATE 04/10/95
DESIGN DW	DATE 04/11/95
APPR.	DATE



ROCK HILL, SOUTH CAROLINA 29730

GSD

7703-2