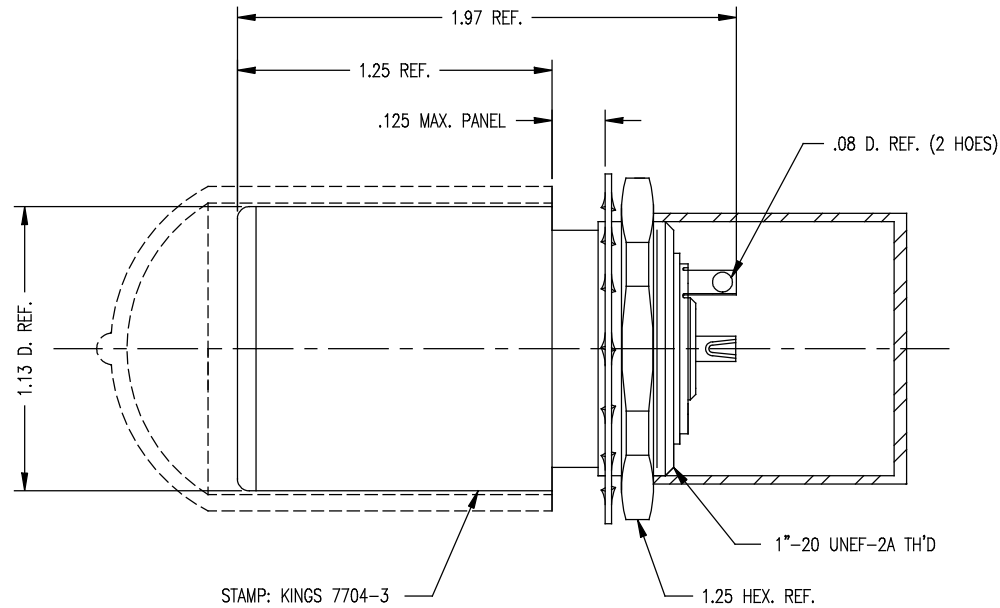


SD



NOTES:

1. MATERIALS:

INSULATORS: TEFLON, ASTM-D-4894

CAP: VINYL

CENTER CONTACT

OUTER CONTACT SPRING } BER. COP., ASTM-B-196

INSERT

LOCKWASHER: PHOSPHOR BRONZE, ASTM-B-103

ALL OTHER METAL PARTS: BRASS, ASTM-B16

2. FINISHES:

OUTER CONTACT SPRING } GOLD PLATE PER MIL-G-45204

CENTER CONTACT

ALL OTHER METAL PARTS: KINGS TARNISH RESISTANT NICKEL FINISH (TR-5)

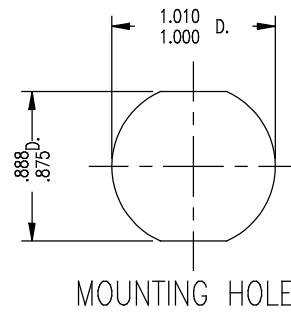
3. ELECTRICAL CHARACTERISTICS:

NOMINAL IMPEDANCE: 75 OHMS

FREQUENCY RANGE: DC-500 MHz

VOLTAGE BREAKDOWN: CENTER CONDUCTOR/INNER GROUND: 1500 VOLTS RMS

INNER GROUND/OUTER GROUND: 500 VOLTS RMS



SD

REVISIONS

ISSUE CHANGES

ISSUE	CHANGES
0	ER 35437 KH 04/19/95
1	CN 36754 E ME 12/22/95
2	CN 37274 D PG 03/13/97
3	CN 37424 C MRM 08/26/97
4	CN 37561 C JW 09/19/98

7704-3

770434S

SCALE 2:1

APPROX SURFACE AREA

USED ON

REF: KP-8060-003-000

RECEPTACLE, BKHD, TRI-LOC
SERIAL DIGITAL

DRAWN ME DATE 10/31/95

DESIGN FD DATE 10/31/95

APPR. DATE

KINGS
ELECTRONICS CO., INC.
TUCKAHOE, NEW YORK 10707

7704-3