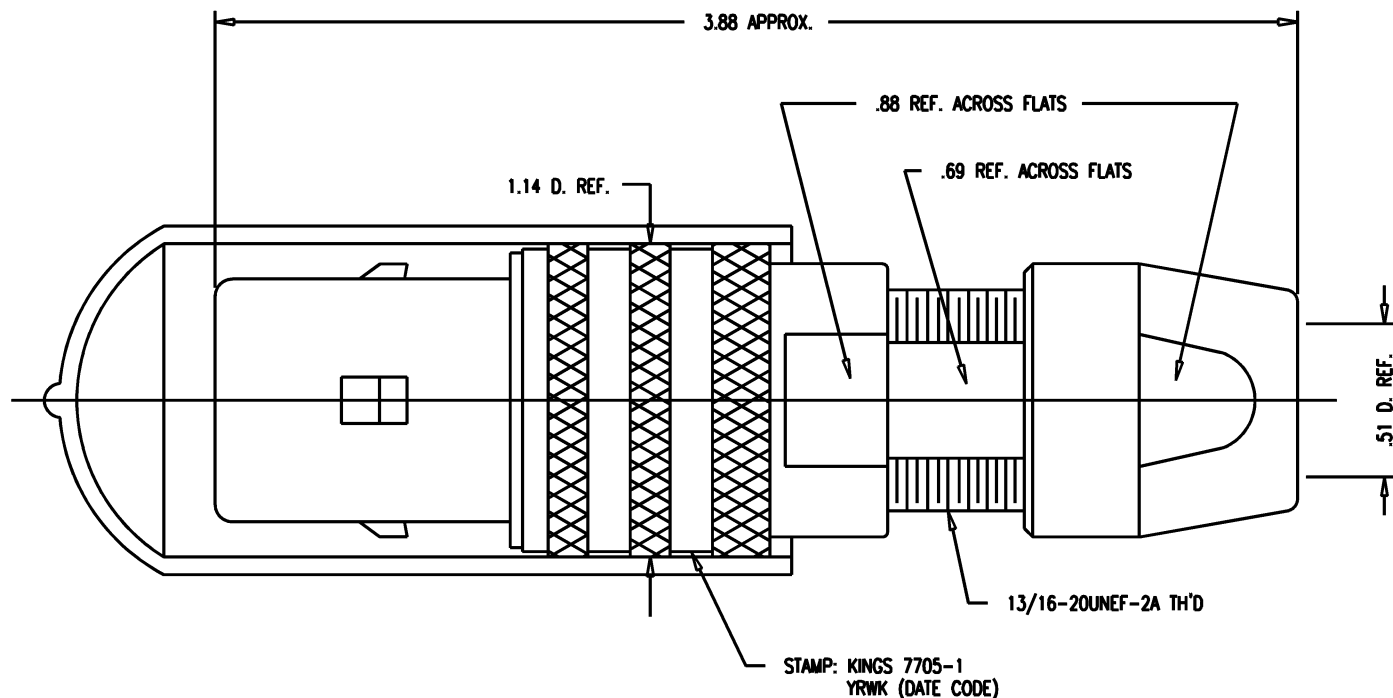


DASH NO.	M CODE	MADE FROM
----------	--------	-----------

GSD

7705-1

REVISIONS	
ISSUE	CHANGES
0	ER 35412 KH 05/06/95
1	CN 36381 E ME 06/19/95
2	CN 37920 E TML 10/25/99
3	CN 38122 C BDH 11/08/00



NOTES:

- FOR USE WITH 700 CABLE GROUP.
- FOR CABLING INSTRUCTIONS SEE KAI-8010.
- FOR CABLE TRIMMING USE KTJ-300 AND KTD-300
- FOR CRIMPING USE DIE KTH-1000 AND KTH-2040.

5. MATERIALS:

INSULATORS: TEFLON, ASTM-D-1457
 CONDUCTIVE GASKET: CONSIL C 87-10004
 GASKETS: SILICONE RUBBER, Z2-R-765
 K-GRIP SLEEVE: COM. BRONZE TUBE, ALLOY 220
 OUTER CONTACT: PHOSPHOR BRONZE, QQ-B-750
 FINGER BODY: BER. COPPER, ASTM-B-196
 CENTER CONTACT TIP: DELRIN
 CAP: VINYL
 ALL OTHER METAL PARTS: BRASS, ASTM-B16

6. FINISHES:

CENTER CONTACT: HARD GOLD PLATE, PER MIL-G-45204
 NUT
 COLLET
 OUTER BODIES } KINGS TARNISH RESISTANT FINISH (TR-5)
 ALL OTHER METAL PARTS: SILVER PLATE, PER QQ-S-365

7. ELECTRICAL CHARACTERISTICS:

NOMINAL IMPEDANCE: 75 OHMS
 FREQUENCY RANGE: DC-500 MHZ
 VOLTAGE BREAKDOWN: CENTER CONDUCTOR/INNER GROUND: 1500 VRMS
 INNER GROUND/OUTER GROUND: 500 VRMS

77051S

SCALE 2:1

APPROX SURFACE AREA

USED ON

REF: KP-8010-700-400

PLUG, TRI-LOC
(SERIAL DIGITAL)

DRAWN KH DATE 04/06/95

DESIGN DW DATE 04/07/95

APPR. DATE

KINGS
ELECTRONICS CO., INC.
ROCK HILL, SOUTH CAROLINA 29730

7705-1

GSD