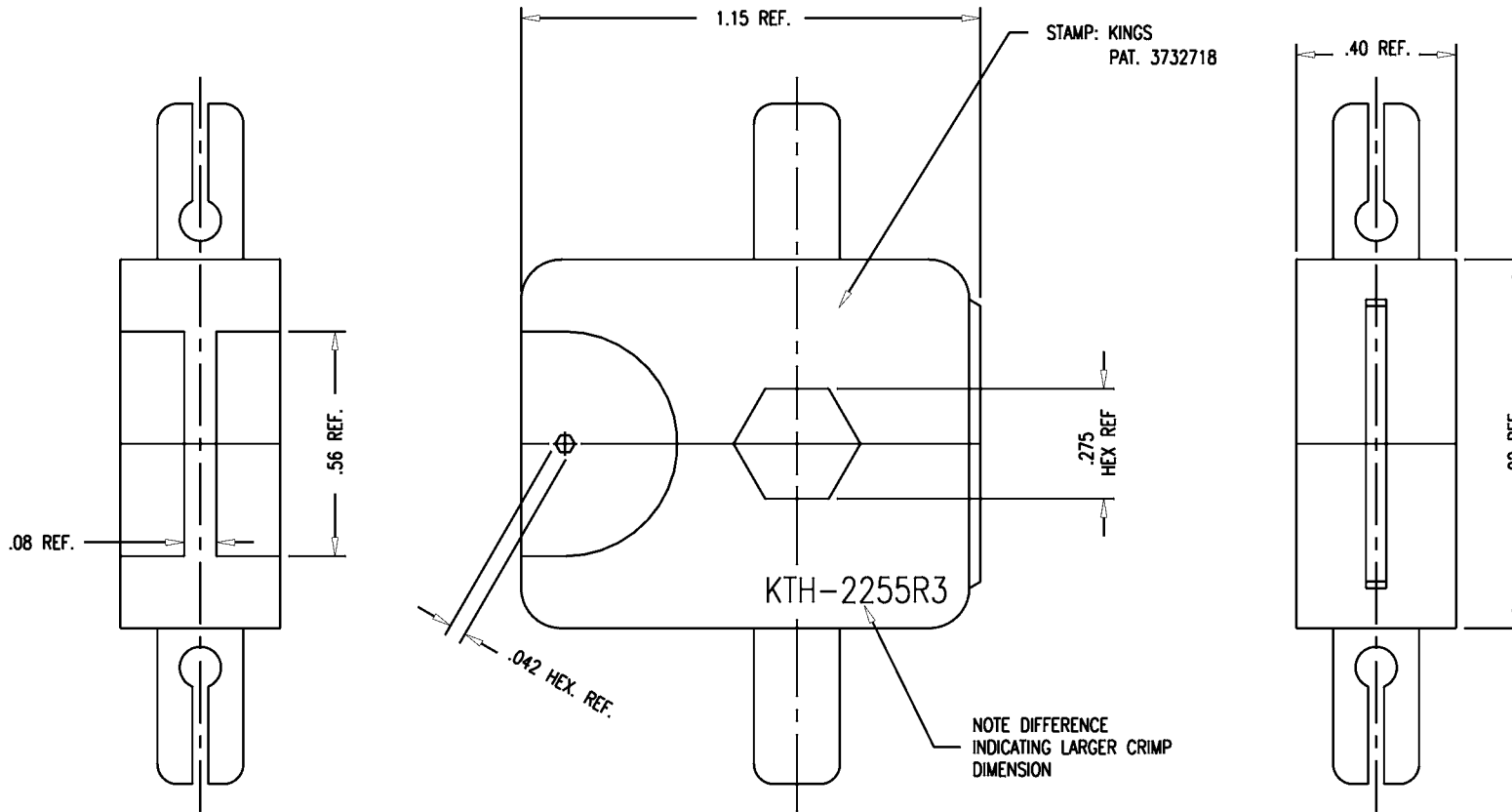


| | | |
|----------|--------|-----------|
| DASH NO. | M CODE | MADE FROM |
|----------|--------|-----------|

SD



KTH-2255

| REVISIONS | | |
|-----------|---------|---------------------|
| ISSUE | CHANGES | |
| 0 | ER VLS | 37632 06/10/98 |
| 1 | CN TML | 37802 A 03/05/99 |
| 2 | CN DCT | 38098 E 9/28/00 |
| 3 | CN DCT | 38931 A 9/18/3 |

NOTES:
1. FOR USE WITH BELDEN 1694A CABLE.

| | | |
|---------------------|-----------|---------------|
| SCALE | 3:1 | |
| APPROX SURFACE AREA | | |
| USED ON | 2065-10-9 | |
| REF: | | |
| CRIMP DIE | | |
| DRAWN | VLS | DATE 06/10/98 |
| DESIGN | VLS | DATE 06/10/98 |
| APPR. | VLS | DATE 06/10/98 |

KINGS
ELECTRONICS CO., INC.
ROCK HILL, SOUTH CAROLINA 29730

KTH-2255

SD