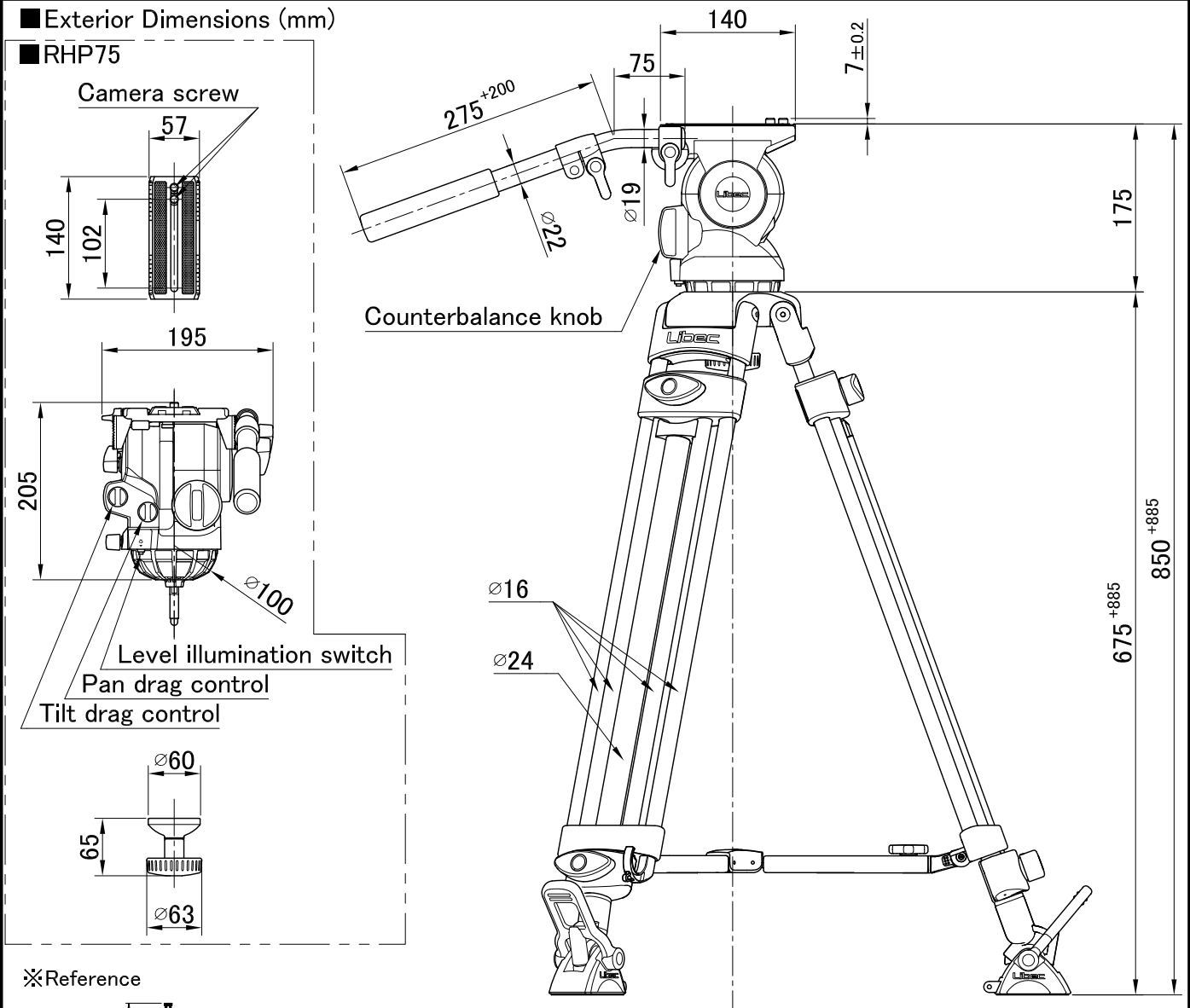


System	RHP75 (Head) + RT50B (Tripod) + BR-6B (Mid-level spreader) + FP-2B (Large rubber feet) + RC-70 (Carrying case)		
Payload	17 kg / 37.5 lb	Tilt angle	+90° / -70° (Limited to ±40° with maximum counterbalance)
Weight	7.8 kg / 17.2 lb	Pan angle	360°
Height	① H: 1735 mm W: 900 mm (※Reference)	Counterbalance	Range : 5.5~14 kg / 12~31 lb (CG125mm)
	② H: 850 mm W: 670 mm ( " )		System : Continuous
Folded length	③ L: 915 mm ( " )	Drag mode	7 STEP
Camera plate (Sliding range)	Sliding plate ±55 mm / 2.2"	Ball diameter	∅100 mm
Plate attachment (Screw sliding range)	Type : 3/8-16UNC × 2	Section	2STAGE ( Material : Carbon )
	102 mm / ±4"	Tripod fixation	Fixing lock knob
Spare screw	Type : 3/8-16UNC × 1	Spreader	BR-6B ( Telescopic, Removable )
	Equipped on the head ( Behind the platform of sliding plate )	Pan handle	PH-8B
		Case material	Nylon , Polyester , TPE , PE , PP

### Remarks

### ■ Exterior Dimensions (mm)

#### ■ RHP75



※Reference

