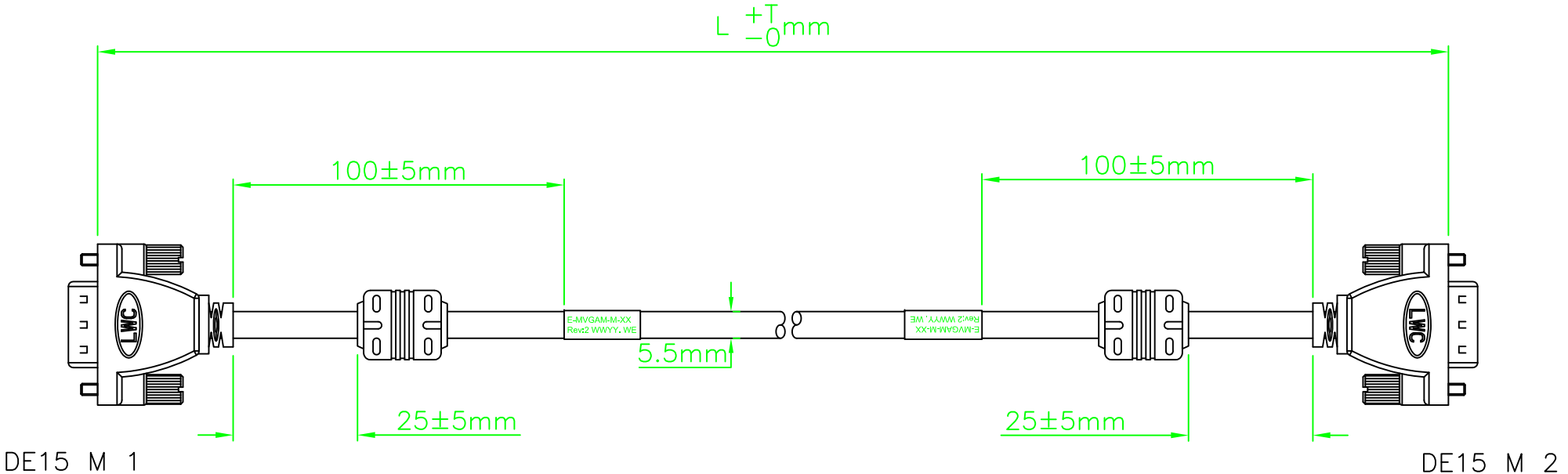


REV	DESCRIPTION	DATE
0	ISSUE	12/14/04
1	REV P/N	02/16/05
2	ADD Prod Label	07/21/08



E-MVGAM-M-50	15240	75
E-MVGAM-M-25	7620	50
E-MVGAM-M-12	3658	35
E-MVGAM-M-6	1830	30
E-MVGAM-M-3	915	20
P/N.	L(mm)	T(mm)

Regulatory Certification(s):  
 UL rated AWM 20276 30V 80°C  
 CSA rated AWM II A/B 150V FT1 80°C  
 EU RoHS 2002/95/EC Compliant

Performance:  
 Revision 2 and up:  
 VESA EDID and ID/DDC Compliant  
 1920x1200 @ 60 Hz to 25 feet  
 1024x768 @ 60 Hz to 50 feet

LIBERTY AV SOLUTIONS  
 11675 RIDGELINE DRIVE  
 COLORADO SPRINGS, CO 80921

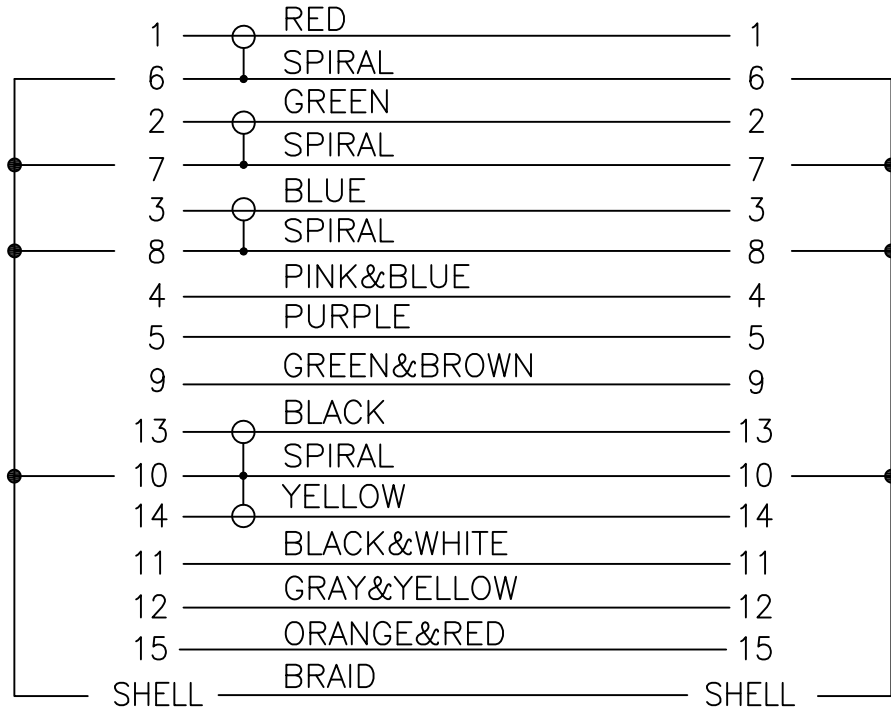
WWW.LIBAV.COM  
 (800) 530-8998

UNIT: mm	TITLE: Assembly Specification CBL, ASY, VGA, PVC
SCALE: None	PART NUMBER: E-MVGAM-XX
UNLESS OTHERWISE SPECIFIED TOLERANCES: x ±.015 xx ±.010 xxx ±.005 ANGLE ± 1°	DR. RP CH. RP AP. RP
SHEET 1/2	DWG. #: LWC-ASY-00110

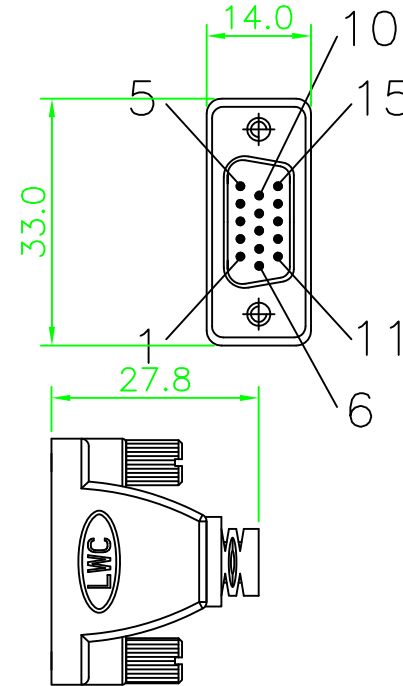
PIN OUT

REV	DESCRIPTION	DATE
0	ISSUE	12/14/04
1	REV P/N	02/16/05
2	ADD Prod Label	07/21/08

DE15 M 1 ————— DE15 M 2



Mold Dimensions (mm)



LIBERTY AV SOLUTIONS WWW.LIBAV.COM  
 11675 RIDGELINE DRIVE (800) 530-8998  
 COLORADO SPRINGS, CO 80921

	UNIT:mm	TITLE: Assembly Specification CBL, ASY, VGA, PVC	
SCALE	None		
UNLESS OTHERWISE SPECIFIED TOLERANCES: x ±.015 xx ±.010 xxx ±.005 ANGLE ± 1°	PART NUMBER:	DR.	RP
	E-MVGAM-XX	CH.	RP
SHEET 2/2	DWG. #:	AP.	RP
	LWC-ASY-00110		