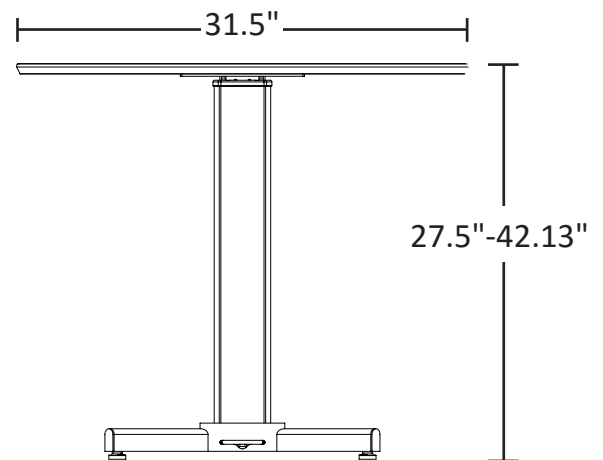
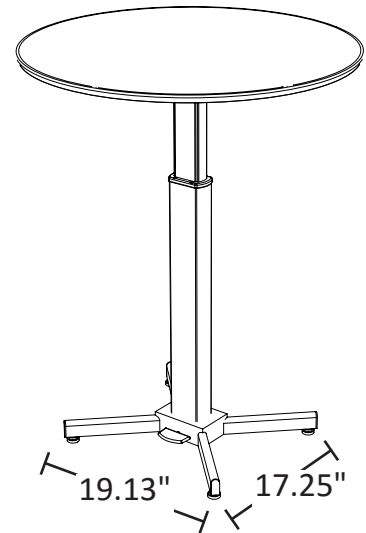


PNEUMATIC HEIGHT ADJUSTABLE TABLE

Product Specifications

Item Number	LX-PNADJ-ROUND
Dimensions	31.5" Diameter x 27.5"-42"H
Item Weight	27.9 lbs
Leg/Base Make	Powder Coated Steel
Base Dimensions	19.13"W x 17.25"D
Height Expansion Make	Aluminum
Tabletop Make	Medium Density Fiberboard (MDF) with Rubber Trim
Tabletop Dimensions	31.5" diameter x 0.7"D
Height Adjustment Mechanism	Pneumatic Gas Foot Pedal
Height Adjustment Increments	Any Height Between 27.5"-42"H
Weight Capacity	100 lbs
Shipping Method	Ground
Shipping Carton Dims	39"W x 33"D x 3"H
Shipping Weight	34 lbs
Assembly Required	Yes



**To Order, Call Your
Sales Representative
or 800-323-4656**