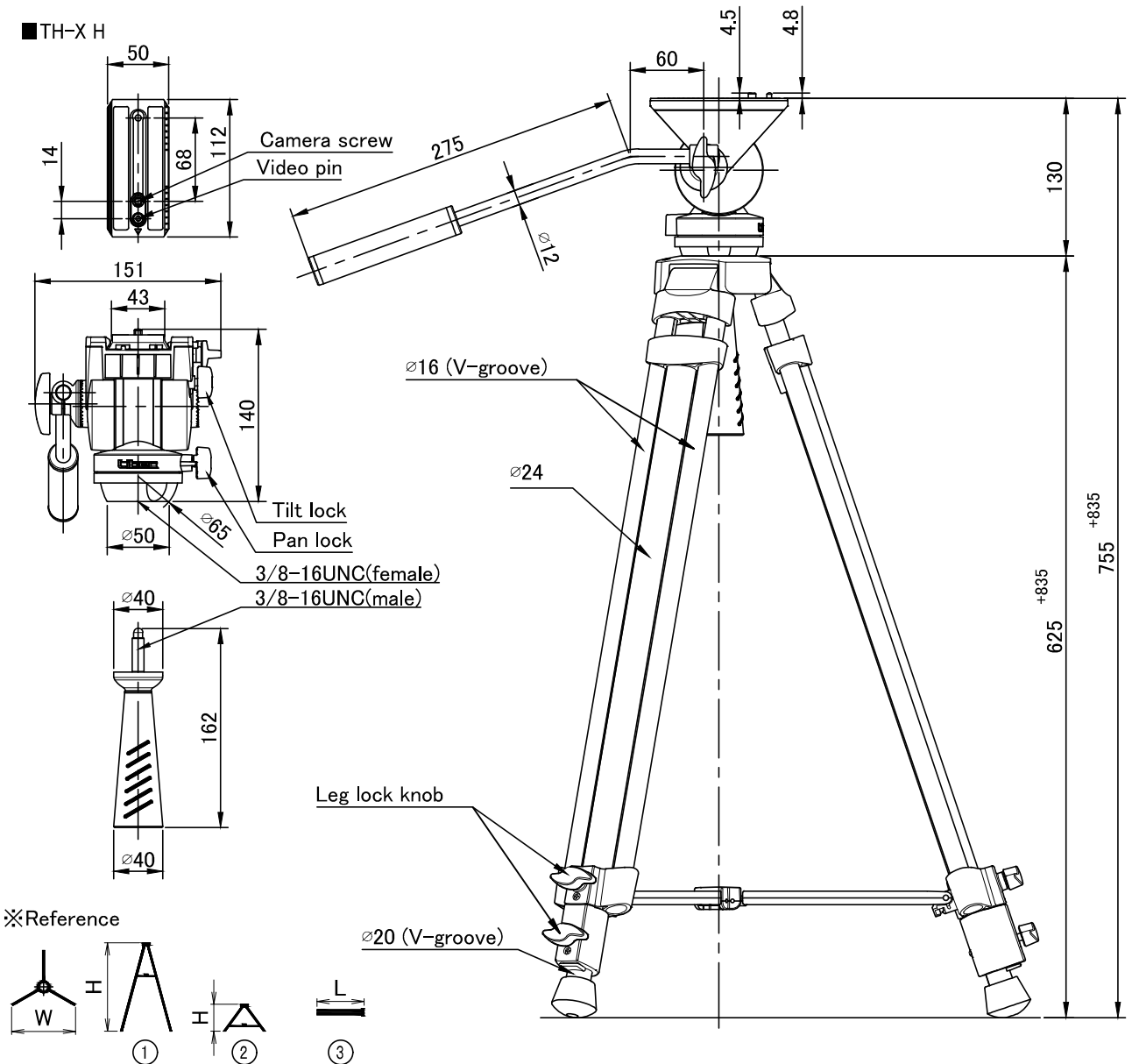


System	TH-X H (Head) + TH-X T (Tripod) + TH-X Carrying case		
Payload	4 kg / 9 lb	Tilt angle	+90° / -80°
Weight	3.1kg / 6.9 lb	Pan angle	360°
Height	① H : 1590 mm W : 935 mm (※Reference)	Counterbalance	FIX
	② H : 755 mm W : 445 mm (")		---
Folded length	③ L : 785 mm (")	Drag mode	FIX
Camera plate (Sliding range)	Sliding plate	Head base	Ball $\varnothing 65$ mm / Flat base with 3/8" female thread
	± 30 mm / ± 1.2 "	Section	2 STAGE
Plate attachment (Screw sliding range)	1/4-20UNC screw with video pin	Tripod fixation	Fixing lock knob
	68 mm / 2.7"	Spreader	Mid-level spreader(Non-telescopic) *Unremovable
Spare screw	None	Pan handle	Unique pan handle (Non-telescopic)
	---	Case material	Nylon, Polyester, TPE, PE, PP, POM

Remarks

■ Exterior Dimensions (mm)

■ TH-X H



※Reference

