

D & TD Series

DRAWERS

have a fully enclosed top and generous inside dimensions measuring 15-7/8" wide by 14-1/2" deep

FEATURES:

- Full extension ball bearing slides extend 14"
- Attractive flush spring latch to keep drawer closed
- Keylock option for security, factory-installed
- Rear grommet for cable entry and protection on 2, 3 and 4 space models
- No-slip drawer mat keeps equipment safe in 2, 3 and 4 space models
- Inside dimensions 15-7/8" wide x 14" deep
- Storage height is 1/2" less than overall height
- Choice of two finishes: black brushed and anodized, black textured powder coat
- Five sizes available
- 50 lb. weight capacity
- UL Listed in the US and Canada



TD8FLK
includes file hanging kit
and installed keylock



D4 (shown with
DCDP partition)

SPECIFICATIONS:

EIA compliant 19" rackmount drawer shall be Middle Atlantic Products model # DX or TDX (X = # of rackspaces required, refer to chart). Drawer shall have an overall height of __" (refer to chart), and useable depth of 14-1/2". Drawer base shall be 20-gauge steel, top and sides shall be 16-gauge steel. Drawer faceplate shall be .090" thick aluminum with a __ (black brushed & anodized or black textured powder coat) finish (refer to chart). Drawer shall use full extension, ball bearing slides. Grommet shall be provided for safely passing cables through the cable entry point at the rear of the drawer on 2, 3 and 4 space models. 2, 3 and 4 space drawers shall include a no-slip drawer mat. Drawer shall have a 50 lb. weight capacity. Drawer shall be warrantied to be free from defects in materials or workmanship under normal use and conditions for a period of three years. Drawer shall be UL Listed in the US and Canada. Drawer shall be RoHS EU Directive 2011/65/ EU compliant. Drawer shall be manufactured by an ISO 9001 and ISO 14001 registered company.

Customizable specification clips available at middleatlantic.com

EIA/TIA COMPLIANT



OPTIONS:

- | PART # | FITS: | ACCOMMODATES: |
|--------|---------|---|
| DCDP | D4, TD4 | 103 Compact Discs |
| DVDP | D4, TD4 | 40 DVDs; PS3, Xbox 360TM, WiiTM games; Blu-ray, HD-DVD, DVD-Audio media |
- Keylock option - add a keylock to any D or TD drawer, model # LK
 - Pick-and-pluck foam insert keeps tools and equipment in place and safe from damage. Available for 2, 3 and 4 space drawers, model # FI-2, FI-3 and FI-4

WHAT GREAT SYSTEMS ARE BUILT ON.™

A brand of legrand



Middle Atlantic Products
middleatlantic.com | middleatlantic.ca

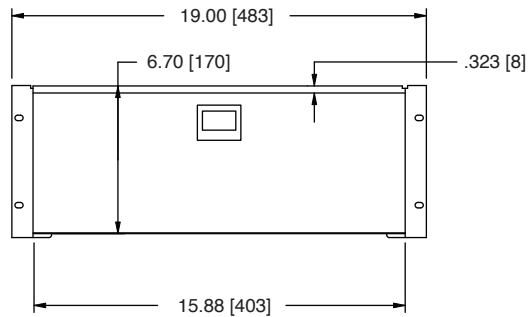
96-006 / rev d / 9-6-17

D & TD Series

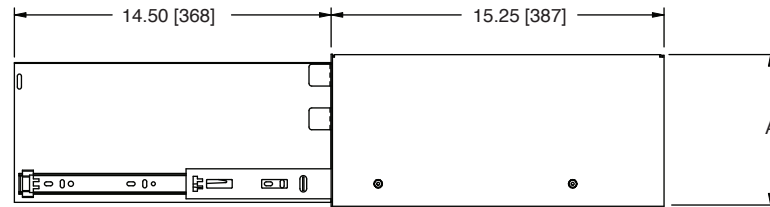
BASIC DIMENSIONS

All dimensions in inches unless otherwise noted [All dimensions in brackets are millimeters]

FRONT VIEW



SIDE VIEW



Part #	A Racking Height/ Rackspaces	Finish
D2	3.50 [89] / 2 SP	black brushed & anodized
D3	5.25 [133] / 3 SP	
D4	7.00 [178] / 4 SP	
D5	8.75 [222] / 5 SP	
TD2	3.50 [89] / 2 SP	black textured power coat
TD3	5.25 [133] / 3 SP	
TD4	7.00 [178] / 4 SP	
TD5	8.75 [222] / 5 SP	
TD8FLK*	14.00 [356] / 8 SP	

*includes file hanging kit and installed keylock

