

GRK Series

broadcast rack

versatile welded gangable rack features superior construction

features:

- Solid frame top and bottom for more robust construction
- 1,500 lb. weight capacity
- Horizontal cable management bars for tie-and-slide lacing
- Allows straight vertical cable runs through fully open top and bottom
- Finished edges at top and bottom opening provide better appearance and prevent cable chafing
- Universally hinged door installs with left or right swing, front and back
- Solid and vented doors available in standard and cupboard styles
- Numbered rackspace increments simplify and speed equipment installation
- Grounding and bonding studs standard top and bottom
- Finished in a durable black textured powder coat
- UL Listed in the US and Canada



specifications:

EIA Compliant 19" equipment rack shall be Middle Atlantic Products model # GRK-XX-XXHLRD (refer to chart). Overall dimensions of GRK shall be ___" H x 22" W x ___" D with ___ useable rackspaces (refer to chart). Fully welded steel construction shall provide a 1,500 lb. weight capacity. Rackrail shall be made of steel with ___ (10-32 threaded, 12-24 threaded, cage-nut, refer to chart) holes in universal EIA spacing. Rackrail shall have numbered spaces. GRK shall be finished in a durable black textured powder coat. GRK series shall be UL Listed in the US and Canada to the UL-2416 (NWIN) Category. Rack shall be GREENGUARD GOLD Certified. GRK shall comply with the requirements of RoHS EU Directive 2011/65/EU. GRK shall be manufactured by an ISO 9001 and ISO 14001 registered company. GRK shall be warrantied to be free from defects in material or workmanship under normal use and conditions for the lifetime of the rack.

Customizable specification clips available at middleatlantic.com

EIA/TIA COMPLIANT



PRODUCT CERTIFIED FOR
LOW CHEMICAL EMISSIONS
UL.COM/GG
UL 2818

options:

- Top panels, shall be model # GRK-LVTXX (vented top), # GRK-STXX (solid top), (XX= depth of rack)
- Removable keylocked side panels shall be model # SPNG-XX-YY (XX = # of rackspace, YY = depth of rack)
- Front & Rear doors shall be model # GFRD-XX (solid), GCFRD-XX (cupboard), GLVFRD-XX (large perf vented), GCLVFRD-XX (cupboard large perf vented) (XX = # of rackspace)
- Skirted caster base shall be model CBS-GRK-XX (xx = depth of rack) and have a 1,300 lb. weight capacity
- Fully welded, 4" riser bases shall be model # RIB-X-GRK-XXB (refer to chart)
- Vertical cable chase organizer shall be model # GCC-XX-YY (XX = # of rackspace, YY = depth of rack)
- Solid copper, 1" wide buss bar shall be model # BB-GXX-1, (XX = # of rackspace)
- 1" wide vertical cable lacer strip 6-piece pack shall be model # LACE-GXX-IP, (XX = # of rackspace)
- Additional rail kit, 10-32 threaded, sold in pairs, hardware included, model # GRK-RRXX (10-32 threaded), PROGRK-RRXX (cage-nut), GRK-RRXX-1224 (12-24 threaded), GRK-RRSXX (split 10-32 threaded) (XX = # of rackspace)
- Support angles for raised floor installation shall be model # GANGLE-x (refer to chart), 11-gauge steel

what **great systems** are built on.™

A brand of **legrand**

Middle Atlantic Products

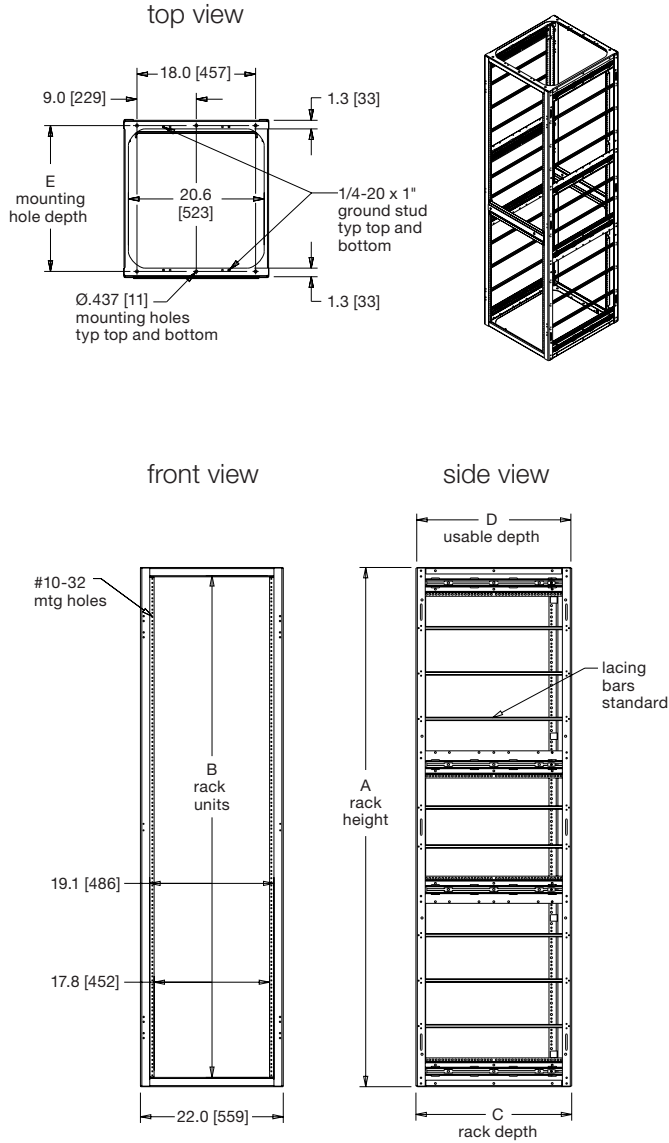
middleatlantic.com | middleatlantic.ca

96-01012 / rev I / 1-16-17

GRK Series

basic dimensions

all dimensions in inches unless otherwise noted [all dimensions in brackets are in millimeters]



Part #	A Height	B Rack Units	C Rack Depth	D Usable Depth	E MTG Hole Depth
GRK-40-24HLRD	73 [1854]	40	24.0 [609]	23.75 [603]	22.13 [562]
GRK-40-30HLRD			30.0 [762]	29.75 [756]	28.13 [714]
GRK-40-36HLRD			36.0 [914]	35.75 [908]	34.13 [867]
GRK-40-42HLRD			42.0 [1067]	41.75 [1060]	40.13 [1019]
GRK-44-24HLRD	80 [2032]	44	24.0 [609]	23.75 [603]	22.13 [562]
GRK-44-30HLRD			30.0 [762]	29.75 [756]	28.13 [714]
GRK-44-36HLRD			36.0 [914]	35.75 [908]	34.13 [867]
GRK-44-42HLRD			42.0 [1067]	41.75 [1060]	40.13 [1019]
GRK-48-24HLRD	87 [2210]	48	24.0 [609]	23.75 [603]	22.13 [562]
GRK-48-30HLRD			30.0 [762]	29.75 [756]	28.13 [714]
GRK-48-36HLRD			36.0 [914]	35.75 [908]	34.13 [867]
GRK-48-42HLRD			42.0 [1067]	41.75 [1060]	40.13 [1019]
GRK-52-24HLRD	94 [2388]	52	24.0 [609]	23.75 [603]	22.13 [562]
GRK-52-30HLRD			30.0 [762]	29.75 [756]	28.13 [714]
GRK-52-36HLRD			36.0 [914]	35.75 [908]	34.13 [867]
GRK-52-42HLRD			42.0 [1067]	41.75 [1060]	40.13 [1019]

what **great systems** are built on.™

A brand of **legrand**



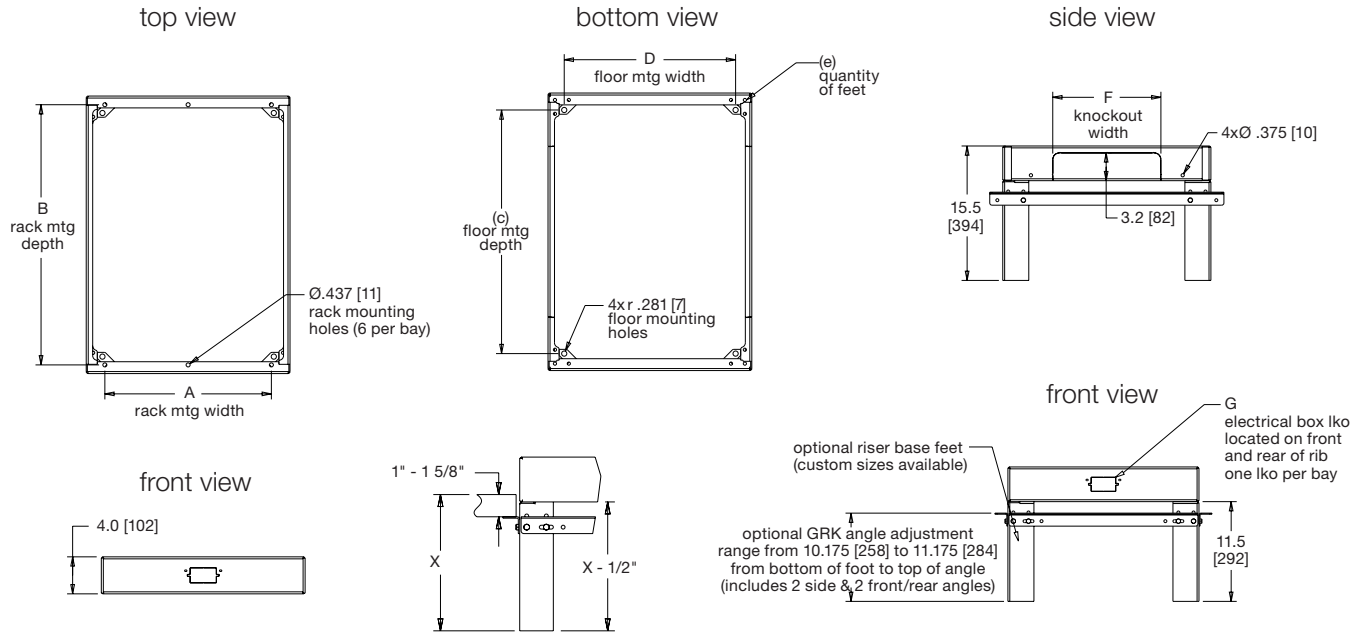
Middle Atlantic Products

middl atlantic.com | middl atlantic.ca

GRK RIB (Riser Base)

basic dimensions

all dimensions in inches unless otherwise noted [all dimensions in brackets are in millimeters]



please note: when a specific floor height is desired ("x"), custom VFEET height should be x - 1/2" (for tile between 1" & 1 5/8").

Part #	# of Bays	A Rack Mtg Width	B Rack Mtg Depth	C Floor Mtg Depth	D Floor Mtg Width	E Qty of Feet	F Knockout Width	G Electrical Box Lko Qty F/R	Optional Riserbase Feet	Optional GRK Angle Kits
RIB-1-GRK-24B	1	18.0 [457]	22.1 [562]	20.3 [517]	18.5 [471]	4	13.5 [342]	1/1	VFEET-1-12	GANGLE-1-24
RIB-1-GRK-30B	1	18.0 [457]	28.1 [714]	26.3 [669]	18.5 [471]	4	18.5 [469]	1/1	VFEET-1-12	GANGLE-1-30
RIB-1-GRK-36B	1	18.0 [457]	34.1 [867]	32.3 [821]	18.5 [471]	4	24.5 [622]	1/1	VFEET-1-12	GANGLE-1-36
RIB-1-GRK-42B	1	18.0 [457]	40.1 [1019]	38.3 [974]	18.5 [471]	4	30.5 [774]	1/1	VFEET-1-12	GANGLE-1-42
RIB-2-GRK-24B	2	40.0 [1017]	22.1 [562]	20.3 [517]	40.6 [1031]	6	13.5 [342]	2/2	VFEET-2-12	GANGLE-2-24
RIB-2-GRK-30B	2	40.0 [1017]	28.1 [714]	26.3 [669]	40.6 [1031]	6	18.5 [469]	2/2	VFEET-2-12	GANGLE-2-30
RIB-2-GRK-36B	2	40.0 [1017]	34.1 [867]	32.3 [821]	40.6 [1031]	6	24.5 [622]	2/2	VFEET-2-12	GANGLE-2-36
RIB-2-GRK-42B	2	40.0 [1017]	40.1 [1019]	38.3 [974]	40.6 [1031]	6	30.5 [774]	2/2	VFEET-2-12	GANGLE-2-42
RIB-3-GRK-24B	3	62.1 [1577]	22.1 [562]	20.3 [517]	62.6 [1590]	8	13.5 [342]	3/3	VFEET-3-12	GANGLE-3-24
RIB-3-GRK-30B	3	62.1 [1577]	28.1 [714]	26.3 [669]	62.6 [1590]	8	18.5 [469]	3/3	VFEET-3-12	GANGLE-3-30
RIB-3-GRK-36B	3	62.1 [1577]	34.1 [867]	32.3 [821]	62.6 [1590]	8	24.5 [622]	3/3	VFEET-3-12	GANGLE-3-36
RIB-3-GRK-42B	3	62.1 [1577]	40.1 [1019]	38.3 [974]	62.6 [1590]	8	30.5 [774]	3/3	VFEET-3-12	GANGLE-3-42
RIB-4-GRK-24B	4	84.4 [2143]	22.1 [562]	20.3 [517]	84.6 [2150]	10	13.5 [342]	4/4	VFEET-4-12	GANGLE-4-24
RIB-4-GRK-30B	4	84.4 [2143]	28.1 [714]	26.3 [669]	84.6 [2150]	10	18.5 [469]	4/4	VFEET-4-12	GANGLE-4-30
RIB-4-GRK-36B	4	84.4 [2143]	34.1 [867]	32.3 [821]	84.6 [2150]	10	24.5 [622]	4/4	VFEET-4-12	GANGLE-4-36
RIB-4-GRK-42B	4	84.4 [2143]	40.1 [1019]	38.3 [974]	84.6 [2150]	10	30.5 [774]	4/4	VFEET-4-12	GANGLE-4-42
RIB-5-GRK-24B	5	106.2 [2696]	22.1 [562]	20.3 [517]	106.7 [2710]	12	13.5 [342]	5/5	VFEET-5-12	GANGLE-5-24
RIB-5-GRK-30B	5	106.2 [2696]	28.1 [714]	26.3 [669]	106.7 [2710]	12	18.5 [469]	5/5	VFEET-5-12	GANGLE-5-30
RIB-5-GRK-36B	5	106.2 [2696]	34.1 [867]	32.3 [821]	106.7 [2710]	12	24.5 [622]	5/5	VFEET-5-12	GANGLE-5-36
RIB-5-GRK-42B	5	106.2 [2696]	40.1 [1019]	38.3 [974]	106.7 [2710]	12	30.5 [774]	5/5	VFEET-5-12	GANGLE-5-42

what great systems are built on.™

A brand of **legrand**



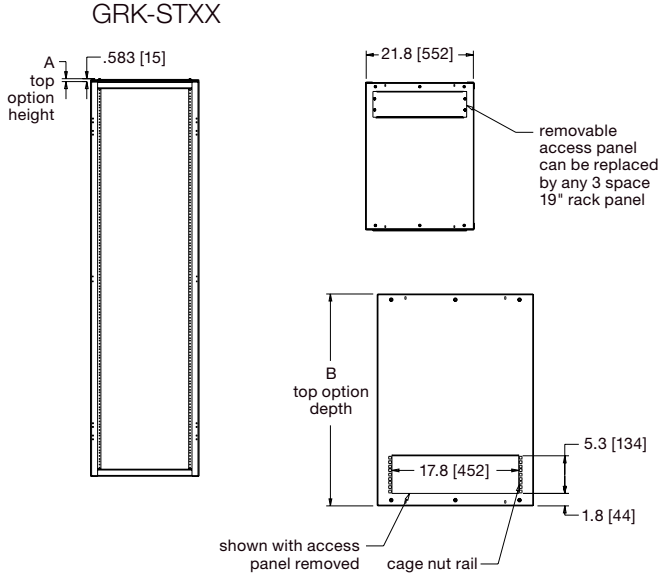
Middle Atlantic Products

middleatlantic.com | middleatlantic.ca

GRK Top Options & Accessories

basic dimensions

all dimensions in inches unless otherwise noted [all dimensions in brackets are in millimeters]



Part #	A Top Option Height	B) Top Option Depth	Vented	% Open Area
GRK-ST24	.5 [14]	23.7 [603]	no	-
GRK-ST30	.5 [14]	29.7 [755]	no	-
GRK-ST36	.5 [14]	35.7 [908]	no	-
GRK-ST42	.5 [14]	41.7 [1059]	no	-
GRK-LVT24	.5 [14]	23.7 [603]	yes	64%
GRK-LVT30	.5 [14]	29.7 [755]	yes	64%
GRK-LVT36	.5 [14]	35.7 [908]	yes	64%
GRK-LVT42	.5 [14]	41.7 [1059]	yes	64%

Additional Rackrail				
Part #	Style	Pieces of Rackrail	A Rackrail Length	Fits
PROGRK-RR40	cagenut	2	70.0 [1778]	GRK-40-XXHLRD
PROGRK-RR44		2	77.0 [1956]	GRK-44-XXHLRD
PROGRK-RR48		2	84.0 [2133]	GRK-48-XXHLRD
PROGRK-RR52		2	91.0 [2311]	GRK-52-XXHLRD
GRK-RR40-1224	12-24 tapped	2	70.0 [1778]	GRK-40-XXHLRD
GRK-RR44-1224		2	77.0 [1956]	GRK-44-XXHLRD
GRK-RR48-1224		2	84.0 [2133]	GRK-48-XXHLRD
GRK-RR52-1224		2	91.0 [2311]	GRK-52-XXHLRD
GRK-RR-S40	split 10-32 tapped	4	70.0 [1778]	GRK-40-XXHLRD
GRK-RR-S44		4	77.0 [1956]	GRK-44-XXHLRD
GRK-RR-S48		4	84.0 [2133]	GRK-48-XXHLRD
GRK-RR-S52		4	91.0 [2311]	GRK-52-XXHLRD
GRK-RR40	10-32 tapped	2	70.0 [1778]	GRK-40-XXHLRD
GRK-RR44		2	77.0 [1956]	GRK-44-XXHLRD
GRK-RR48		2	84.0 [2133]	GRK-48-XXHLRD
GRK-RR52		2	91.0 [2311]	GRK-52-XXHLRD

Accessories			
Part #	Description	Fits	Qty
BB-G40-1	solid copper buss bar, 40 space (70") flat, threaded 10-32, 1"x1/8"	GRK-40-XXHLRD	1
BB-G44-1	solid copper buss bar, 44 space (77") flat, threaded 10-32, 1"x1/8"	GRK-44-XXHLRD	1
BB-G48-1	solid copper buss bar, 48 space (84") flat, threaded 10-32, 1"x1/8"	GRK-48-XXHLRD	1
BB-G52-1	solid copper buss bar, 52 space (91") flat, threaded 10-32, 1"x1/8"	GRK-52-XXHLRD	1
LACE-G40-1P	40 space (70"), 1" width cable lacer strip, 6 pieces	GRK-40-XXHLRD	6
LACE-G44-1P	44 space (77"), 1" width cable lacer strip, 6 pieces	GRK-44-XXHLRD	6
LACE-G48-1P	48 space (84"), 1" width cable lacer strip, 6 pieces	GRK-48-XXHLRD	6
LACE-G52-1P	52 space (91"), 1" width cable lacer strip, 6 pieces	GRK-52-XXHLRD	6
GRK-ISO	isolation kit for GRK	all GRK sizes	1

what great systems are built on.™

A brand of **legrand**



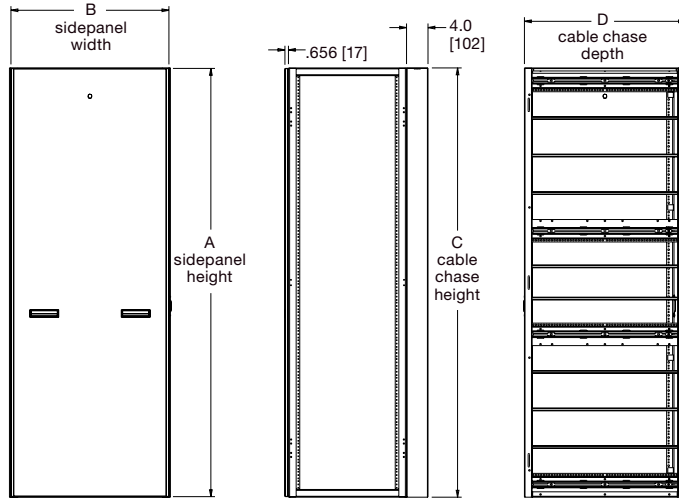
Middle Atlantic Products

middleatlantic.com | middleatlantic.ca

GRK Side Panels & Cable Chase

basic dimensions

all dimensions in inches unless otherwise noted [all dimensions in brackets are in millimeters]



Sidepanels			
Part #	A Sidepanel Height	B Sidepanel Width	Fits
SPNG-40-24	72.8 [1849]	23.4 [595]	GRK-40-24HLRD
SPNG-40-30	72.8 [1849]	29.4 [747]	GRK-40-30HLRD
SPNG-40-36	72.8 [1849]	35.4 [900]	GRK-40-36HLRD
SPNG-40-42	72.8 [1849]	41.4 [1052]	GRK-40-42HLRD
SPNG-44-24	79.8 [2027]	23.4 [595]	GRK-44-24HLRD
SPNG-44-30	79.8 [2027]	29.4 [747]	GRK-44-30HLRD
SPNG-44-36	79.8 [2027]	35.4 [900]	GRK-44-36HLRD
SPNG-44-42	79.8 [2027]	41.4 [1052]	GRK-44-42HLRD
SPNG-48-24	86.8 [2205]	23.4 [595]	GRK-48-24HLRD
SPNG-48-30	86.8 [2205]	29.4 [747]	GRK-48-30HLRD
SPNG-48-36	86.8 [2205]	35.4 [900]	GRK-48-36HLRD
SPNG-48-42	86.8 [2205]	41.4 [1052]	GRK-52-42HLRD
SPNG-52-24	46.9 [1191]	23.4 [595]	GRK-52-24HLRD
SPNG-52-30	46.9 [1191]	29.4 [747]	GRK-52-30HLRD
SPNG-52-36	46.9 [1191]	35.4 [900]	GRK-52-36HLRD
SPNG-52-42	46.9 [1191]	41.4 [1052]	GRK-52-42HLRD

Cable Chase			
Part #	C Cable Chase Height	D Cable Chase Width	Fits
GCC-40-24	73.0 [1854]	24.0 [609]	GRK-40-24HLRD
GCC-40-30	73.0 [1854]	30.0 [762]	GRK-40-30HLRD
GCC-40-36	73.0 [1854]	36.0 [914]	GRK-40-36HLRD
GCC-40-42	73.0 [1854]	42.0 [1067]	GRK-40-42HLRD
GCC-44-24	80.0 [2032]	24.0 [609]	GRK-44-24HLRD
GCC-44-30	80.0 [2032]	30.0 [762]	GRK-44-30HLRD
GCC-44-36	80.0 [2032]	36.0 [914]	GRK-44-36HLRD
GCC-44-42	80.0 [2032]	42.0 [1067]	GRK-44-42HLRD
GCC-48-24	87.0 [2210]	24.0 [609]	GRK-48-24HLRD
GCC-48-30	87.0 [2210]	30.0 [762]	GRK-48-30HLRD
GCC-48-36	87.0 [2210]	36.0 [914]	GRK-48-36HLRD
GCC-48-42	87.0 [2210]	42.0 [1067]	GRK-52-42HLRD
GCC-52-24	94.0 [2388]	24.0 [609]	GRK-52-24HLRD
GCC-52-30	94.0 [2388]	30.0 [762]	GRK-52-30HLRD
GCC-52-36	94.0 [2388]	36.0 [914]	GRK-52-36HLRD
GCC-52-42	94.0 [2388]	42.0 [1067]	GRK-52-42HLRD

Note: 52 space sidepanels have 2 pieces per side

what **great systems** are built on.™

A brand of **legrand**

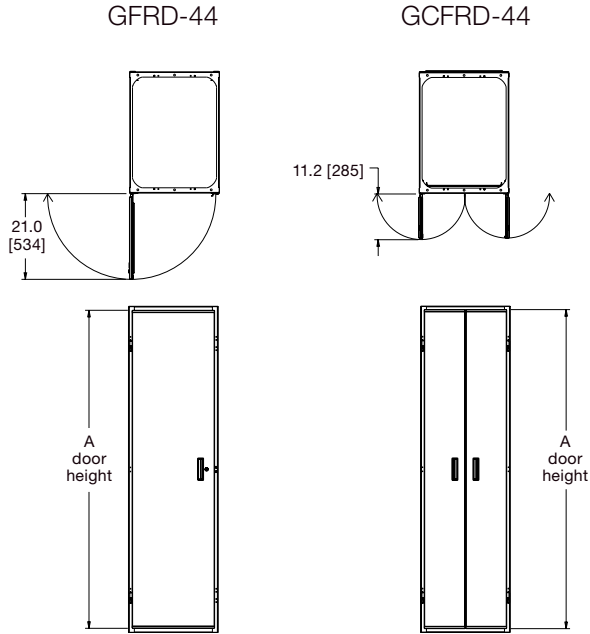
Middle Atlantic Products

middleatlantic.com | middleatlantic.ca

GRK Doors

basic dimensions

all dimensions in inches unless otherwise noted [all dimensions in brackets are in millimeters]



Note: minimum door opening clearance

Doors				
Part #	Style	A Door Height	Fits	% Open Area
GFRD-40	solid (full)	71.0 [1803]	GRK-40-XXHLRD	-
GFRD-44		78.0 [1980]	GRK-44-XXHLRD	-
GFRD-48		85.0 [2158]	GRK-48-XXHLRD	-
GFRD-52		92.0 [2336]	GRK-52-XXHLRD	-
GCFRD-40	cupboard	71.2 [1808]	GRK-40-XXHLRD	-
GCFRD-44		78.2 [1987]	GRK-44-XXHLRD	-
GCFRD-48		85.2 [2164]	GRK-48-XXHLRD	-
GCFRD-52		92.2 [2342]	GRK-52-XXHLRD	-
GLVFRD-40	large per vented (full)	71.0 [1803]	GRK-40-XXHLRD	64%
GLVFRD-44		78.0 [1980]	GRK-44-XXHLRD	64%
GLVFRD-48		85.0 [2158]	GRK-48-XXHLRD	64%
GLVFRD-52		92.0 [2336]	GRK-52-XXHLRD	64%
GCLVFRD-40	cupboard large per vented	71.2 [1808]	GRK-40-XXHLRD	64%
GCLVFRD-44		78.2 [1987]	GRK-44-XXHLRD	64%
GCLVFRD-48		85.2 [2164]	GRK-48-XXHLRD	64%
GCLVFRD-52		92.2 [2342]	GRK-52-XXHLRD	64%

what **great systems** are built on.™

A brand of **legrand**

Middle Atlantic Products

middleatlantic.com | middleatlantic.ca