

Proximity Series

MOUNTING PLATE

sliding and fixed plate options for mounting small components behind displays

FEATURES:

- Available in a sliding design that pulls out from behind the display for easy servicing and concealment of equipment or fixed design that mounts behind monitor
- Sliding plate utilizes removable, patented Lever Lock™ plate allows for accessibility without disturbing the display
- Patented UMS pattern simplifies mounting of small devices
- Attaches directly to the wall, VDM Series Multi-Display Wall and Ceiling Mounts, C5 Monitor Mounts, and DisplayStation



PRX-SMP-15X10

SPECIFICATIONS:

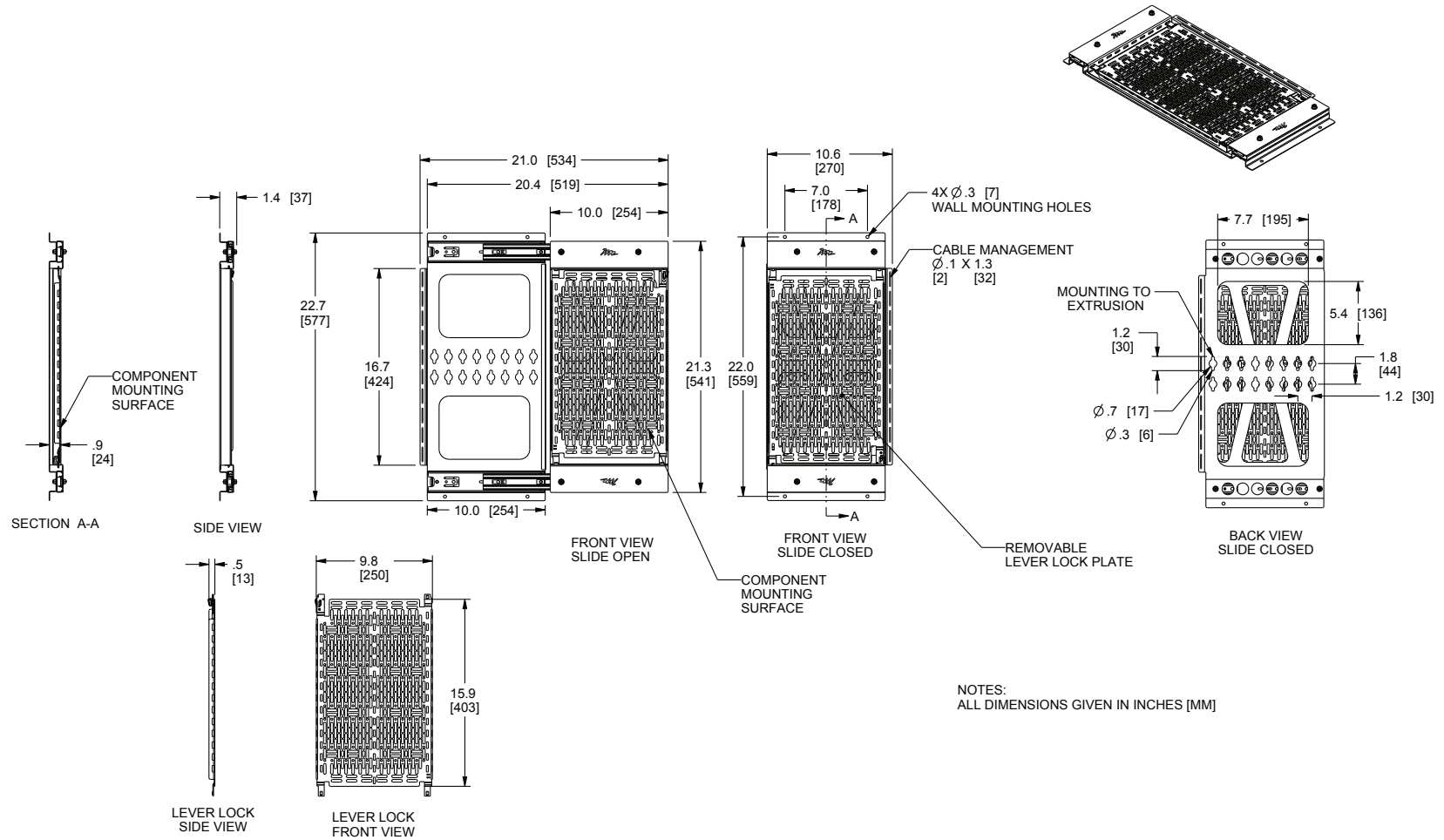
PRX Series Proximity Series Mounting Plate shall be model # PRX-__ (refer to drawing). PRX Series shall be fixed position and mount directly to VESA pattern, or sliding and mount to wall, VDM series multi-display wall and ceiling mounts, C5 monitor mounts and DisplayStation series carts, refer to drawings. PRX Series shall be __"H x __"W x __"D (refer to chart). PRX Series sliding wall plate to include removable Lever Lock plate with patented UMS small component mounting pattern. PRX Series Proximity Series Mounting Plate shall comply with the requirements of RoHS EU Directive 2011/65/EU. PRX Series Proximity Series Mounting Plate manufactured by an ISO 9001 and ISO 14001 registered company PRX Series Proximity Series Mounting Plate model PRX-MP-9X12 warranted to be free from defects in material or workmanship under normal use and conditions for the lifetime of the product, PRX-SMP-15X10 shall be warranted to be free from defects in material or workmanship under normal use and conditions for a period of three years.

Customizable specification clips available at middleatlantic.com

Proximity Series Mounting Plate

BASIC DIMENSIONS

PRX-SMP-15X10



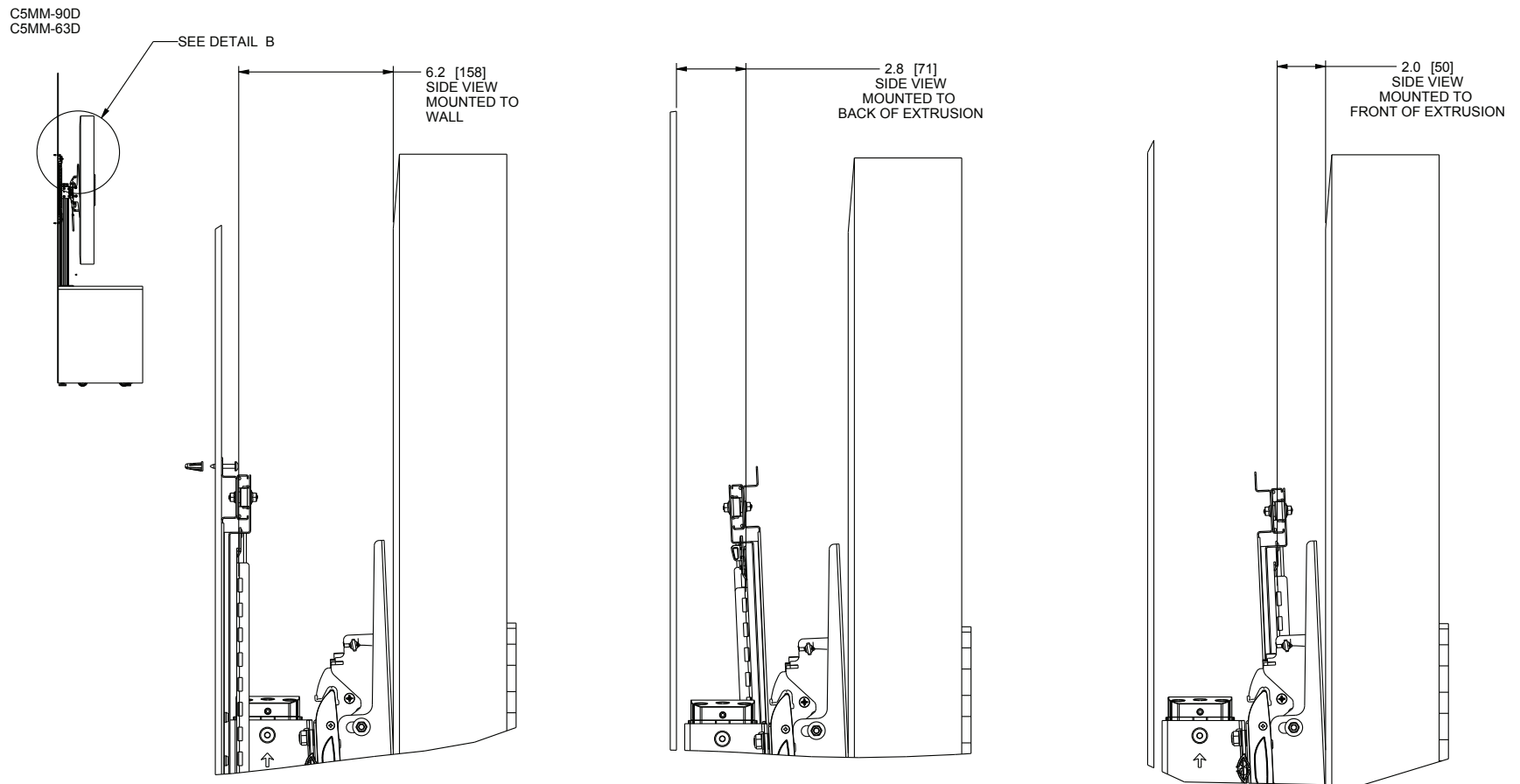
WHAT GREAT SYSTEMS ARE BUILT ON.™

A brand of **legrand**

MA
Middle Atlantic Products
middleatlantic.com | middleatlantic.ca

Proximity Series Mounting Plate

BASIC DIMENSIONS



NOTES:
1. ALL DIMENSIONS GIVEN IN INCHES [MM]

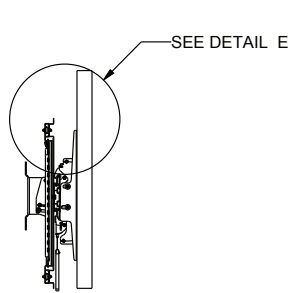
WHAT GREAT SYSTEMS ARE BUILT ON.™

A brand of **legrand**

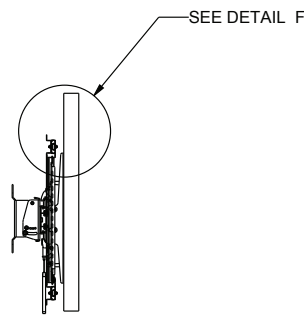
MA
Middle Atlantic Products
middleatlantic.com | middleatlantic.ca

Proximity Series Mounting Plate

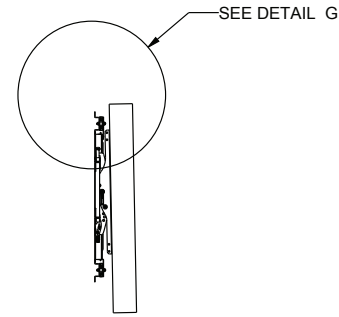
BASIC DIMENSIONS



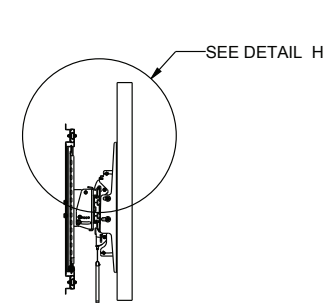
SCALE 1/16



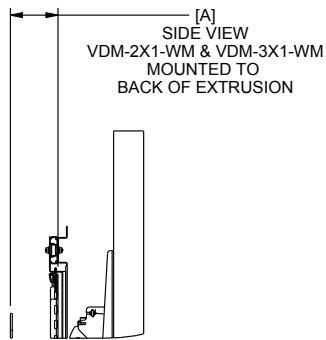
SCALE 1/16



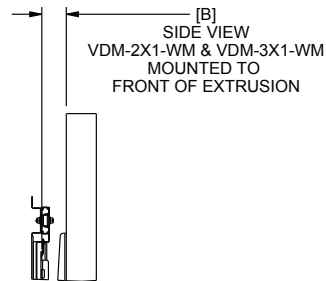
SCALE 1/16



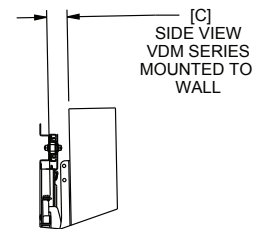
SCALE 1/16



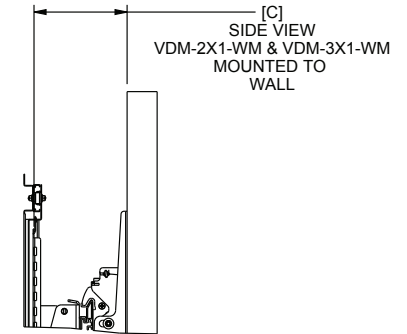
DETAIL E
SCALE 1/8



DETAIL F
SCALE 1/8



DETAIL G
SCALE 1/8



DETAIL H
SCALE 1/8

PRX-SMP-15X10 COMPATIBLE WITH:	CLEARANCE MOUNTED ON WALL [C]	CLEARANCE MOUNTED ON FRONT OF EXTRUSION [B]	CLEARANCE MOUNTED ON BACK OF EXTRUSION [A]
VDM-400-T	1.3 [33]	NA	NA
VDM-600-T	1.3 [33]	NA	NA
VDM-800-T	1.3 [33]	NA	NA
VDM-200-M	1.5 [38]	NA	NA
VDM-400-M	1.6 [41]	NA	NA
VDM-600-M	2.7 [69]	NA	NA
VDM-800-M	2.7 [69]	NA	NA
VDM-2X1-WM	6.2 [157]	1.6 [41]	3.1 [79]
VDM-3X1-WM	6.2 [157]	1.6 [41]	3.1 [79]

*DIMENSIONS SHOWN WITH MOUNTS PARALLEL ORIENTATION

NOTES:

1. ALL DIMENSIONS GIVEN IN INCHES [MM]
2. NOT COMPATIBLE WITH VDM SERIES MOUNTS NOT SHOWN IN TABLE.
3. COMPATIBLE WITH DISPLAY STATION, MOUNTS TO REAR.
4. SPACERS (NOT PROVIDED) CAN BE PLACED BETWEEN THE DISPLAY AND THE MOUNT TO INCREASE CLEARANCE.

WHAT GREAT SYSTEMS ARE BUILT ON.™

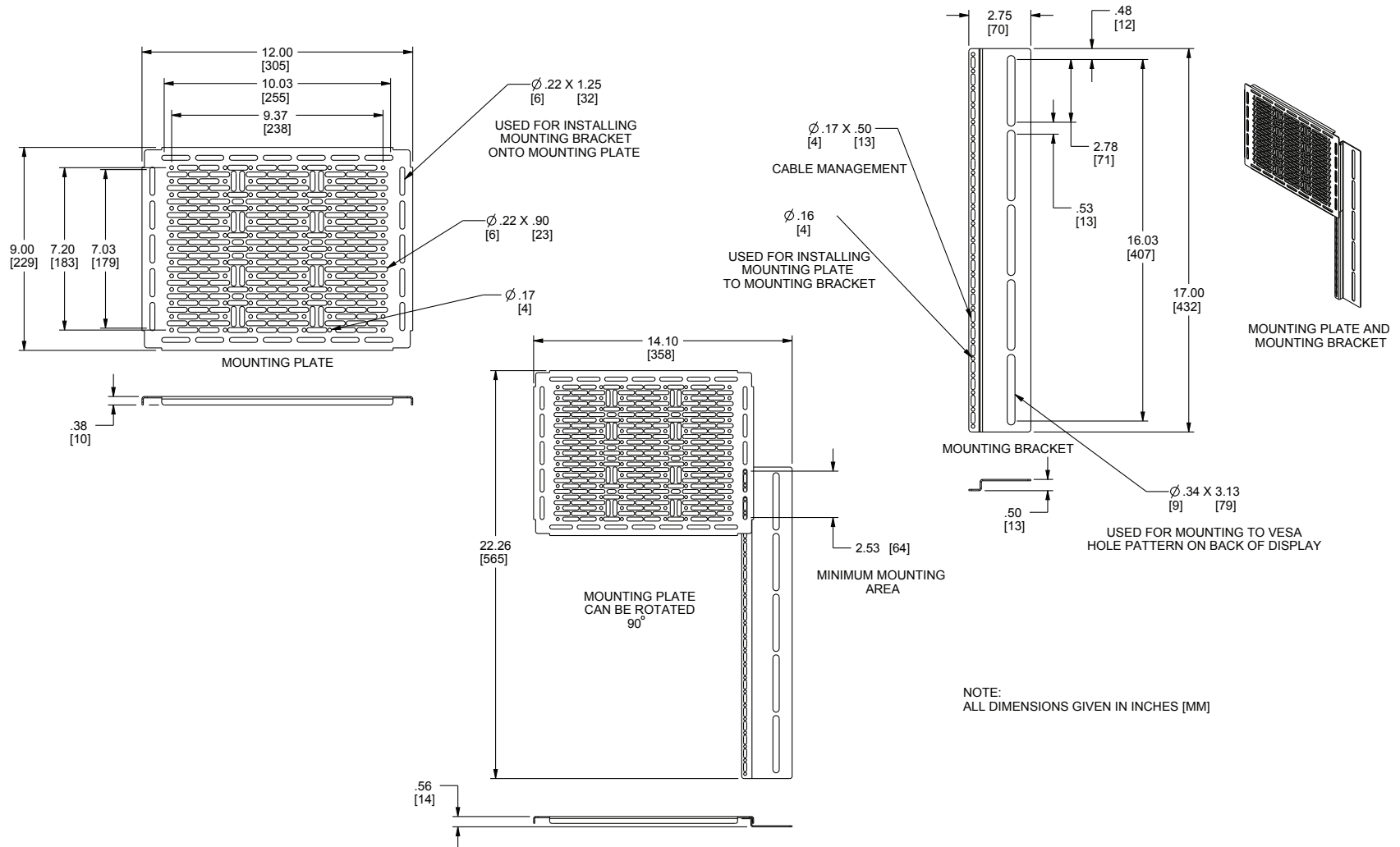
A brand of legrand

Middle Atlantic Products
middleatlantic.com | middleatlantic.ca

Proximity Series Mounting Plate

BASIC DIMENSIONS

PRX-MP-9X12



WHAT GREAT SYSTEMS ARE BUILT ON.™

A brand of **legrand**

MA
Middle Atlantic Products
middleatlantic.com | middleatlantic.ca