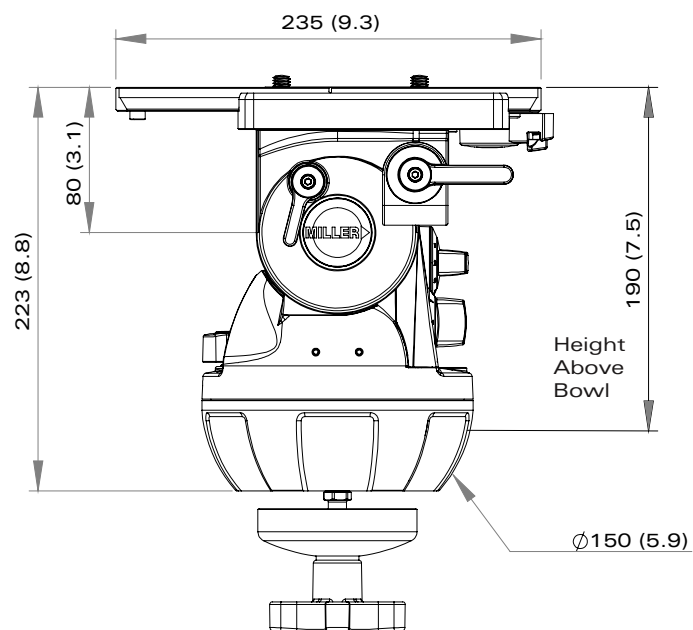
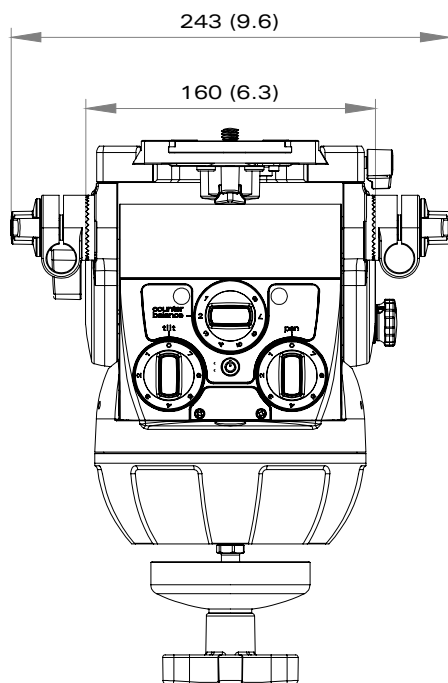




FEATURES

- 7 selectable drag positions (pan and tilt) + 0.
- 8 selectable counterbalance positions.
- Perfect for payloads to 4.5-37.5kg (9.9-82.5lbs).
- Fluid drag system with smooth start and soft stop technology and balanced diagonal transition.
- Controls "all in one location" design for fast easy and practical use.
- Unique all illuminated bubble level, pan-tilt drag and counterbalance controls.
- Precise floating pan-tilt calliper locks ensure bounce free on-off performance.
- High precision ball bearing supported pan-tilt movement.
- Quick release 120mm sliding camera platform camera plate (large euro).
- Front mount adaptor for camera assistant's accessory box.
- Robust construction for rugged outdoor shooting conditions.
- Dual telescopic pan handles.
- Dual side mounts for viewfinders and accessories.
- Three-year warranty.

The Big Picture



1050 SKYLINE 70 FLUID HEAD

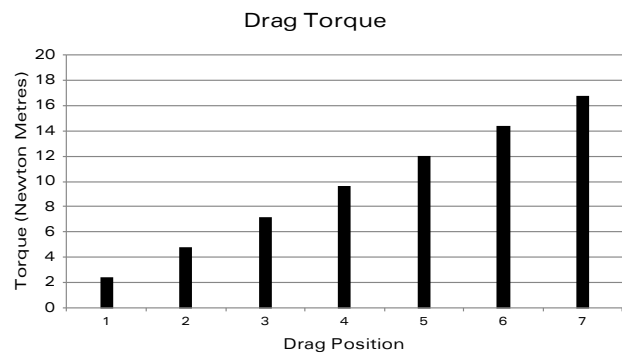
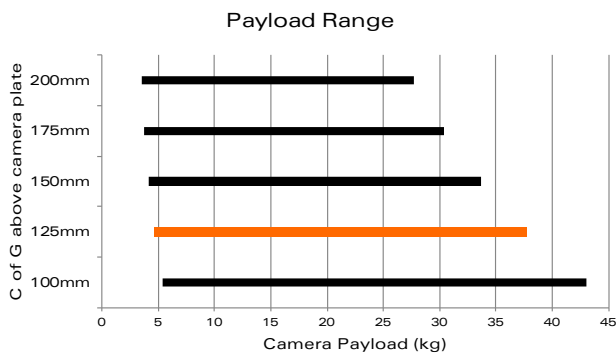
Weight:	6.1 kg (13.4 lbs)
Payload range:	4.5 - 37.5 kg (9.9 - 82.5 lbs)
Pan/tilt drag:	7 selectable fluid drag positions + 0
Counterbalance:	8 selectable positions
Pan/tilt lock:	Positive lock caliper brake system
Tilt range:	+ 90° / -75°
Pan range:	360°
Camera platform:	Quick release camera plate (Large Euro)
Sliding range:	120 mm (4.7")
Mounting base:	Ø150 mm (3.9") ball levelling
Height above bowl:	190 mm (7.5")
Illumination:	Bubble level, pan/tilt drag controls & CB controls
Pan handle:	2 x HD Telescopic 430 - 630mm (16.9 - 24.8")
Temperature range:	-40° to +65° C (-40° to +149° F)
Material:	Lightweight hi-strength diecast aluminium alloy and rigid composite polymers
Finish:	Durable black ripple (low sheen) with anti-corrosive pre-treatment
Sealing:	Water and dust resistant
Warranty:	3 Years

OPTIONAL ACCESSORIES

1223	Front box adapter
396	Skycine 70 head case
698	HD Pan handle - telescopic with clamp
1221	Accessory mounting bracket
1217	Accessory mounting adaptor
1225	Mitchell base adapter with clamp
1230	Pan handle - articulated with extender
1234	Pan handle - short grip

SPARES

P0037	3/8" camera screw
-------	-------------------



AUSTRALIA

Miller Camera Support Equipment
30 Hotham Parade
Artarmon, Sydney, NSW 2064
Australia

Quality
ISO 9001
SAI GLOBAL

P +61 2 9439 6377 F +61 2 9438 2819
sales@miller.com.au

EUROPE

Miller Fluid Heads (Europe) Ltd.
Unit 12A, Shepperton Business Park
Govett Avenue, Shepperton
Middlesex, TW17 8BA
United Kingdom

P +44 (0) 1932 222 888 F +44 (0) 1932 222 211
sales@millertripods-europe.com

USA

Miller Camera Support LLC
216 Little Falls Road (Unit 15 & 16),
Cedar Grove, New Jersey 07009
USA

P +1 (973) 857 8300 F +1 (973) 857 8188
sales@millertripods.us