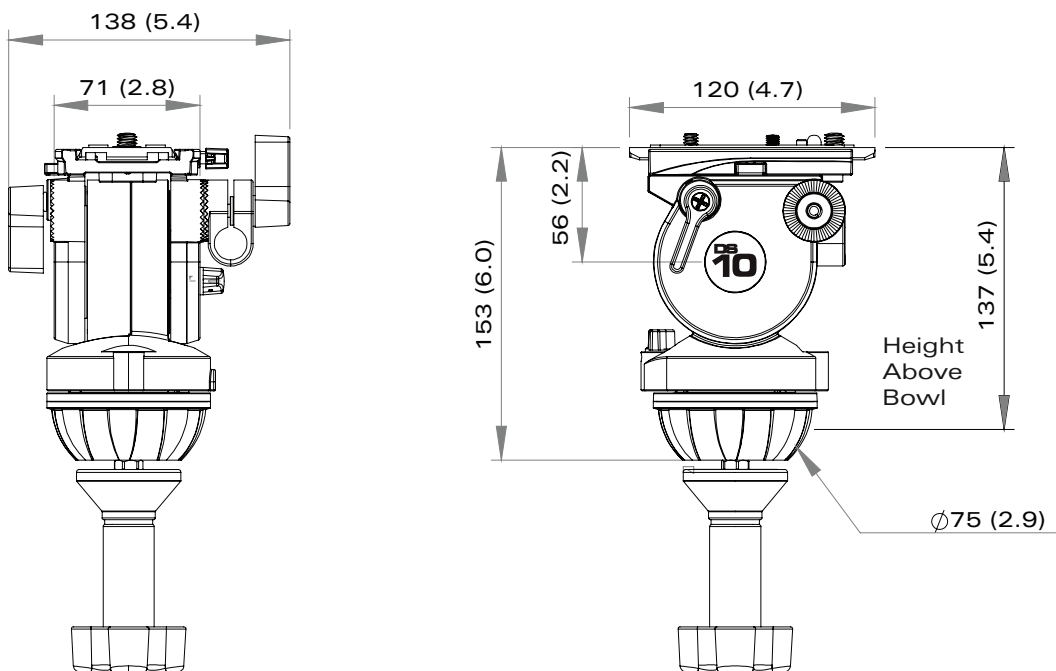




## FEATURES

- Compact, lightweight, dependable.
- 2 selectable positions of counterbalance.
- Perfect for camera payloads to 2.5-5kg (5.5-11lbs).
- Unique, reliable fluid drag technology delivering smooth starts, soft stops pans-tilt actions.
- Consistent fluid drag performance in extreme environments.
- Precision ball bearing mounted pan-tilt movement.
- Precise floating pan-tilt calliper locks ensure bounce free on-off performance.
- Quick release, 60mm balance travel camera plate with 1/4" screw + pin, 1/4" and 3/8" screws.
- Robust construction for rugged outdoor shooting conditions, built for endurance.
- Removable ball level stud for flat base mounting (Sliders) with 3/8" screw hole.
- Optional second pan handle mount.
- Three-year warranty.

The Lightweight Professional Choice



## 182 DS10 FLUID HEAD

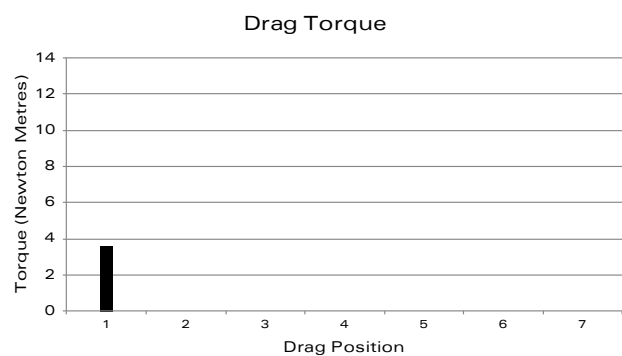
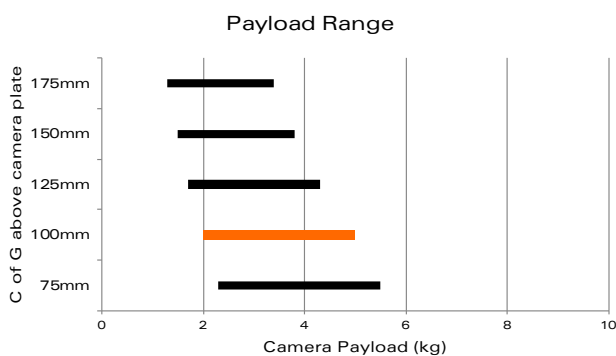
Weight:	1.5 kg (3.3 lbs)
Payload range:	2.5 - 5.0 kg (5.5 - 11.0 lbs)
Pan/tilt drag:	Fixed drag position
Counterbalance:	2 selectable positions
Pan/tilt lock:	Positive lock caliper brake system
Tilt range:	+ 90° / -75°
Pan range:	360°
Camera platform:	Sliding camera plate
Sliding range:	60 mm (2.4")
Mounting base:	Ø75 mm (2.9") ball levelling
Height above bowl:	137 mm (5.4")
Illumination:	N/A
Pan handle:	Fixed 390 mm (15.4")
Temperature range:	-40° to +65° C (-40° to +149° F)
Material:	Lightweight hi-strength diecast aluminium alloy and rigid composite polymers
Finish:	Durable grey ripple (low sheen) with anti-corrosive pre-treatment
Sealing:	Water and dust resistant
Warranty:	3 Years

## OPTIONAL ACCESSORIES

378	Ø75 - 100 tripod bowl
1204	Additional camera plate

## SPARES

P0037	3/8" camera screw
P0036	1/4" camera screw



**SAI GLOBAL**  
**Certified System**  
**THE AUSTRALIA**  
 Miller Camera Support Equipment  
 30 Hotham Parade  
 Artarmon, Sydney, NSW 2064  
 Australia  
 Quality ISO 9001  
 P +61 2 9439 6377 F +61 2 9438 2819  
 sales@miller.com.au

**EUROPE**  
 Miller Fluid Heads (Europe) Ltd.  
 Unit 12A, Shepperton Business Park  
 Govett Avenue, Shepperton  
 Middlesex, TW17 8BA  
 United Kingdom  
 P +44 (0) 1932 222 888 F +44 (0) 1932 222 211  
 sales@millertripods-europe.com

**USA**  
 Miller Camera Support LLC  
 216 Little Falls Road (Unit 15 & 16),  
 Cedar Grove, New Jersey 07009  
 USA  
 P +1 (973) 857 8300 F +1 (973) 857 8188  
 sales@millertripods.us