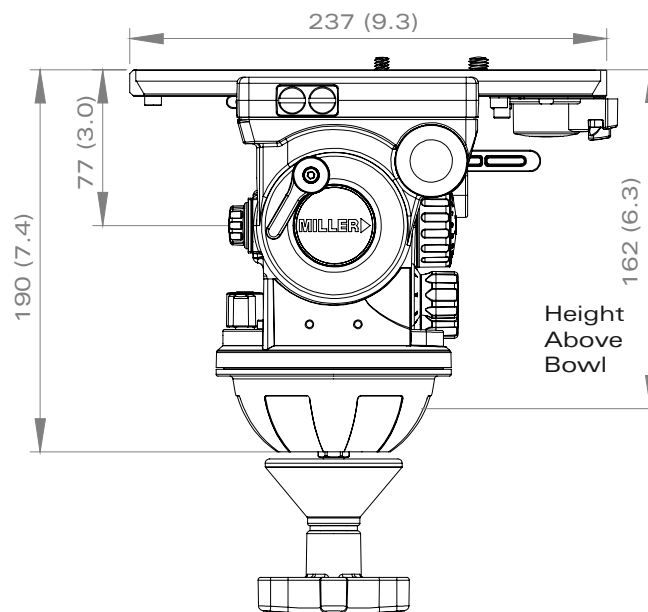
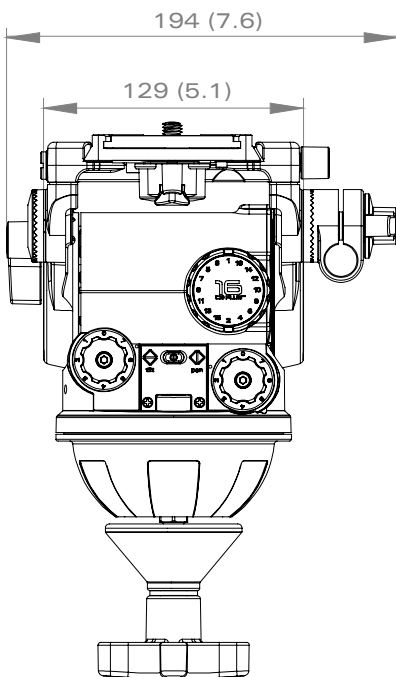




FEATURES

- Wide payload range 6-25kg (13.2-55.1lbs).
- 7 selectable drag positions (pan and tilt) + 0.
- 16 position CB Plus™ counterbalance system.
- Quick release, 120mm sliding camera platform with standard camera plate (euro).
- Fluid drag system with smooth start and soft stop technology & balanced diagonal transitions.
- Controls “all in one location” design for fast, easy and practical use.
- Illuminated bubble level and pan-tilt drag controls.
- Precise floating pan-tilt calliper locks ensure bounce free on-off performance.
- Removable ball level stud for flat base mounting (sliders) with 3/8” screw hole.
- Mitchell base adaptable.
- Robust construction for rugged outdoor shooting conditions.
- Optional second pan handle mount.
- Side mounting points for viewfinders and accessories.
- 3 year warranty.

The Heavy Duty Performer



1076 ARROWX 7 FLUID HEAD

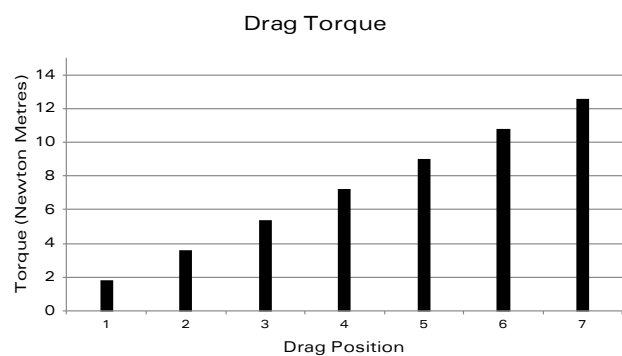
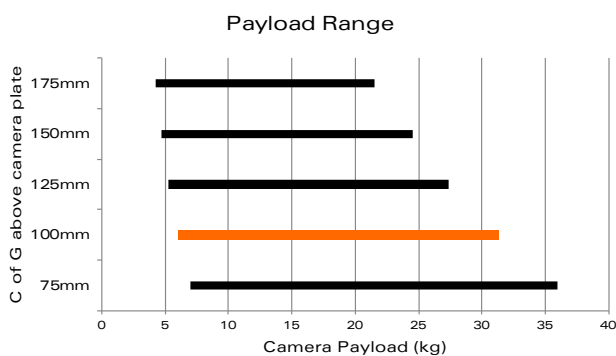
Weight:	3.4 kg (7.4 lbs)
Payload range:	6.0 - 25.0 kg (13.2 - 55.1 lbs)
Pan/tilt drag:	7 selectable fluid drag positions + 0
Counterbalance:	16 selectable positions
Pan/tilt lock:	Positive lock caliper brake system
Tilt range:	+ 90° / -75°
Pan range:	360°
Camera platform:	Quick release camera plate (Euro)
Sliding range:	120 mm (4.7")
Mounting base:	Ø100 mm (3.9") ball levelling
Height above bowl:	162 mm (6.4")
Illumination:	Bubble level, pan/tilt drag controls
Pan handle:	Telescopic 390 - 590mm (15.4-23.2")
Temperature range:	-40° to +65° C (-40° to +149° F)
Material:	Lightweight hi-strength diecast aluminium alloy and rigid composite polymers
Finish:	Durable black ripple (low sheen) with anti-corrosive pre-treatment
Sealing:	Water and dust resistant
Warranty:	3 Years

OPTIONAL ACCESSORIES

858	Offset camera plate with 2 x 3/8" screws
860	Camera plate (Euro) with 1/4" & 3/8" screws
696	Pan handle - telescopic with clamp
1219	Accessory mounting bracket
1217	Accessory mounting adaptor
1225	Mitchell base adapter with clamp

SPARES

P0036	1/4" camera screw
P0037	3/8" camera screw



SAI GLOBAL
Certified System
THE AUSTRALIA
 Miller Camera Support Equipment
 30 Hotham Parade
 Artarmon, Sydney, NSW 2064
 Australia
 Quality ISO 9001
 P +61 2 9439 6377 F +61 2 9438 2819
 sales@miller.com.au

EUROPE
 Miller Fluid Heads (Europe) Ltd.
 Unit 12A, Shepperton Business Park
 Govett Avenue, Shepperton
 Middlesex, TW17 8BA
 United Kingdom
 P +44 (0) 1932 222 888 F +44 (0) 1932 222 211
 sales@millertripods-europe.com

USA
 Miller Camera Support LLC
 216 Little Falls Road (Unit 15 & 16),
 Cedar Grove, New Jersey 07009
 USA
 P +1 (973) 857 8300 F +1 (973) 857 8188
 sales@millertripods.us