

# RM-KB-LCD Series

## HD rackmount console

high definition rackmount console designed for the needs of the AV system, with a 100% digital platform that maintains complete digital signal integrity

### features:

- High definition (1080P), widescreen (16:9) display
- Designed for digital video, featuring an HDMI® certified 100% digital platform including HDMI/DVI inputs and HDCP compliance
- No special cables required – compatible with industry standard cables and extenders
- KVM model is IP-enabled for remote monitoring and management
- Compact, 1-rackspace design includes 17" widescreen display, keyboard and touchpad
- Dual rail design allows monitor to reside in open position for system monitoring while keyboard is recessed



### specifications:

EIA compliant 19" rackmount LCD monitor, keyboard with integrated touchpad shall be Middle Atlantic Products part # RM-KB-LCD17HD\_\_\_\_ and shall occupy 1 rackspace (refer to chart). Overall dimensions shall be 1.75" H x 19" W x 25.23" D. RM-KB-LCD17HD\_\_ shall have a rail to rail mounting range of 21.63" to 27.75". Keyboard shall have a standard 105 key USB keyboard with integrated touchpad. LCD display size shall be 17.3" diagonal with a native screen resolution of 1920 x 1080 and an aspect ratio of 16 x 9. Power source shall be 50/60 Hz, 120 - 240V AC with a power consumption of 19.4 watts. Included power cord shall be provided with a NEMA 5-15P plug. Keyboard with LCD display shall have an operating range of 32°F - 104°F. RM-KB-LCD17KVMHD shall include KVM switch with 8 ports. Keyboard with LCD display shall comply with FCC Part 15, IC ICES-003 and EU EMC Directive 2004/108/EC and 2014/30/EU Class A. Keyboard shall have a black finish. Rackmount LCD monitor and keyboard with integrated touchpad shall be RoHS EU Directive 2002/95/EC and 2011/65/EU compliant. Rackmount LCD monitor and keyboard with integrated touchpad shall be manufactured by an ISO 9001 and ISO 14001 registered company. Rackmount LCD monitor and keyboard with integrated touchpad shall be warranted to be free from defects in parts or materials under normal use and conditions for a period of 1 year.

Customizable specification clips available at [middleatlantic.com](http://middleatlantic.com)



### options:

- HDMI Cable, Ultra Flexible High Speed with Low Profile Connectors shall be:

Part #	Length
41361	1'
41362	2'
41363	3'
41364	6'

- DVI-D M/M Dual Link Digital Video Cable shall be:

Part #	Length
26912	1m
26911	2m
26942	3m
29527	5m

what **great systems** are built on.™

A Group brand | legrand

**Middle Atlantic Products**

[middleatlantic.com](http://middleatlantic.com) | [middleatlantic.ca](http://middleatlantic.ca)

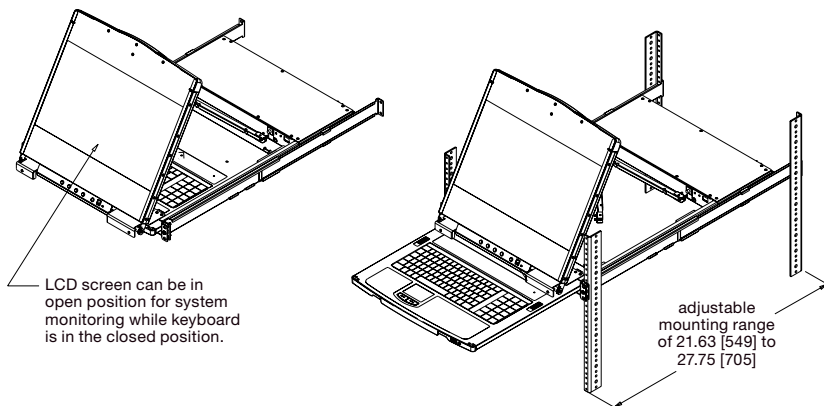
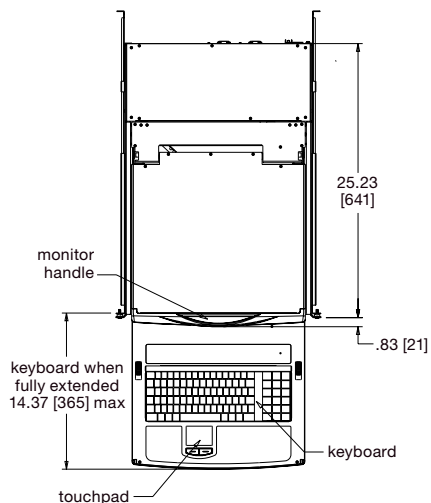
96-01218 / rev a / 3-4-15

# RM-KB-LCD Series

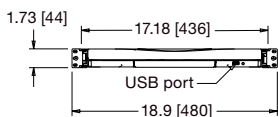
## basic dimensions

all dimensions in inches unless otherwise noted [all dimensions in brackets are in millimeters]

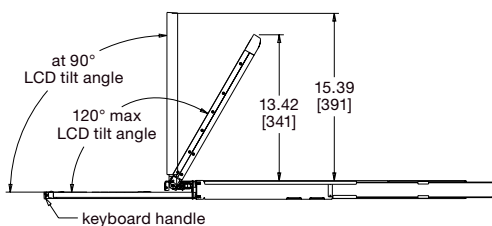
top view



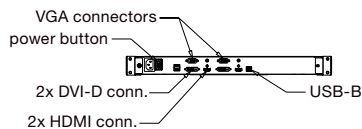
front view



right view



rear view of  
RM-KB-LCD17HD



rear view of  
RM-KB-LCD17KVMHD



Part #	Qty KVM Ports
RM-KB-LCD17HD	1
RM-KB-LCD17KVMHD	8

Notes:

1. Screen size: 17.3"
2. Screen ratio: 16 : 9
3. Refresh rate: 60hz
4. Screen resolution: Native: 1920 x 1080
5. All units ship with: (One) DVI / audio cable and (One) firmware upgrade cable

# RM-KB-LCD Series

## basic dimensions

Function			RM-KB-LCD17HD	RM-KB-LCD17KVMHD
Computer Connections			1	8
Console Selection			Hotkey	Hotkey
Connectors	External Console Ports	Keyboard	1 x USB Type A Female	1 x USB Type A Female
		Mouse	1 x USB Type A Female	1 x USB Type A Female
		Monitor	1 x DVI-D Female (White) 1 x HDB-15 (VGA) Female (Blue) 1 x HDMI Female (Black)	1 x DVI-D Female (White) 1 x HDB-15 (VGA) Female (Blue) 1 x HDMI Female (Black)
		Speaker	1 x Mini Stereo Jack Female (Green)	1 x Mini Stereo Jack Female (Green)
	KVM Ports	KB/Mouse	1 x USB Type B Female (White)	8 x USB Type B Female (White)
		Monitor	1 x DVI-D Female (White) 1 x SPHD-15 (VGA) Male (Blue) 1 x HDMI Female (Black)	6 x DVI-D Female (White) 8 x HDMI Female (Black)
		Speaker	1 x Mini Stereo Jack Female (Green)	NA
	LAN 10/100/1000Mbps		NA	1x RJ45 F
	External Mouse / Peripheral		1 x USB Type A Female (Black)	1 x USB Type A Female (Black)
	Firmware Upgrade		1 x RJ-11 Female (Black)	1 x RJ-11 Female (Black)
Power		1 x 3-prong AC Socket	1 x 3-prong AC Socket	
Switches	Reset		1 x Semi-recessed Pushbutton	1 x Semi-recessed Pushbutton
	Power		1 x Rocker	1 x Rocker
	F/W Upgrade		1 x Slide	1 x Slide
	LCD Power		1 x Pushbutton	1 x Pushbutton
	Port Selection		NA	8x pushbutton
	LCD Adjustment		4 x Pushbutton	4 x Pushbutton
LEDs	Power		1 (Green)	1 (Green)
	Lock	Num	1 (Green)	1 (Green)
		Caps	1 (Green)	1 (Green)
		Scroll	1 (Green)	1 (Green)
Emulation	Keyboard / Mouse		USB	USB
Video			1920 x 1080 @60Hz, DDC2B	1920 x 1080 @60Hz, DDC2B
I/P Rating			100–240VAC; 50–60Hz; 1A	100–240VAC; 50–60Hz; 1A
Power Consumption			120V, 19.4W / 230V, 19.4W	120V, 19.4W / 230V, 19.4W
Environment	Operating Temp.		32–104° F (0–40° C)	32–104° F (0–40° C)
	Storage Temp.		-4–140° F (-20–60° C)	-4–140° F (-20–60° C)
	Humidity		0–80% RH Non-condensing	0–80% RH Non-condensing
Physical Properties	Housing		Metal	Metal
	Weight		25.08 lbs.(11.38 kg)	25.08 lbs.(11.38 kg)
	Dimensions (L x W x H)		25.23 in x 18.9 in x 1.73 in (641 mm x 480 mm x 44 mm)	25.23 in x 18.9 in x 1.73 in (641 mm x 480 mm x 44 mm)