



Middle Atlantic Products

EXCEPTIONAL SUPPORT & PROTECTION™

96-01105 / rev. 1b / 08-23-10

UD Series Utility Drawers



EIA/TIA Compliant

UL LISTED

The UD Series rackmount utility drawers offer an economical storage solution for any enclosure

Features

- Full extension ball bearing slides extend a full 14"
- Durable black powder coat finish
- Keylock and latch option for security, user-installed (2, 3 and 4 space drawers only)
- Cable entry point at the rear of the drawer allows for optimized cable management
- Four sizes available
- UL Listed in the US and Canada



UD1 shown as a writing surface



UD1



UD3

Architects and Engineers' Specifications

EIA compliant 19" rackmount drawer shall be Middle Atlantic Products model # UD__ (refer to chart). Drawer shall have useable width of __", a useable surface of __" and occupy __ rackspace (refer to chart). Drawer base shall be __-gauge steel, top and sides shall be __-gauge steel (refer to chart). Drawer faceplate shall be __-gauge steel with a black powder coat finish (refer to chart). Drawer shall extend __" (refer to chart). Drawer shall use full extension, ball bearing slides. UD__ shall have cable entry point at the rear of the drawer. UD__ shall have a knockout on the face of the drawer to accommodate optional user-installed latch and keylock (refer to chart). Drawer shall have mounting hole spacing of __" (refer to chart). Drawer shall have a 50 lb. weight capacity. Drawer shall be UL Listed in the US and Canada. Drawer shall be GREENGUARD Indoor Air Quality Certified for Children and Schools. Drawer shall be RoHS EU Directive 2002/95/EC compliant. Drawer shall be manufactured by an ISO 9001 and ISO 14001 registered company. Drawer shall be warranted to be free from defects in materials or workmanship under normal use and conditions for a period of three years.

OPTIONS

- User installed latch for UD Series drawers shall be Middle Atlantic Products model # LATCH. LATCH shall fit 2, 3 and 4 space drawers.
- User installed keylock for UD Series drawers shall be Middle Atlantic Products model # KYLK. KYLK shall fit 2, 3 and 4 space drawers.
- Additional set of keys for KYLK shall be Middle Atlantic Products model # ACC-KEY.
- No-slip drawer mat for UD Series drawers shall be Middle Atlantic Products model #DM.

96-01105 / rev. 1b / 08-23-10 / UD Series Utility Drawers

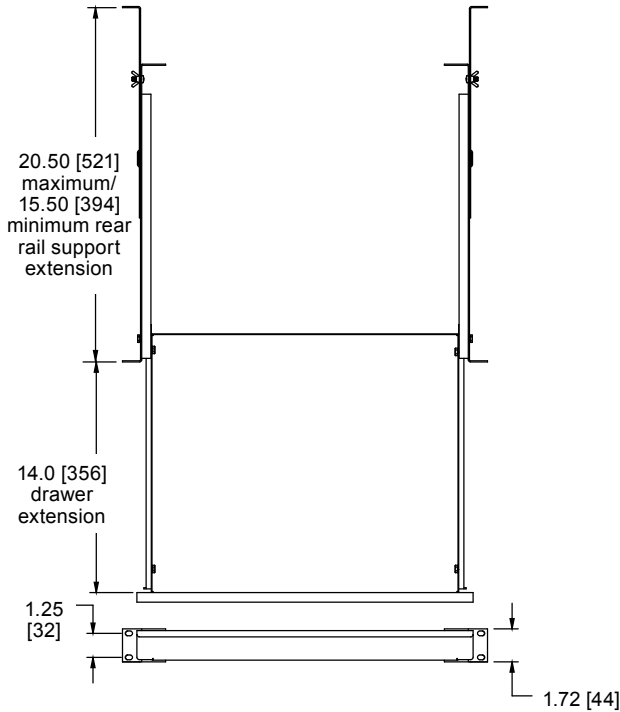
CUSTOMIZABLE SPECIFICATION CLIPS AVAILABLE AT MIDDLEATLANTIC.COM

UD basic dimensions

All dimensions in inches unless otherwise noted [All dimensions in brackets are in millimeters]

UD1

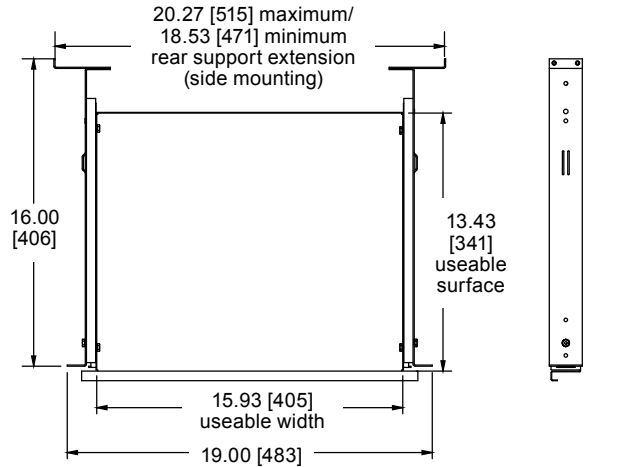
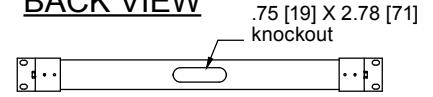
TOP VIEW



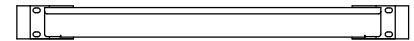
SIDE VIEW



BACK VIEW

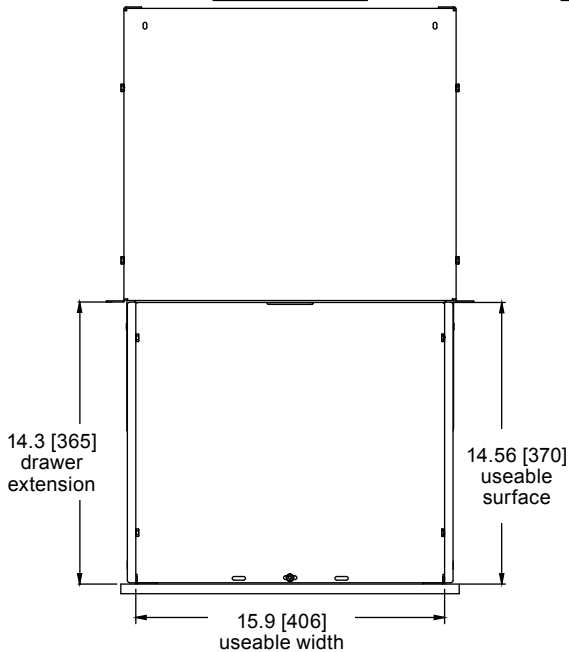


FRONT VIEW

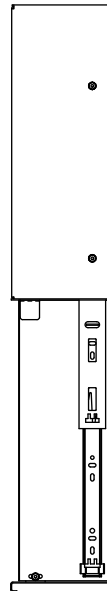


UD2, UD3, UD4

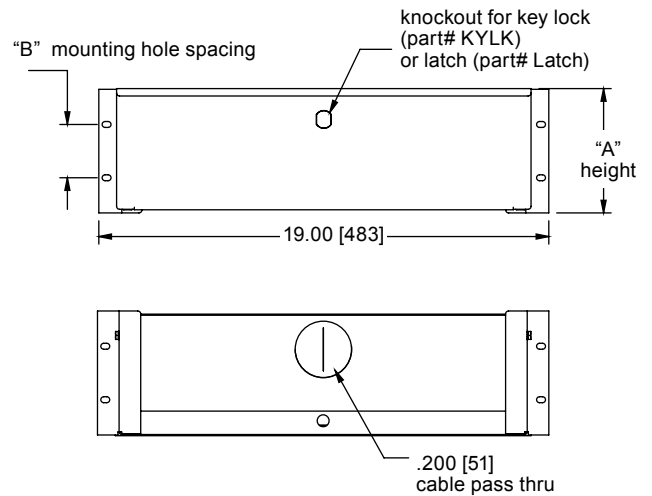
TOP VIEW



SIDE VIEW



FRONT VIEW



Part #	"A" Racking Height	"B" Mounting Hole Spacing	"C" Useable Width	"D" Usable Surface	"E" Drawer Extension	Optional Latch/Keylock	Steel Gauge Top & Sides	Steel Gauge Bottom	Steel Gauge Front
UD1	1.75" (44) 1 space	1.25 (32)	15.93 (405)	13.43 (341)	14.00 (356)	No	20-gauge	20-gauge	20-gauge
UD2	3.50" (89) 2 space	3.00 (76)	15.97 (406)	14.56 (370)	14.56 (370)	Yes	16-gauge	20-gauge	18-gauge
UD3	5.25" (133) 3 space	2.25 (57)	15.97 (406)	14.56 (370)	14.56 (370)	Yes	16-gauge	20-gauge	18-gauge
UD4	7.00" (178) 4 space	4.00 (102)	15.97 (406)	14.56 (370)	14.56 (370)	Yes	16-gauge	20-gauge	18-gauge

