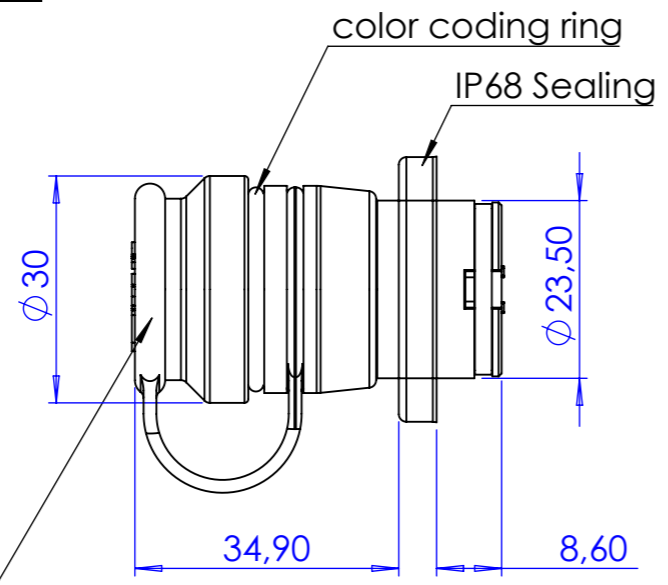
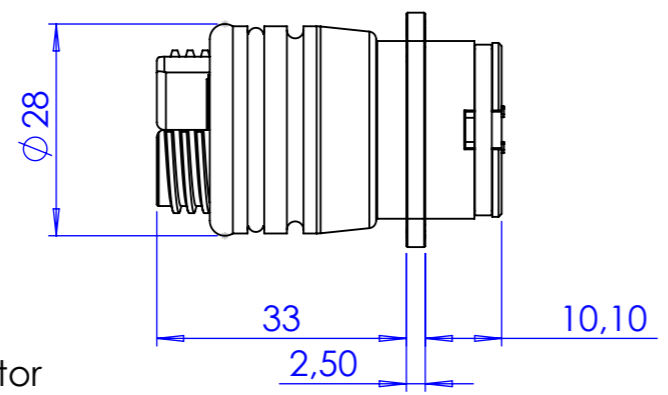
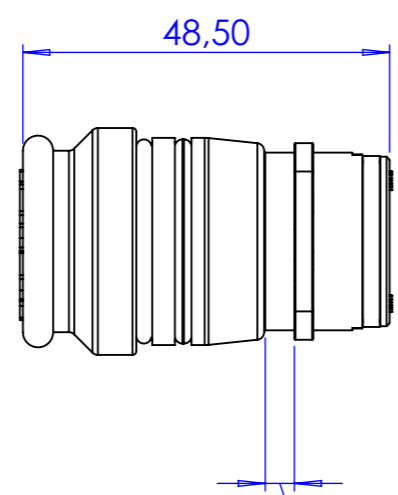


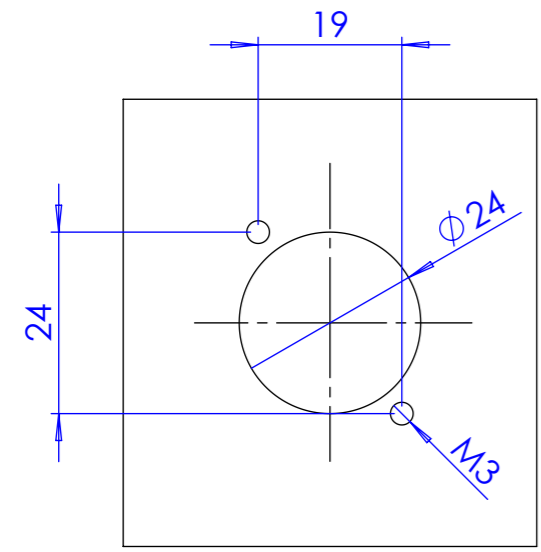
for 4x LC-Connector
MM 50/125



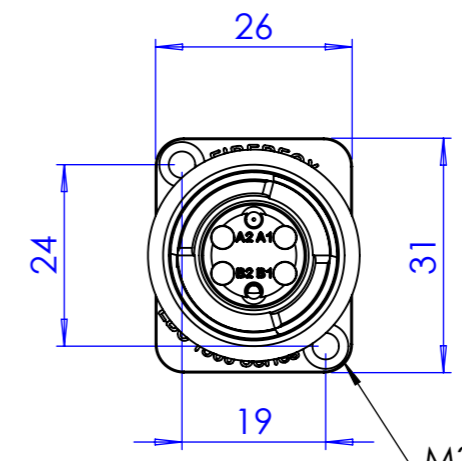
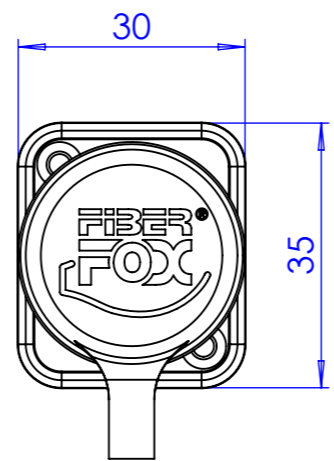
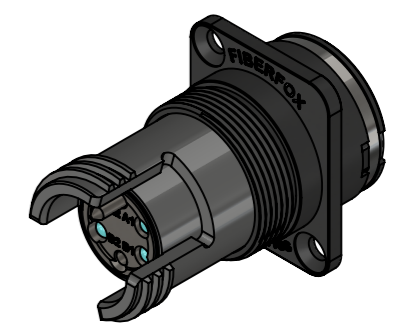
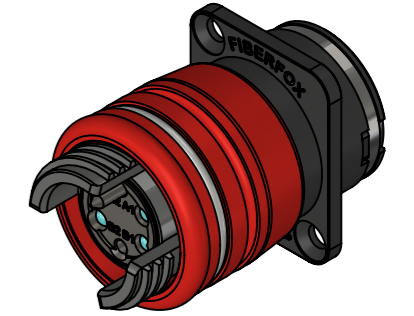
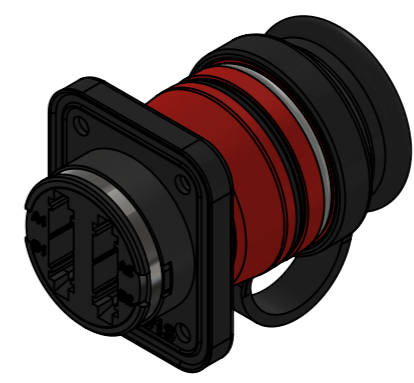
Protective cap



drilling pattern from the front



max. sheet thickness 1,5mm
with IP68 turned sealing
max. sheet thickness 3,5mm
without IP68 sealing



M3 countersunk

USE PROPERLY ALIGNED LC CONNECTORS ONLY

Before coupling, remove locking clips!

Avoid splayed connectors

Boot $\phi < 5\text{mm}$

Avoid splayed connectors by using LCs without anti-slag collars and a boot diameter $< 5\text{mm}$!
(e.g. original FIBERFOX patch-cable)

To mount from behind, it is possible to unscrew the case holder.
- Important, turn the IP68 Sealing!

Sheet Number 1/1	Projection 	Scale 1:1	Format A3	Tolerancing ISO 2768-m	
70 g	cm ²	25.29 cm ³	Created	HeBo	06.05.2021
Material			Modified		
Material addition			Approved	DiRo	06.05.2021
Description N04M4DW-FX FIBERFOX EBC15 bridgE Chassis coupler 4CH MM OM4			ECN Number		
NEUTRIK			3D Model ID 41027422	Document ID 1027422	Revision 01