

DSX200



Max Load
25lb. (11kg)

Shelf Bracket for Media Device

FOR MEDIA PLAYERS 18"W X 15"D

The DSX200 is an accessory shelf that supports various types of media devices connected to the display and attaches to a wide selection of Peerless-AV standard wall mounts, carts or floor stands. Its open shelf design allows for easy access to the media device with a safety strap that ensures the device is secured in place. With versatility in positioning, the DSX200 is easily installed above or below the display. Additionally, the space between the shelf and the display is adjustable to fit a wide range of applications.

Additional Features

- ✓ Shelf can be positioned above or below the display unit
- ✓ Adjusts to align horizontally and vertically
- ✓ Open shelf design allows easy access to devices and cables
- ✓ Cable management hole allows for clean appearance
- ✓ Safety belt will strap the media devices for added support
- ✓ Heavy gauge cold rolled steel construction
- ✓ Scratch resistant black fused epoxy
- ✓ Compatible with a wide range of Peerless-AV mounting solutions

Supporting various mounting positions, the DSX200 allows you to easily configure the distance between shelf and display to fit a variety of applications.



RoHS

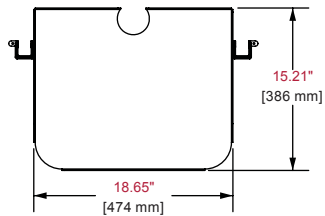
DSX200	Shelf Bracket for Media Device for Media Players 18"W x 15"D
---------------	--

Product Specifications

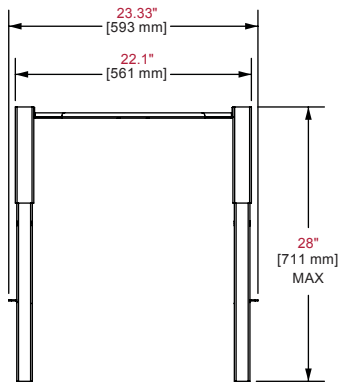
	DIMENSIONS (W X H X D)	PRODUCT WEIGHT	LOAD CAPACITY	FINISH	AVAILABLE COLORS
DSX200	23.33" x 28.00" x 15.21" (593 x 711 x 386mm)	15.2lb (6.9kg)	25lb (11 kg)	Powder coat	Black

Package Specifications

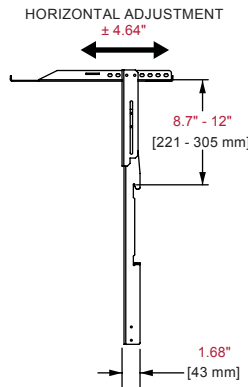
	PACKAGE SIZE (W x H x D)	PACKAGE SHIP WEIGHT	PACKAGE UPC CODE	PACKAGE CONTENTS	UNITS IN PACKAGE
DSX200	26.88" x 16.0" x 4.38" (683 x 406 x 111mm)	18.75 lb (8.5 kg)	735029267799	Shelf, support rails and hardware	1



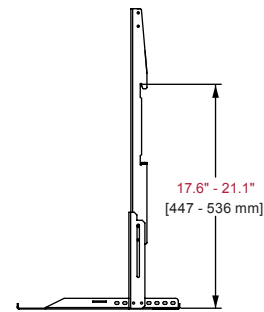
TOP VIEW



FRONT VIEW



SIDE VIEW SHELF ON TOP



SIDE VIEW SHELF ON BOTTOM

All dimensions = inch (mm)

Architect Specifications

The Shelf Bracket for Media Device for Media Players 18"W x 15"D shall be Peerless-AV model DSX200 and shall be located where indicated on the plans. It shall be constructed of heavy gauge steel. The finish shall be scratch resistant black fused epoxy. Assembly and installation shall be done according to instructions provided by the manufacturer.

Visit peerless-av.com to see the complete line of AV solutions from Peerless-AV, including outdoor displays, wireless, kiosks, digital audio, display mounts, projector mounts, carts/stands, and a full assortment of accessories.

Peerless-AV
2300 White Oak Circle
Aurora, IL 60502 USA
(800) 865-2112
(630) 375-5100
Fax: (800) 359-6500

Peerless-AV Europe
Unit 3 Watford Interchange
Colonial Way, Watford
Herts, WD24 4WP
United Kingdom
+44 (0) 1923 200100
Fax: +44 (0) 1923 200101

Peerless-AV de México
Ave de las Industrias 413
Parque Industrial Escobedo
Escobedo, N.L.,
Mexico 66050
+52 (81) 8384-8300
Fax: +52 (81) 8384-8360

