

PANA-85WM

Wall Mount For Panasonic TH-85PF12U Flat Panel Screen

Bigger gets better when the Panasonic TH-85PF12U can be easily mounted in a choice of a desired orientation with options of both the horizontal/landscape and vertical/portrait placement. Peerless' PANA-85WM wall mount is specifically designed to accommodate this extra-large Panasonic plasma display. Its hook-on design allows for easy hanging of the extra large screen on the mounts wall plate. Its triple stud wall plate secures the mount to wood studs, concrete or cinder block. To assure the display is seen in all its beauty, the PANA-85WM wall mount tilts the screen from 0 to 3.5 to 7 degrees so the life-size display is set to an optimal viewing angle.



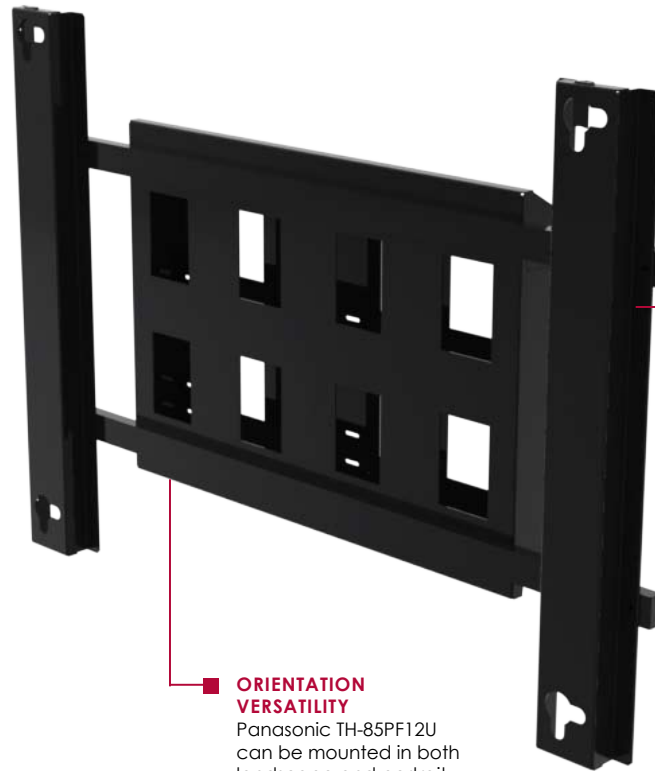
Screen size: 85"



Max load: 270lb (122kg)

FEATURES

- Panasonic TH-85PF12U can be mounted in both landscape and portrait orientation
- Screen can be tilted 0, 3.5 and 7 degrees
- Hook-on design allows the screen to be easily placed into keyhole slots in the mount
- Triple stud wall plate with attachment compatibility to wood studs, concrete or cinder block



■ **QUICK AND SIMPLE INSTALLATION**
Hook-on design allows the screen to be easily placed into keyhole slots in the mount

■ **THE IDEAL VIEWING ANGLE**
Screen can be tilted 0, 3.5 and 7 degrees

■ **ORIENTATION VERSATILITY**
Panasonic TH-85PF12U can be mounted in both landscape and portrait



Screen can be tilted 0, 3.5 and 7 degrees



Model Numbers

WARRANTY: Limited 5-year

PANA-85WM: Wall Mount for Panasonic TH-85PF12U Flat Panel Screen

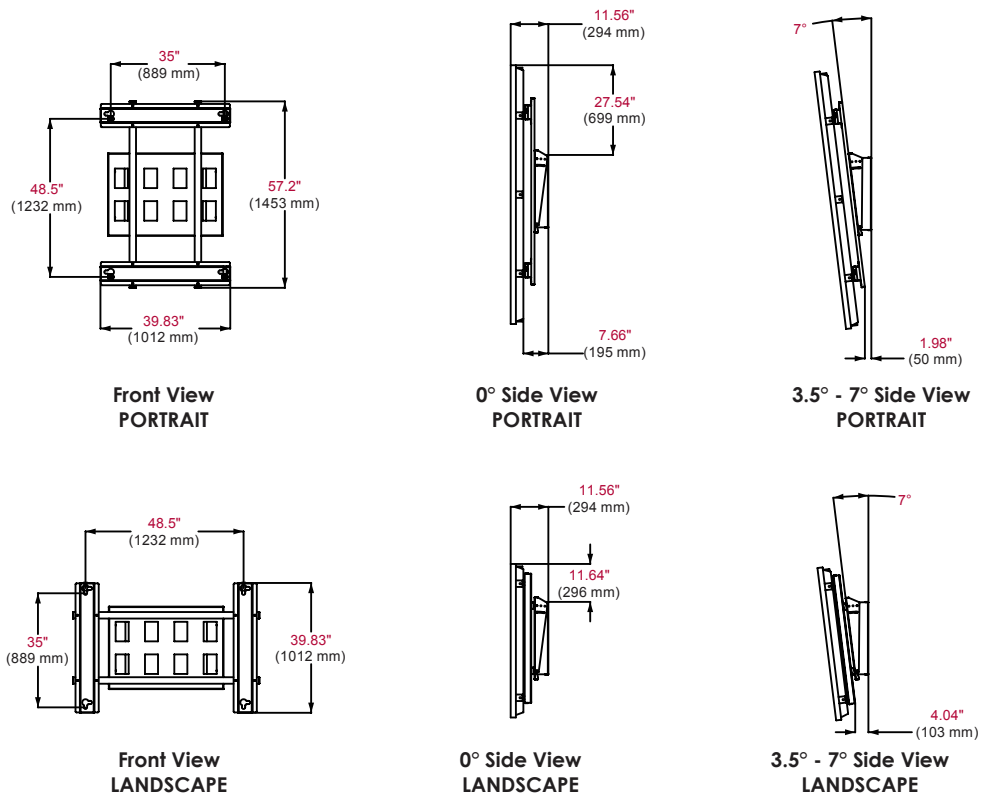
Product Specifications

	DIMENSIONS (W x H x D)	PRODUCT WEIGHT	LOAD CAPACITY	FINISH	AVAILABLE COLORS
PANA-85WM	39.8" x 57" x 7.7" (1011 x 1448 x 196mm)	100lb (45kg)	270lb (122kg)	Powder coat	Matte black

Package Specifications

	PACKAGE SIZE (W x H x D)	PACKAGE SHIP WEIGHT	PACKAGE UPC CODE	PACKAGE CONTENTS	UNITS IN PACKAGE
PANA-85WM	37" x 30" x 9.13" (940 x 762 x 232mm) 67.4" x 17.1" x 4.7" (1712 x 434 x 119mm)	110lb (50kg)	735029268154	Wall plate, tilt plate, support tubes, adapter brackets and mounting hardware	1

All dimensions = inch (mm)



ARCHITECTS SPECIFICATIONS

The Panasonic Wall Mount shall be a Peerless model PANA-85WM and shall be located where indicated on the plans. It shall be constructed of heavy gauge cold rolled steel. It shall feature up to 7° of tilt adjustment. Assembly and installation shall be done according to instructions provided by the manufacturer.