

PRGS-UNV(-S)(-W)

PRGS Projector Mount

For projectors up to 50lb (22kg)

The PRGS Projector Mount simplifies the way image alignment is done. The precision gear design allows exact pitch and roll image positioning by either simply turning two adjustment knobs with a Phillips screw driver, or using the tool-less option by extending the knobs to adjust by hand. Just set the precision gear to the desired position to secure it in place. It will hold its position even during projector maintenance. With Peerless-AV® PRGS Projector Mount, just set it and forget it. No more adjustment screws. No more micro adjustments. No more hassles.



Max load: 50lb (22kg)

FEATURES

- Two adjustment knobs to control tilt and roll image alignment and accurately hold image position, virtually eliminating any sag or drift
- Specifications:
 - Pitch: +15°/-20°
 - Roll: ±5°
 - Swivel: 360° (during installation)
- Pre-installed security screws provide tilt and roll locking ability to prevent tampering and adjustments
- Low profile design allows projector to be flush with the ceiling
- Open frame assembly provides easy cable routing through the projector mount itself
- Quick release mechanism to easily service projector

PIN-POINT IMAGE ALIGNMENT

Achieve pin-point image alignment by simply turning the adjustment knobs by hand or with a Phillips screwdriver

EFFORTLESS PROJECTOR MAINTENANCE

Quick-release thumbscrew enables easy-glide removal of the projector in and out of the mount



UNIVERSAL COMPATIBILITY

Includes the Spider® Universal Adapter Plate which extends up to 17.63" (448mm) to fit most projector models



Pin-point image alignment



PRGS-UNV(-S)(-W): PRGS Projector Mount for projectors up to 50lb (22kg)

Product Specifications

	DIMENSIONS (W x H x D)	PRODUCT WEIGHT	LOAD CAPACITY	FINISH	AVAILABLE COLORS
PRGS-UNV(-S)(-W)	4.79" -17.63" x 3.63"-4.63" x 4.79"-17.63" (122-448 x 92-118 x 122-448mm)	5.1lb (2.32kg)	50lb (22kg)	Powder Coat	PRGS-UNV Black PRGS-UNV-S Silver PRGS-UNV-W White

Package Specifications

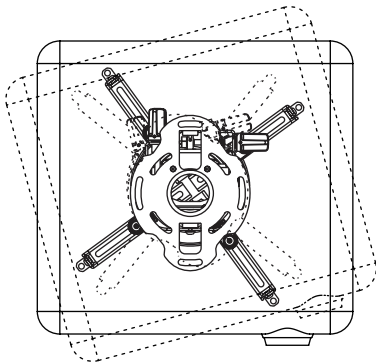
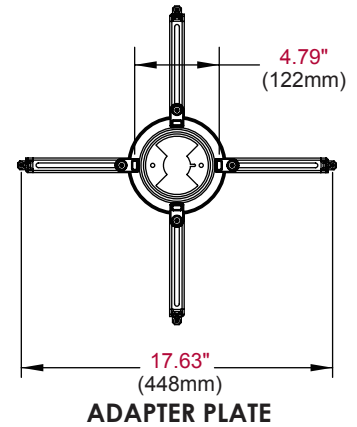
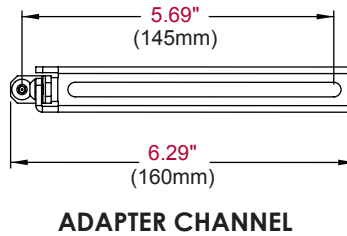
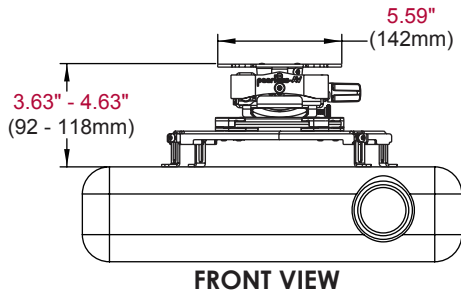
	PACKAGE SIZE (W x H x D)	PACKAGE SHIP WEIGHT	PACKAGE UPC CODE	PACKAGE CONTENTS	UNITS IN PACKAGE
PRGS-UNV(-S)(-W)	14.25" x 6.75" x 3.00" (362 x 171 x 76mm)	5.0lb (2.26kg)	PRGS-UNV: 735029281795 PRGS-UNV-S: 735029281863 PRGS-UNV-W: 735029281870	Projector Mount, Spider® Universal Adapter Plate, Mounting and Projector Attachment Hardware, Assembly Instructions	1

Accessories

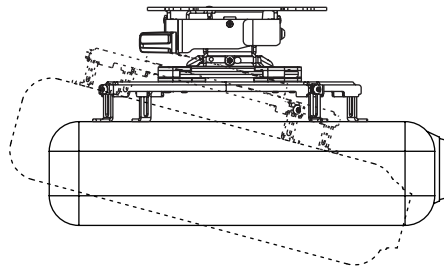
ACC and CMJ models: Ceiling plates
AEC, ALU and EXT models: Extension columns

PWA-14(S)(W): Projector wall arm

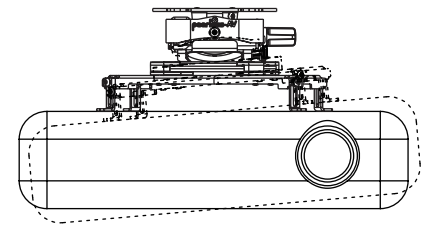
All dimensions = inch (mm)



SWIVEL (YAW) 360° (when attached to extension column)
+/- 15° (when flush mounted)



+15/- 20° PITCH



+/- 5° ROLL

ARCHITECTS SPECIFICATIONS

The PRGS Projector Mount shall be a Peerless-AV model PRGS-UNV and shall be located where indicated on the plans. Assembly and installation shall be done according to instructions provided by the manufacturer.