

# TECHNICAL DATA SHEET - Vector Pro™ and PRS Projector Wall Mounts



**MODEL: PWA-14, PWA-14S, PWA-14W**

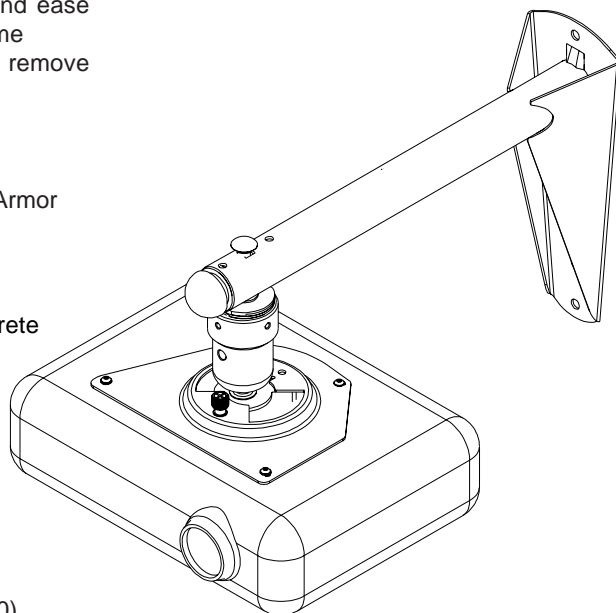
The **PWA-14, PWA-14S, PWA-14W** Vector Pro™ and PRS Projector Mounts feature a wall arm design that is to be used in conjunction with a Vector Pro™ ball and socket projector mount and the PRS series. The Vector Pro™ and PRS wall mounts offer the same adjustability that the ceiling mount offers, while still maintaining a sleek, low-profile design. The wall mount was designed with security, functionality, aesthetics, and ease of installation in mind. The Vector Pro™ and PRS wall mounts come standard with Armor Lock™ security as well as the ability to quickly remove the projector from the mount.

#### **Features:**

- Attaches to Vector Pro™ and PRS mounts with carriage bolt and Armor Lock™ security screw
- 14.25" reach to accommodate most projectors
- Wood screws included for mounting to a single wood stud
- Can be mounted direct to concrete or a single metal stud (concrete anchors and metal stud fasteners sold separately)
- Vector Pro™ and PRS mounts ordered separately

#### **Accessories:**

- Concrete Anchors (ACC 200, ACC 203)
- Metal Stud Fastener Kit (ACC 415)
- Armor Lock Plus™ security cable with Kensington® Lock (ACC 020)
- Armor Lock Plus security cable (ACC 021)



#### **Dimensions:**

**Weight:**  
3.2 lb (1.5 kg)

**Shipping weight:**  
5.0 lb (2.2 kg)

**Maximum Load Capacity:**  
50 lb (22.7 kg)

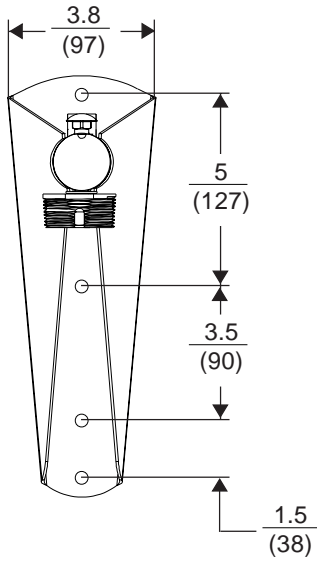
**Shipping Carton dimensions:**  
L = 19.375 in (492 mm)  
W = 9.75 in (247 mm)  
H = 5.625 in (142 mm)

#### ARCHITECTS SPECIFICATIONS

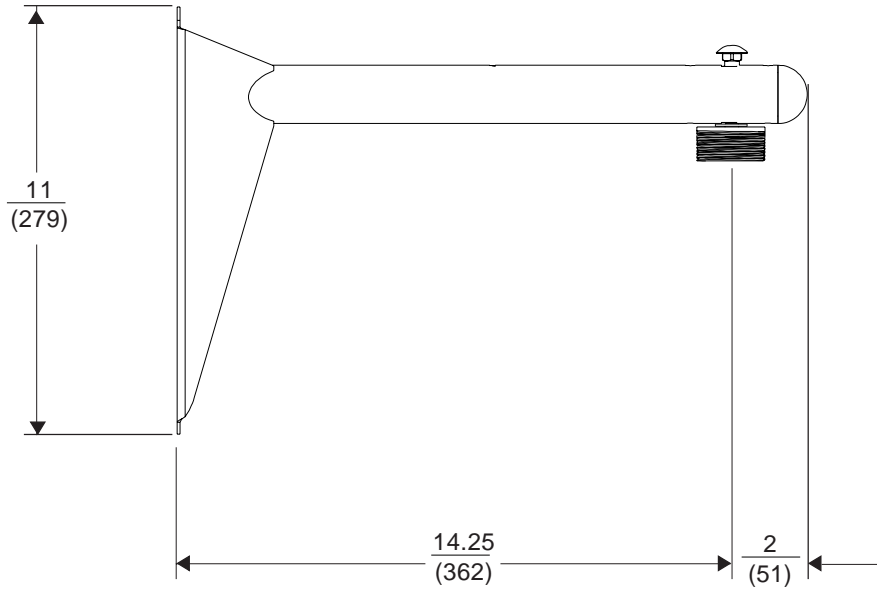
The Vector Pro™ and PRS Projector Wall Mounts shall be a Peerless model **PWA-14, PWA-14S, PWA-14W** and shall be located where indicated on the plans. Assembly and installation shall be done according to instructions provided by the manufacturer.

TECHNICAL DATA SHEET

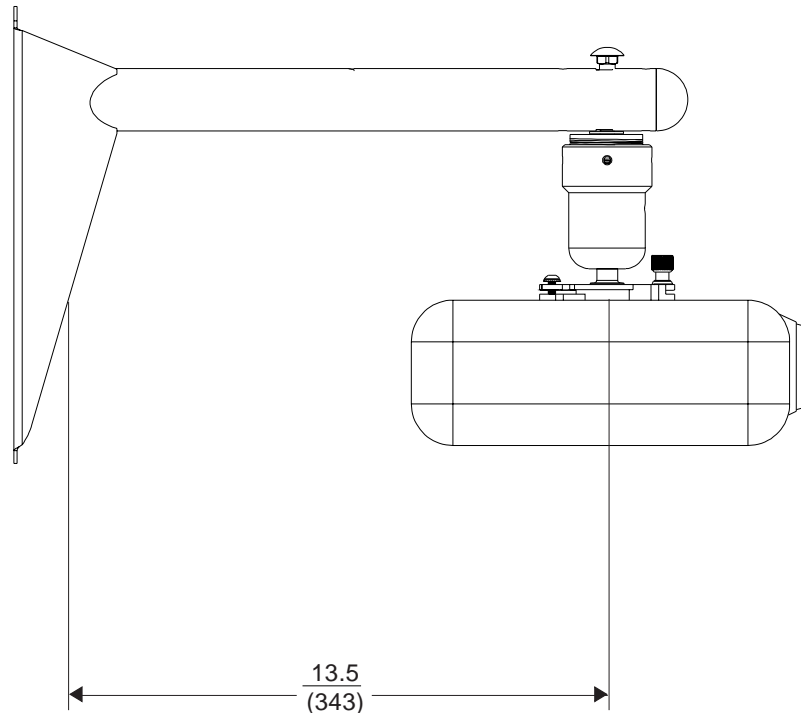
**MODEL: PWA-14, PWA-14S, PWA-14W**



**FRONT VIEW**



**SIDE VIEW**



**SIDE VIEW WITH PROJECTOR**