

SF640(P)



Mounting Pattern
450 x 405mm
(17.72" x 15.95")



Max Load
150lb
(68kg)

SMARTMOUNT.

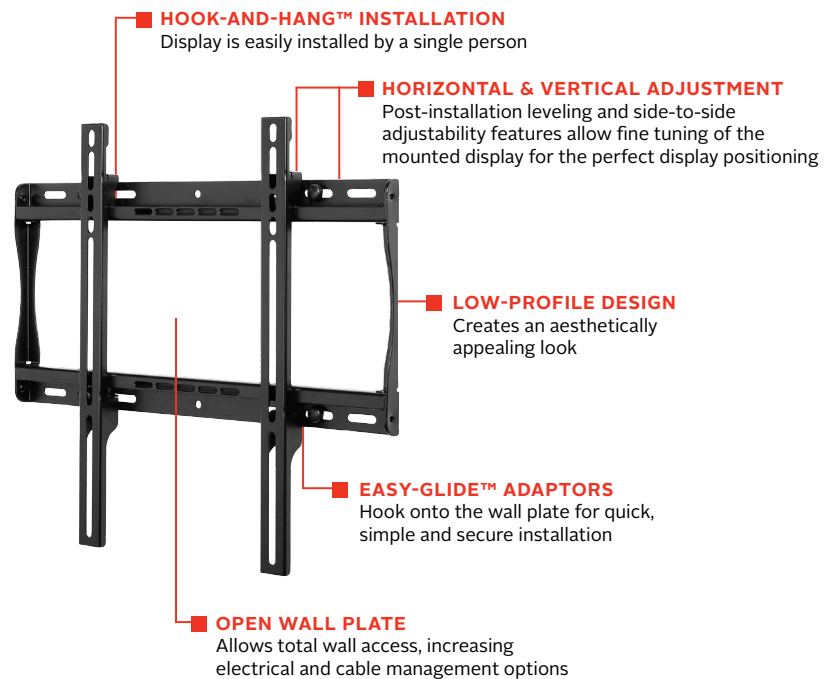
Universal Flat Wall Mount

FOR 32" TO 50" DISPLAYS

The SmartMount® Universal Flat Wall Mount series offers the most versatile installation features and mounting options. Horizontal and vertical adjustment abilities allow for post installation leveling and side-to-side positioning, making it easier than ever to find the perfect TV position. The SF640(P) models' low-profile design offers a sleek, aesthetically pleasing look to fit into any décor. Security screws provided in the SF640 models deter tampering and theft. The open wall plate design offers total wall access, increasing the electrical and cable management options. The display can now simply be installed by a single person with the Hook-and-Hang™ system. The Easy-Glide™ adaptors hook onto the wall plate for a overall quick, simple and secure installation.

- Universal mount fits displays with mounting patterns up to 450 x 405mm (17.72" W x 15.95" H) and accommodates up to 400 x 400mm VESA® mounting patterns
- Low-profile design holds display only 1.20" (30mm)
- Up to 0.25" (6mm) of vertical adjustment on each universal display adaptor bracket for post-installation leveling and height adjustment fine-tuning
- Horizontal display adjustment up to 6.00" (152mm) for centering display on wall
- Landscape to portrait mounting options increases installation versatility. Please check display dimensions against the wall plate when used in portrait mode*
- Includes all necessary wall and display attachment hardware
- Integrated security options available
- Design is UL listed and tested to four times stated load capacity
- For mounts requiring theft resistant hardware, installed with security tool (included), please purchase SF640
- For mounts requiring standard hardware, installed with a Philips screwdriver, please purchase SF640P

* Requires display to be removed and reset on mount



Low-profile design for a sleek, yet compact installation.



Comes in color packaging with included installation hardware and easy to follow instructions.



Please visit peerless-av.com/en-us/patents for patent information.

SF640P	SmartMount® Universal Flat Wall Mount for 32" to 50" Displays - Standard Models
SF640	SmartMount® Universal Flat Wall Mount for 32" to 50" Displays - Security Models

Product Specifications

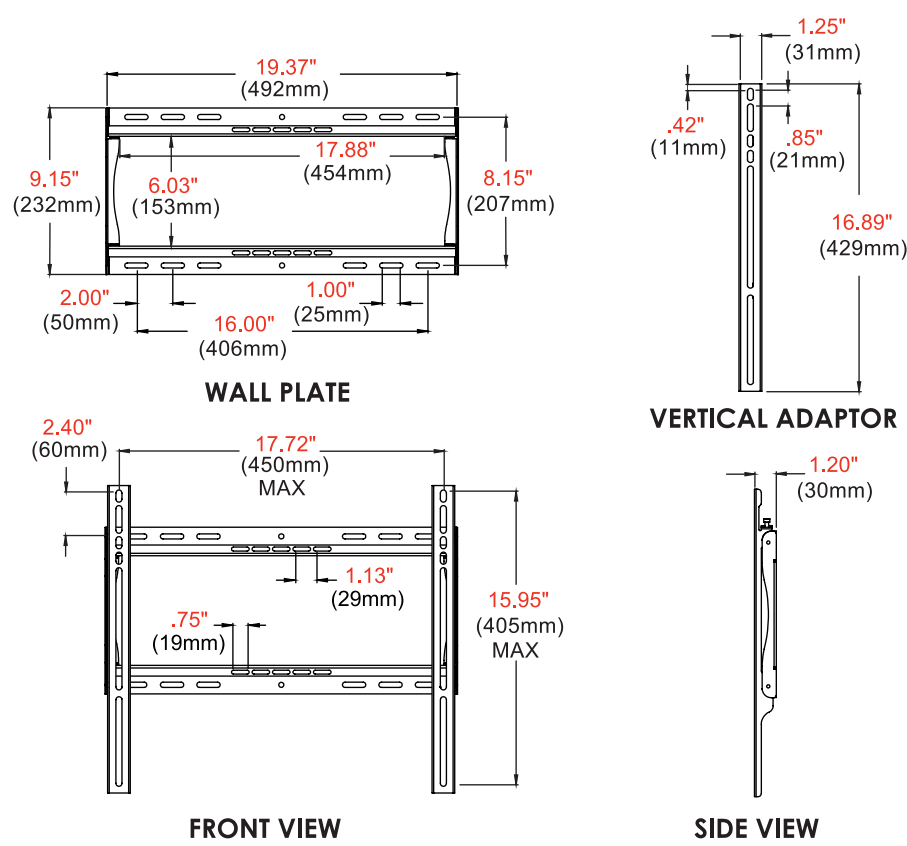
	DIMENSIONS (W x H x D)	PRODUCT WEIGHT	LOAD CAPACITY	FINISH	AVAILABLE COLORS
SF640(P)	19.37" x 16.89" x 1.20" (492 x 429 x 30mm)	3.95lb (1.80kg)	150lb (68kg)	Scratch Resistant Fused Epoxy	Semi-Gloss Black

Package Specifications

	PACKAGE SIZE (W x H x D)	PACKAGE SHIP WEIGHT	PACKAGE UPC CODE	PACKAGE CONTENTS	UNITS IN PACKAGE
SF640(P)	21.69" x 1.57" x 10.71" (551 x 40 x 272mm)	5.40lb (2.45kg)	SF640: 735029235651 SF640P: 735029235675	Wall Mount, Wall and Display Installation Hardware, Installation Instructions	1

Accessories

ACC415: 4-pack Metal Stud Fastener Kit	ACC-WMVCs: Video Conferencing Shelf
ACC309: Video Conference Shelf	ESHV models: AV Wall Shelves
ACC-UCM: Universal AV Component Mount	IBA4-W: Easy Mount Recessed Low Voltage Cable Plate



Architect Specifications

The SmartMount® Universal Flat Wall Mount shall be a Peerless-AV model SF640(P) and shall be located where indicated on the plans. Assembly and installation shall be done according to instructions provided by the manufacturer.

Visit peerless-av.com to see the complete line of AV solutions from Peerless-AV, including outdoor displays, wireless, kiosks, digital audio, display mounts, projector mounts, carts/stands, and a full assortment of accessories.

Peerless-AV
 2300 White Oak Circle
 Aurora, IL 60502 USA
(800) 865-2112
(630) 375-5100
Fax: (800) 359-6500

Peerless-AV EMEA
 Unit 3 Watford Interchange
 Colonial Way, Watford
 Herts, WD24 4WP
 United Kingdom
+44 (0) 1923 200100
Fax: +44 (0) 1923 200101

Peerless-AV Latin America
 Ave de las Industrias 413
 Parque Industrial Escobedo
 Escobedo, N.L.,
 Mexico 66062
+52 (81) 8384-8300
Fax: +52 (81) 8384-8360

