

ST632(P)



**Mounting Pattern**  
75, 100, 200 x 100,  
or 200 x 200mm



**Max Load**  
115lb  
(52kg)

**SMARTMOUNT®**

# Tilt Wall Mount

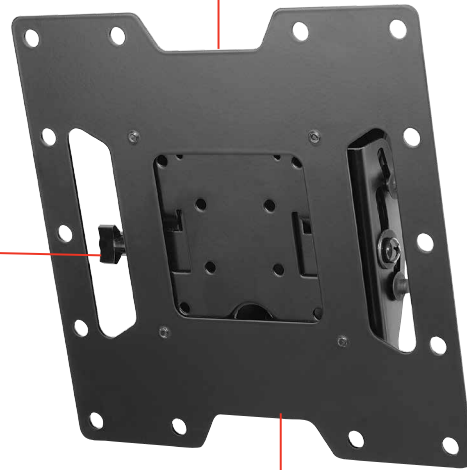
FOR 22" TO 40" DISPLAYS

The SmartMount® Tilt Wall Mount series offers the most versatile installation features and mounting options. Quickly and easily adjust the viewing angle without the use of tools. Security screws provided in the ST632 model deter tampering and theft. The display can now simply be installed by a single person with the Hook-and-Hang™ system. The Easy-Glide™ adaptors hook onto the wall plate for an overall quick, simple and secure installation.

- Accommodates 75, 100, 200 x 100, or 200 x 200mm VESA® mounting patterns
- Adjustable 15° forward tilt and -5° backward tilt for finding the optimal viewing angle
- Tilt angle locks into place with simple tightening of thumbscrew
- Display is positioned only 1.65" (42mm) from wall for a low-profile application
- Display adaptor simply slides into the wall plate for quick and easy installation
- Includes all necessary wall and display attachment hardware
- Integrated security options available
- Design is UL listed and tested to four times stated load capacity
- For mounts requiring theft resistant hardware, installed with security tool (included), please purchase ST632
- For mounts requiring standard hardware, installed with a Philips screwdriver, please purchase ST632P

### HOOK-AND-HANG™ INSTALLATION

Display is easily installed by a single person



### TOOL-LESS TILT

Quickly adjust your viewing angle without tools

### FLEXIBLE MOUNTING LOCATIONS

Mounts to wood stud, concrete, cinder or breeze block



+15°/-5° of tilt for versatile viewing angles.



Comes in color packaging with included installation hardware and easy to follow instructions.



Please visit [peerless-av.com/en-us/patents](http://peerless-av.com/en-us/patents) for patent information.

<b>ST632P</b>	SmartMount® Tilt Wall Mount for 22" to 40" Displays - Standard Models
<b>ST632</b>	SmartMount® Tilt Wall Mount for 22" to 40" Displays - Security Models

**Product Specifications**

	DIMENSIONS (W x H x D)	PRODUCT WEIGHT	LOAD CAPACITY	FINISH	AVAILABLE COLORS
<b>ST632(P)</b>	8.75" x 8.75" x 1.65"-2.82" (222 x 222 x 42 -72mm)	3.40lb (1.54kg)	115lb (52kg)	Scratch Resistant Fused Epoxy	Semi-Gloss Black

**Package Specifications**

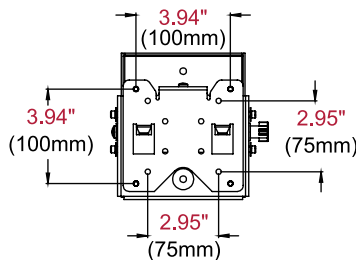
	PACKAGE SIZE (W x H x D)	PACKAGE SHIP WEIGHT	PACKAGE UPC CODE	PACKAGE CONTENTS	UNITS IN PACKAGE
<b>ST632(P)</b>	11.38" x 3.60" x 10.50" (289 x 91 x 267mm)	4.7lb (2.2kg)	ST632: 735029237242 ST632P: 735029237266	Wall Mount, Wall and Display Installation Hardware, Installation Instructions	1

**Accessories**

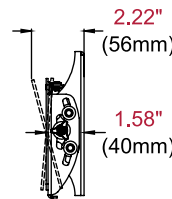
- ACC215:** 2-pack Metal Stud Fastener Kit
- ACC4X4:** VESA® 400 x 400mm Adaptor Plate
- ACC-UCM:** Universal AV Component Mount

- ESHV models:** AV Wall Shelves
- IBA4-W:** Easy Mount Recessed Low Voltage Cable Plate
- IBA5-W:** Recessed Low Voltage Media Plate with Duplex Surge Suppressor

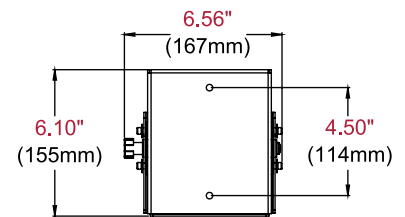
All dimensions = inch (mm)



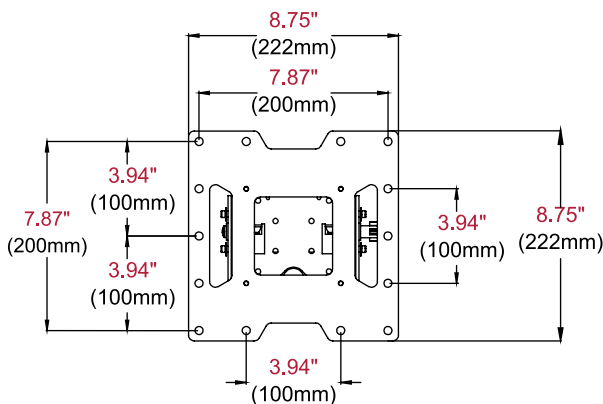
**FRONT VIEW  
VESA 75/100**



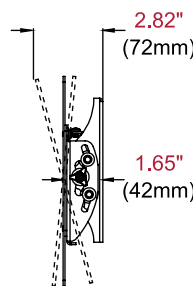
**SIDE VIEW  
VESA 75/100  
+15°/-5° TILT**



**WALL PLATE  
DETAIL**



**FRONT VIEW  
VESA 100/200**



**SIDE VIEW  
VESA 100/200  
+15°/-5° TILT**

**Architect Specifications**

The SmartMount® Tilt Wall Mount shall be a Peerless-AV model ST632(P) and shall be located where indicated on the plans. Assembly and installation shall be done according to instructions provided by the manufacturer.

Visit [peerless-av.com](http://peerless-av.com) to see the complete line of AV solutions from Peerless-AV, including outdoor displays, wireless, kiosks, digital audio, display mounts, projector mounts, carts/stands, and a full assortment of accessories.

**Peerless-AV**  
2300 White Oak Circle  
Aurora, IL 60502 USA  
**(800) 865-2112**  
**(630) 375-5100**  
**Fax: (800) 359-6500**

**Peerless-AV EMEA**  
Unit 3 Watford Interchange  
Colonial Way, Watford  
Herts, WD24 4WP  
United Kingdom  
**+44 (0) 1923 200100**  
**Fax: +44 (0) 1923 200101**

**Peerless-AV Latin America**  
Ave de las Industrias 413  
Parque Industrial Escobedo  
Escobedo, N.L.,  
Mexico 66062  
**+52 (81) 8384-8300**  
**Fax: +52 (81) 8384-8360**

