

HD 12-A MK5

ACTIVE TWO-WAY SPEAKER

DESCRIPTION

HD 12-A mk5 active speaker boosts performance with a high-power professional 12" woofer and a 1.4" HF driver, a 1400W 2ch Class-D amplifier, and innovative FiRPHASE and Bass Motion Control processing. Vocals are natural, the sound is clear at long distances, SPL power is stable at very high levels. The strength of HD series speakers comes from decades of experience building gear for the touring industry, equipping this compact cabinet with power and reliability expected for life on the road. Elegantly designed, the lightweight polypropylene cabinet with internal reinforcement offers maximum strength. The speaker also includes a steel pole mount, threaded inserts for rigging, and rubber handgrips. D-LINE offers working DJs and musicians professional sound designed with music in mind.



FEATURES

- 130 dB Max SPL
- 1400 Watts 2-way amplifier
- DSP Processing with FiRPHASE and Bass Motion Control
- 1.4" HF driver
- 12" woofer, high power, 2.5" voice coil
- 90° x 60°, wide dispersion constant directivity horn
- Silent Fan-less Class-D Amplifier
- Mylar/Ferrite driver - Kapton former coil

TECHNICAL SPECIFICATIONS

Acoustical specifications	Frequency Response:	45 Hz ÷ 20000 Hz
	Max SPL @ 1m:	130 dB
	Horizontal coverage angle:	90°
	Vertical coverage angle:	60°
Transducers	Compression Driver:	1 x 1.0", 1.4" v.c
	Woofers:	12", 2.5" v.c
Input/Output section	Input signal:	bal/unbal
	Input connectors:	XLR, Jack
	Output connectors:	XLR
	Input sensitivity:	-2 dBu/+4 dBu
	Mic. Input Sensitivity:	-32 dBu
Processor section	Crossover Frequencies:	1800 Hz
	Protections:	Thermal, RMS
	Limiter:	Soft Limiter
	Controls:	Volume, Boost, Mic/Line
Power section	Total Power:	1400 W Peak, 700 W RMS
	High frequencies:	400 W Peak, 200 W RMS
	Low frequencies:	1000 W Peak, 500 W RMS
	Cooling:	Convection
	Connections:	VDE
Standard compliance	Safety agency:	CE compliant
Physical specifications	Cabinet/Case Material:	PP Composite
	Hardware:	1 x M10 top, 1 x M10 bottom
	Handles:	1 Top, 2 Side
	Pole mount/Cap:	Yes
	Grille:	Steel
	Color:	Black
Size	Height:	647 mm / 25.47 inches
	Width:	380 mm / 14.96 inches
	Depth:	380 mm / 14.96 inches
	Weight:	18.3 kg / 40.34 lbs
Shipping information	Package Height:	700 mm / 27.56 inches
	Package Width:	440 mm / 17.32 inches
	Package Depth:	430 mm / 16.93 inches
	Package Weight:	21.4 kg / 47.18 lbs



PART NUMBER

- **13000684**

HD 12-A MK5

115V

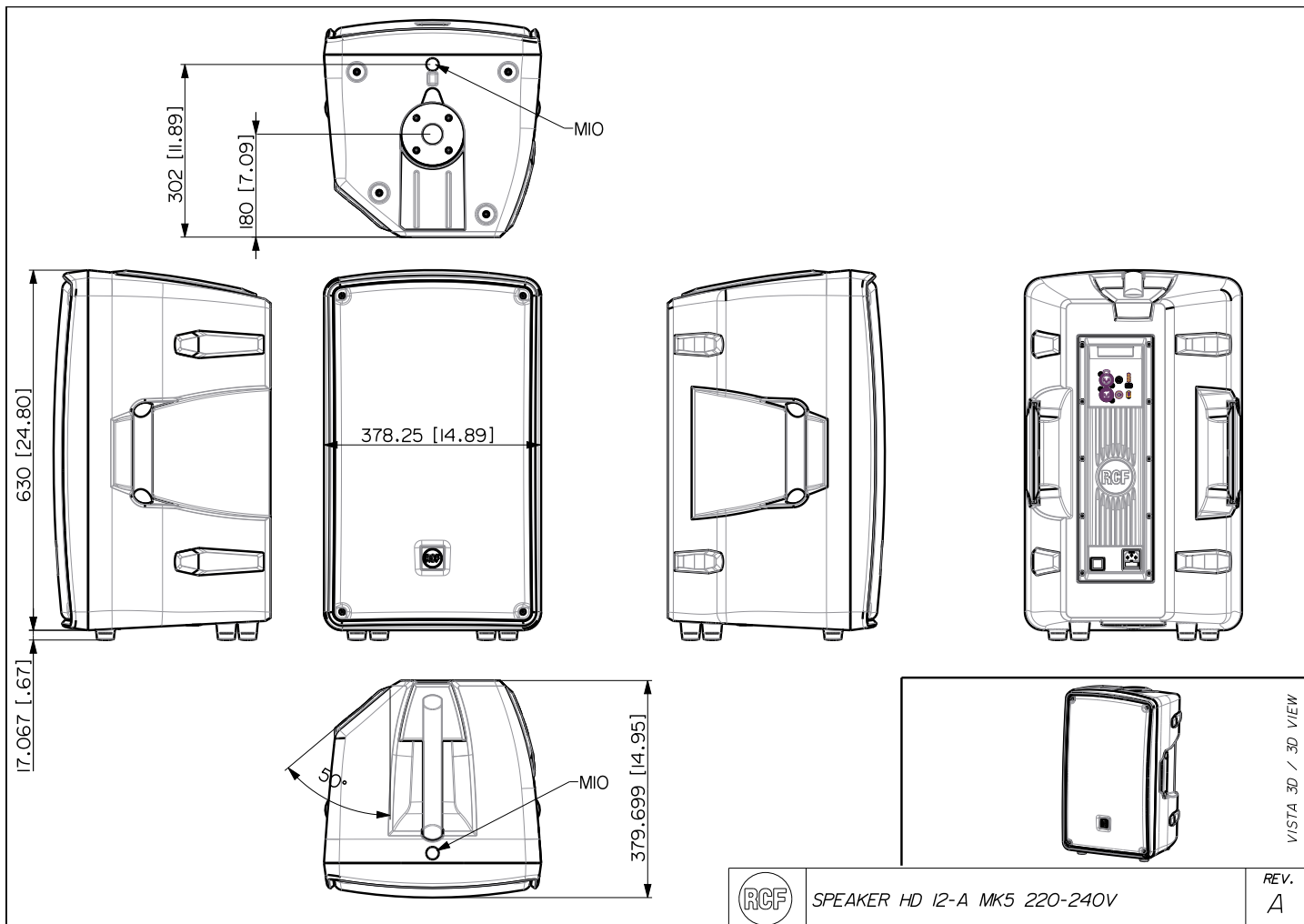
EAN 8024530019525

- **13000669**

HD 12-A MK5

220-240V

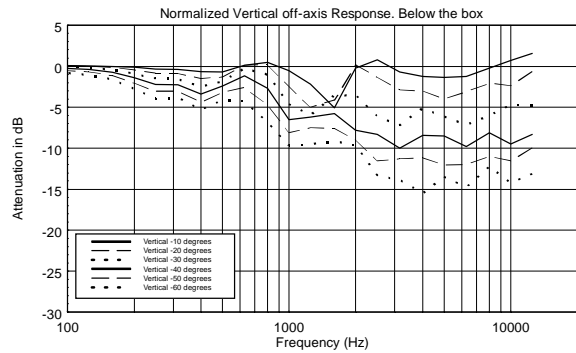
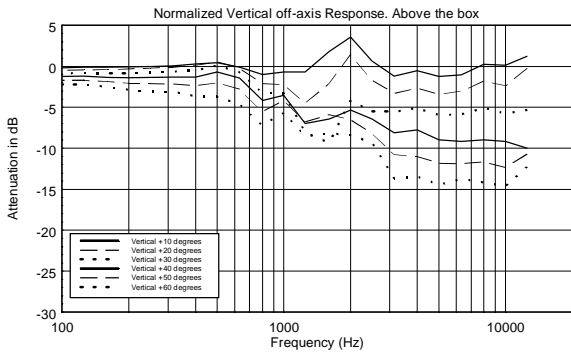
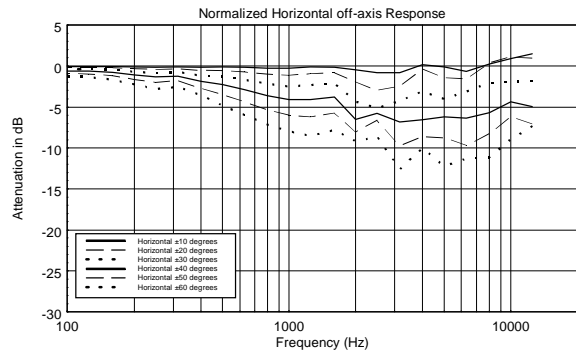
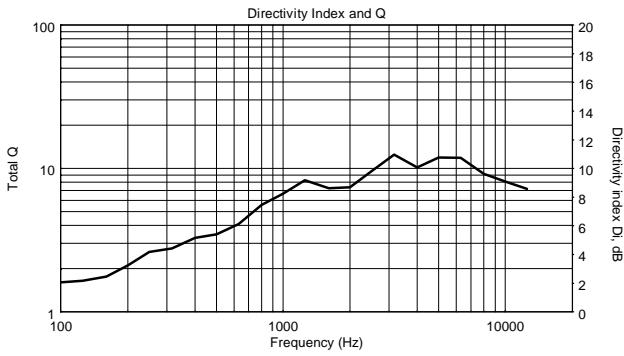
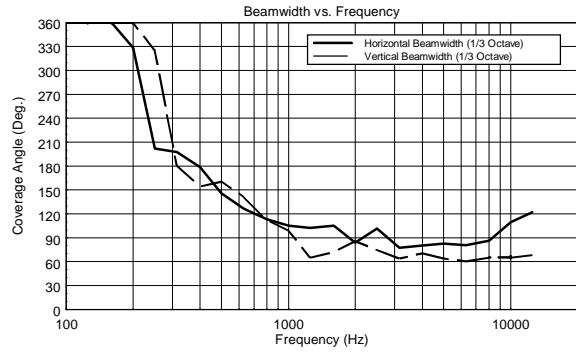
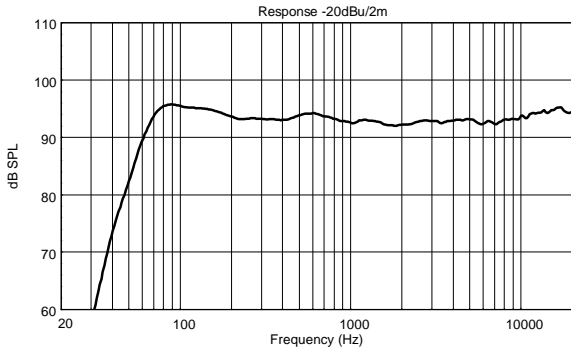
EAN 8024530019013



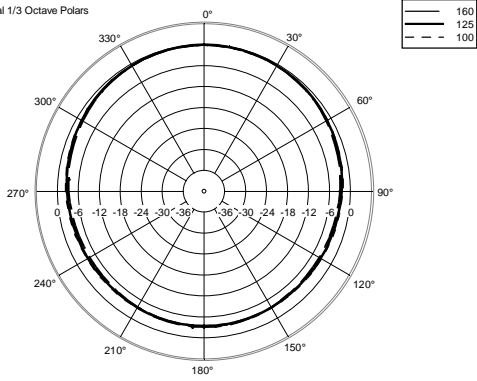
SPEAKER HD 12-A MK5 220-240V

REV.
A

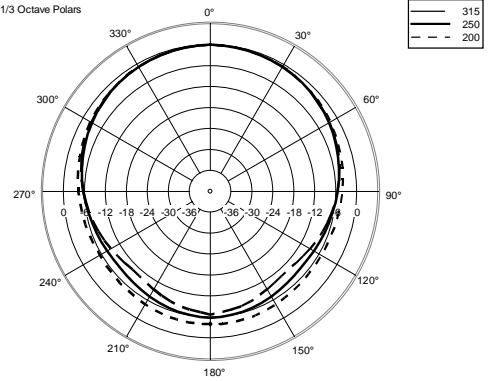
VISTA 3D / 3D VIEW



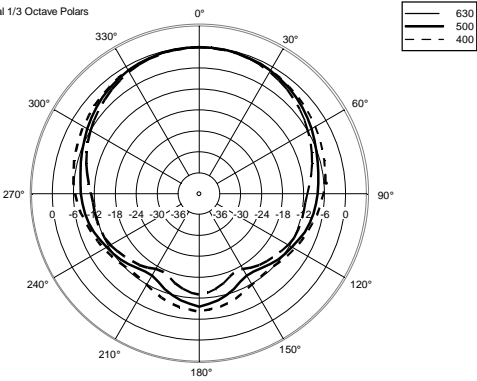
Horizontal 1/3 Octave Polars



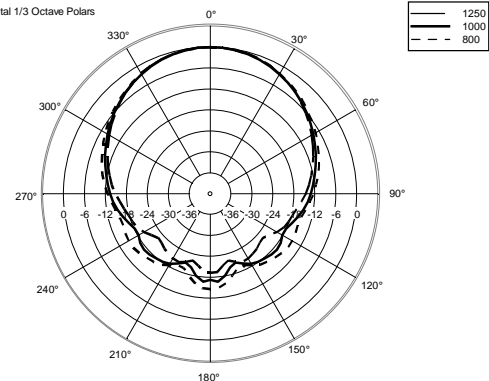
Horizontal 1/3 Octave Polars



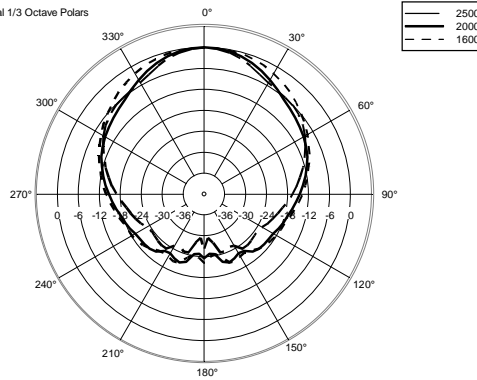
Horizontal 1/3 Octave Polars



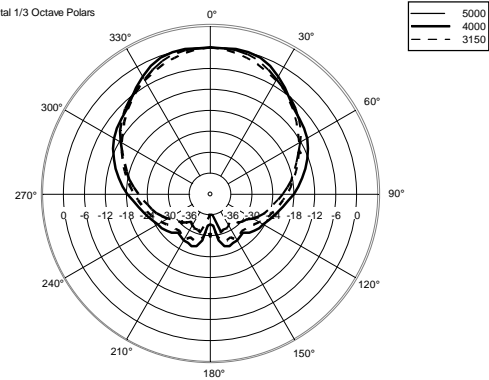
Horizontal 1/3 Octave Polars



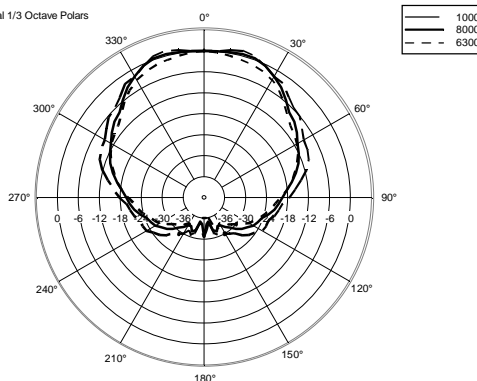
Horizontal 1/3 Octave Polars



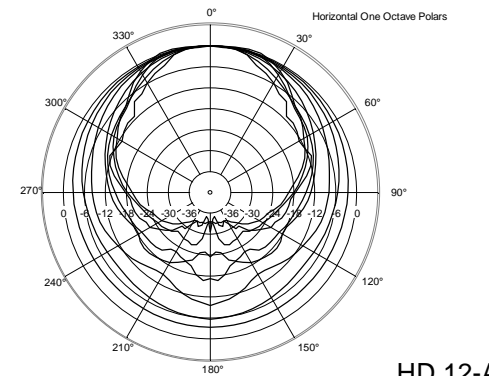
Horizontal 1/3 Octave Polars

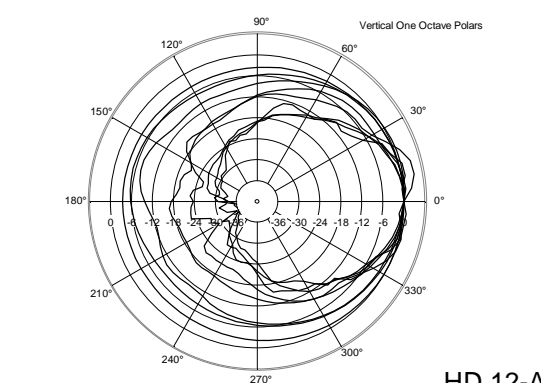
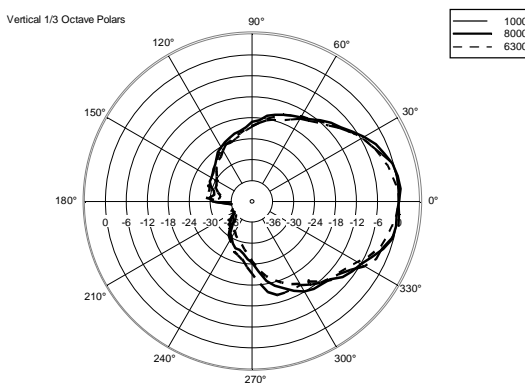
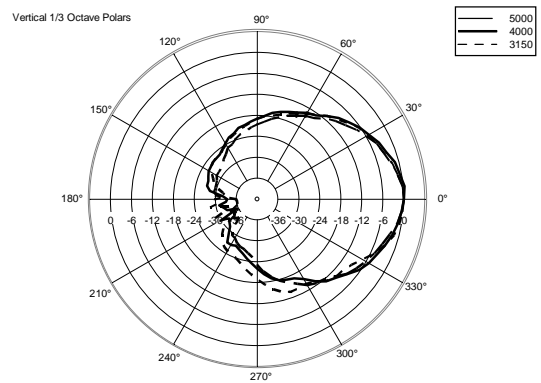
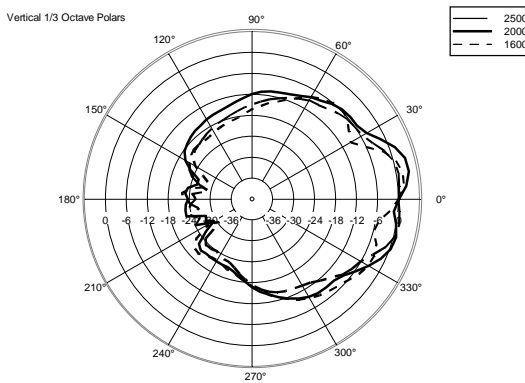
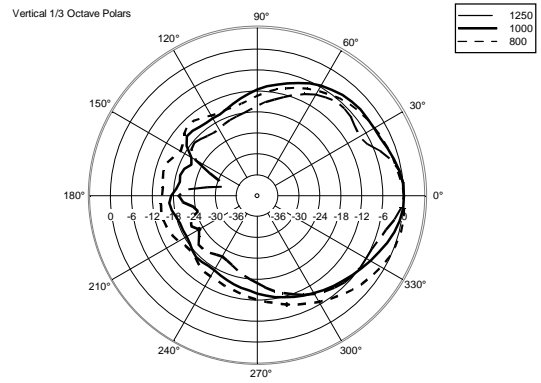
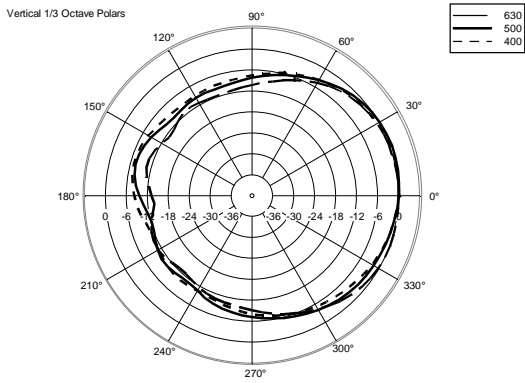
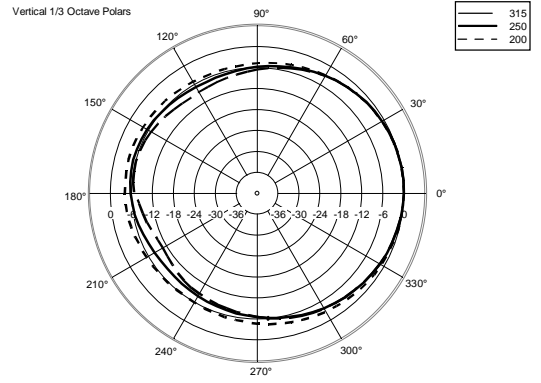
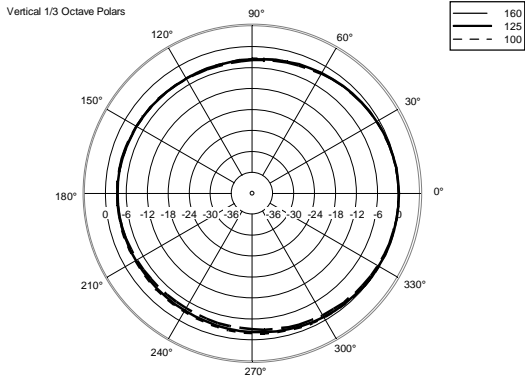


Horizontal 1/3 Octave Polars



Horizontal One Octave Polars





ACCESSORIES

AC PM-M20

PART NUMBER **13360067**
EAN: 8024530014599

AC PMX POLE MOUNT M20

PART NUMBER **13360232**
EAN: 8024530010058

AC PRO-FS PROFESS. LOCKING FLOOR STAND

PART NUMBER **13360109**
EAN: 8024530006471

AC PRO-PM PROFESS. LOCKING POLE MOUNT

PART NUMBER **13360110**
EAN: 8024530006488

COVER CVR HD 12-32

PART NUMBER **13360209**
EAN: 8024530010720

HORIZONTAL BRACKET H-BR 2X HD 12-32

PART NUMBER **13360216**
EAN: 8024530011741