

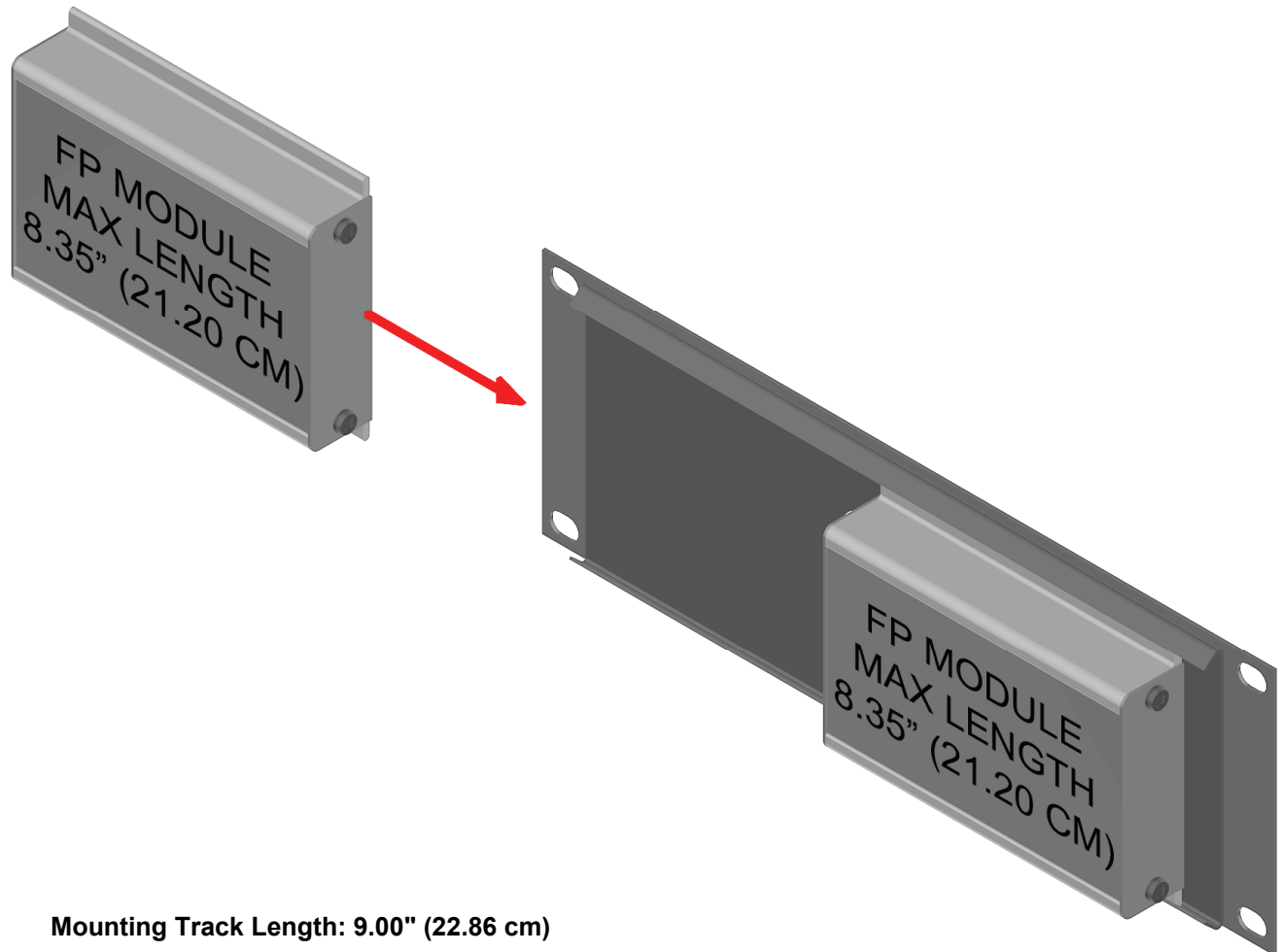
ACCESSORIES SERIES

Model FP-HRA
10.4" Rack Adapter
FLAT PAK™ Series

Installation/Operation



EN55103-1 E1-E5; EN55103-2 E1-E4
Typical Performance reflects product at publication time
exclusive of EMC data, if any, supplied with product.
Specifications are subject to change without notice.



Mounting Track Length: 9.00" (22.86 cm)

Required mounting length for multiple modules is the module length plus .65 in (1.65 cm) for each power interconnection.