



## ACCESSORIES

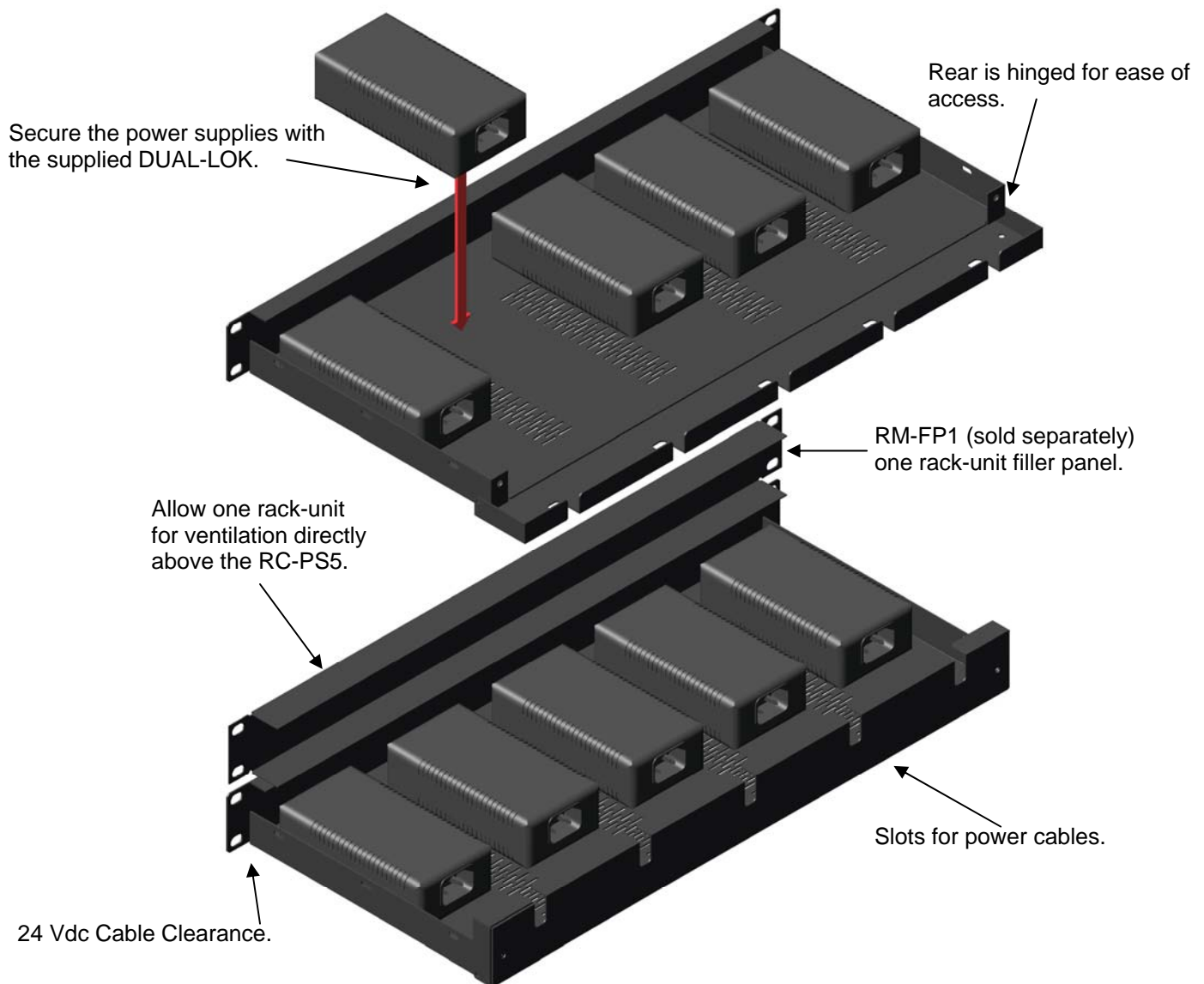
### Model RC-PS5

### Power Supply Chassis

## Installation/Operation



EN55103-1 E1-E5; EN55103-2 E1-E4  
Typical Performance reflects product at publication time  
exclusive of EMC data, if any, supplied with product.  
Specifications are subject to change without notice.



### TYPICAL PERFORMANCE

Capacity:

Compatible with all RDL desktop power supplies and with any desktop power supply with maximum dimensions:

5.8" (14.7 cm) x 3" (7.6 cm) x 1.7" (4.3 cm)

Material:

18-gauge

Finish:

RDL Black

Radio Design Labs Technical Support Centers

U.S.A. (800) 933-1780, (928) 778-3554; Fax: (928) 778-3506

Europe [NH Amsterdam] (+31) 20-6238 983; Fax: (+31) 20-6225-287