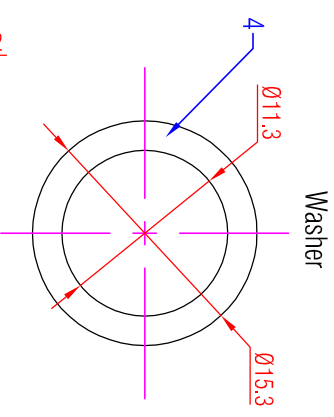
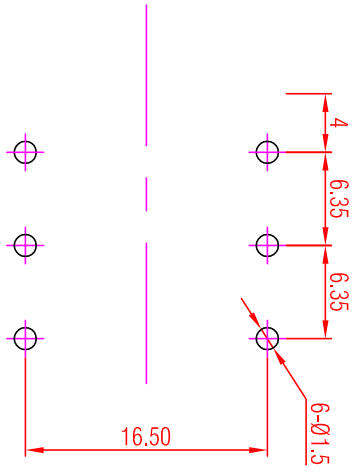
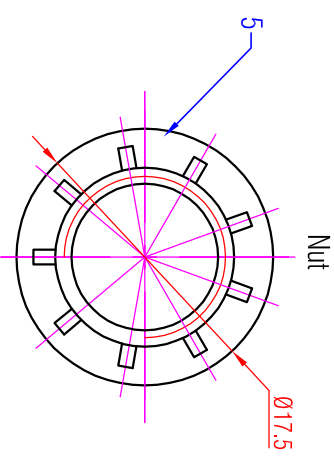
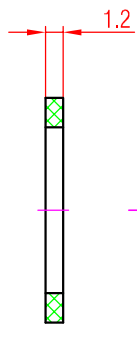


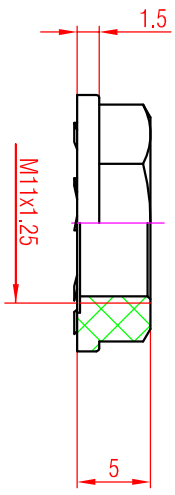
PCB Layout (Component Side)



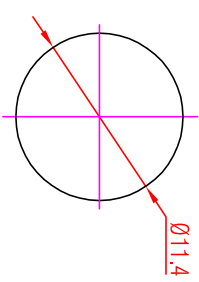
Washer



Nut



Panel Cut Out (Rear Side)



- Note:
1. All dimensions in mm.
  2. Tolerances not specified is  $\pm 0.10\text{mm}$ .
  3. Radius not specified is  $R=0.20\text{mm}$ .

5	Nut	PA6 + 30% GF (Black)
4	Washer	ABS (Black)
3	Housing	PA6 + 30% GF (Black)
2	Switched Contact	Phosphor Bronze, Gold Plated
1	Normalizing Contact	Brass, Gold Plated
No.	Part Name	Material

THIS DOCUMENT IS THE PROPERTY OF HEINRICH NO PART THEREOF MAY BE REPRODUCED AND USED WITHOUT THE PRIOR WRITTEN CONSENT OF THE OWNER		Material:	Scale:	Designer:	Date:	Name:
			2 : 1	Checked:	2015.05.27	James
				Approved:	2015.05.27	Abraham
				Replaced By:		1
				Replaces:		1
				Drawing No.:		
				<b>REAVN</b>		

Title: 1/4" Phone Stereo Jacks  
NYS216G