



SpeechLine Digital Wireless SL Lavalier Set

FEATURES

- Automatic frequency and interference management
- Excellent speech intelligibility
- Full, natural sound with low ambient noise
- Lockable 3.5 mm jack socket
- Secure 256 bit AES encryption

The SL Lavalier Set includes the bodypack transmitter, stationary receiver and everything to use or install.

It comes with the MKE 1 condenser lavalier microphone – so not just a lavalier mic, but the best and most unobtrusive one for great presentations with best speech clarity.

All sets also come with rechargeable accupacks with up to 15 hrs of operating time. The accupack is also USB rechargeable, the cable is in the box, the USB socket is presumably just a step away from you.

The two types of sets are either Rackmount Sets (-R version), which come with everything needed for rack mounting, or Case Sets (-C version), in a transport case – without rackmounts, if you do not want to install the receiver.



DELIVERY INCLUDES

- MKE 1 condenser lavalier microphone
- SL Bodypack DW
- BA 30 accupack
- SL Rack Receiver DW (incl. power supply)
- Case (-C version) or GA 4 rackmount kit (-R version)
- Pouch

ACCESSORIES

CHG 2 EU	Art. No. 505980
CHG 2 UK	Art. No. 506218
CHG 2 US	Art. No. 506219
CHG 2 AU	Art. No. 506220
CHG 4N EU	Art. No. 506800
CHG 4N UK	Art. No. 506801
CHG 4N US	Art. No. 506802
CHG 4N AU	Art. No. 506803

SPECIFICATIONS

System

AF frequency response	20 to 20,000 Hz
Dynamic range	> 120 dB(A)
THD (1 kHz)	typ. 0.1 %
Audio sampling	24 bit/48 kHz
Signal-to-noise ratio	> 90 dB(A)
Encryption	AES 256
RF frequency ranges	EU: 1,880 to 1,900 MHz USA: 1,920 to 1,930 MHz Brazil: 1,910 to 1,920 MHz Taiwan: 1,880 to 1,895 MHz Japan: 1,893 to 1,906 MHz
Modulation	GFSK with back channel
Transmission method	TDMA, space diversity
Latency	19 ms
Relative air humidity	max. 95 %
Temperature range*	Operation: -10 °C to 55 °C (14 °F to 131 °F) Storage: -20 °C to 70 °C (-4 °F to 158 °F)

* The temperature range is influenced by the battery characteristics



SpeechLine Digital Wireless SL Lavalier Set

SPECIFICATIONS

SL Rack Receiver DW

RF sensitivity	< -90 dBm	
RF output power back channel	adaptive, up to 250 mW (country-specific)	
XLR output level, balanced	max. +18 dBu	
RCA output level, unbalanced	max. +6 dBu	
Audio effects	Low cut:	-3 dB at 120 Hz
	Equalizer:	7-band graphic equalizer with sound presets
	Sound profiles:	<ul style="list-style-type: none">• female voice• male voice• instrument/media
Display	OLED	
Network protocol	Media Control Protocol, TCP/IP IPv4 (DHCP, manual)/IPv6	
Power supply	12 V DC	
Current consumption	350 mA	
AF connection sockets	XLR/2 x RCA	
Antenna sockets	2 x reverse SMA	
Network sockets	RJ-45	
DC socket for power supply	hollow jack	
Weight	approx. 828 g	

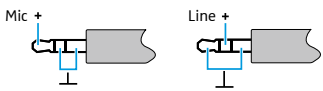
Power supply units

	NT 12-4C	NT 2-3
Nominal input voltage	100 to 240 V-	
Power frequency	50 or 60 Hz	
Input current	max. 120 mA	
Nominal output voltage	12 V $\overline{\overline{\overline{=}}}$	
Standby power consumption	≤ 0.3 W	
Energy efficiency level	V	IV
Operating temperature	-10 °C to 55 °C (14 °F to 131 °F)	
Storage temperature	-20 °C to +70 °C (-4 °F to 158 °F)	
Relative air humidity	max. 95 %	
Weight	approx. 100 g	approx. 105 g

Accupack

BA 30	
Charging capacity	2030 mAh
Output voltage	3.7 V

SL Bodypack DW

RF output power	adaptive, up to 250 mW (country-specific)	
AF frequency response	Mic:	50 to 20,000 Hz
	Line:	20 to 20,000 Hz
Max. input level	Mic:	2.2 V RMS
	Line:	3.3 V RMS
Line input impedance	1 M Ω	
Input sensitivity	automatic sensitivity adjustment	
Power supply	Accupack:	BA 30 (Li-Ion, 3.7 V)
	Batteries*:	2 x AA size battery (1.5 V)
Operating time	Accupack	typ. 15 h
	Batteries*:	typ. 11 h
AF connection socket	3.5 mm jack socket, lockable	
		
Weight (w/o accupack)	approx. 88 g	

* optional accessory

Microphone

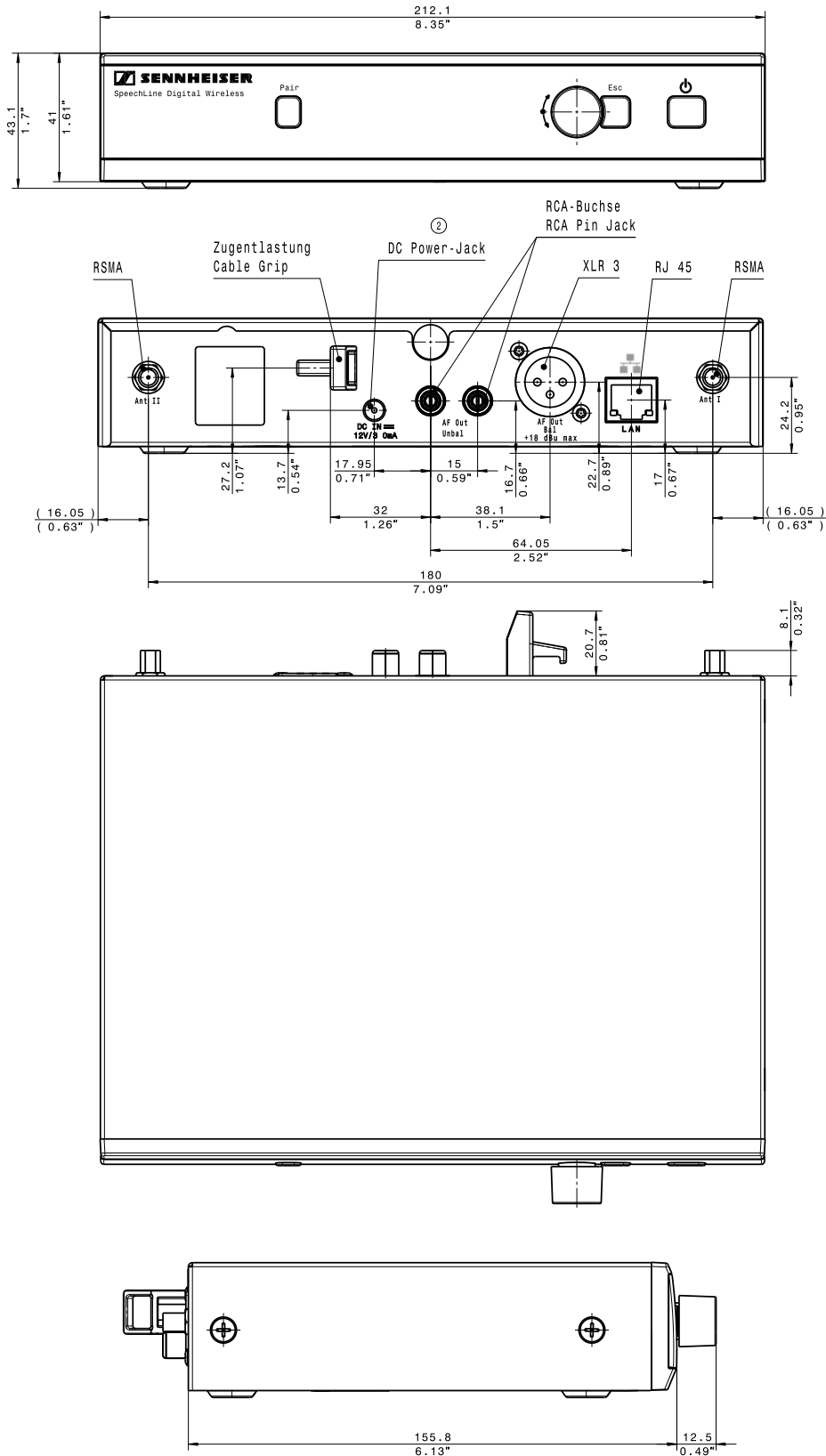
MKE 1	
Microphone type	pre-polarized condenser microphone
Sensitivity	5 mV/Pa
Pick-up pattern	omni-directional
Max. SPL	142 dB SPL



SpeechLine Digital Wireless SL Lavalier Set

DIMENSIONS

SL Rack Receiver DW

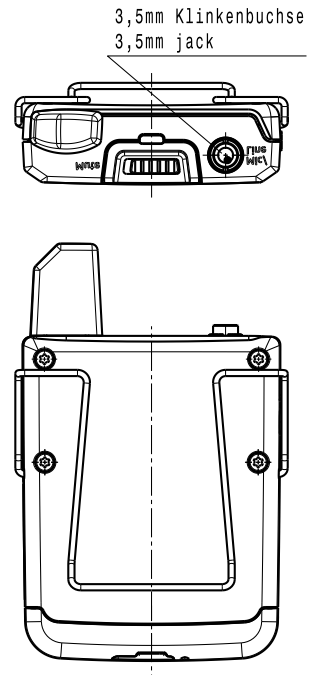
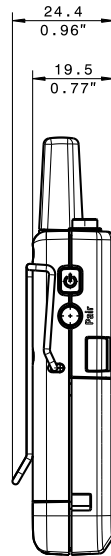
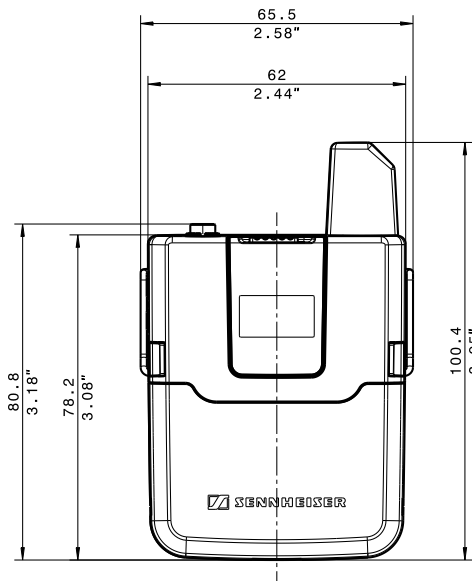




SpeechLine Digital Wireless SL Lavalier Set

DIMENSIONS

SL Bodypack DW



PRODUCT VARIANTS

Set	Art. no.	Power supply / Set version	Frequency range	Countries
SL LAVALIER SET DW-3-EU C	505879	EU power supply / Case	1,880 – 1,900 MHz	Europe, India Indonesia
SL LAVALIER SET DW-3-UK C	505889	UK power supply / Case	1,880 – 1,900 MHz	UK, Hong Kong, Singapore, Malaysia
SL LAVALIER SET DW-3-AU C	506161	AU power supply / Case	1,880 – 1,900 MHz	Australia
SL LAVALIER SET DW-4-US C	505896	US power supply / Case	1,920 – 1,930 MHz	USA, Canada
SL LAVALIER SET DW-4-EU C	506168	EU power supply / Case	1,920 – 1,930 MHz	Latin America
SL LAVALIER SET DW-5-US C	505916	US power supply / Case	1,893 – 1,906 MHz	Japan
SL LAVALIER SET DW-6-US C	505906	US power supply / Case	1,880 – 1,895 MHz	Taiwan
SL LAVALIER SET DW-7-BR C	506700	BR power supply / Case	1,910 – 1,920 MHz	Brazil
SL LAVALIER SET DW-3-EU R	505886	EU power supply / Rackmount	1,880 – 1,900 MHz	Europe, India Indonesia
SL LAVALIER SET DW-3-UK R	505893	UK power supply / Rackmount	1,880 – 1,900 MHz	UK, Hong Kong, Singapore, Malaysia
SL LAVALIER SET DW-3-AU R	506165	AU power supply / Rackmount	1,880 – 1,900 MHz	Australia
SL LAVALIER SET DW-4-US R	505903	US power supply / Rackmount	1,920 – 1,930 MHz	USA, Canada
SL LAVALIER SET DW-4-EU R	506172	EU power supply / Rackmount	1,920 – 1,930 MHz	Latin America
SL LAVALIER SET DW-5-US R	505923	US power supply / Rackmount	1,893 – 1,906 MHz	Japan
SL LAVALIER SET DW-6-US R	505913	US power supply / Rackmount	1,880 – 1,895 MHz	Taiwan
SL LAVALIER SET DW-7-BR R	506707	BR power supply / Rackmount	1,910 – 1,920 MHz	Brazil



SpeechLine Digital Wireless SL Lavalier Set

ARCHITECT'S SPECIFICATION

A wireless RF transmission system designed for presentation use and other applications where maximum speech intelligibility is required.

The system shall consist of a stationary receiver, a bodypack transmitter and a condenser clip-on microphone.

Operating in the license-free 1.9 GHz band (frequency ranges are between 1,880 and 1,930 MHz, depending on country-specific regulations), the system shall use automatic frequency management to determine the best free available frequency and to automatically start the transmission. Additionally, the system shall incorporate automatic interference management, allowing the transmitter and receiver to move to an undisturbed, compatible frequency with no audio signal interruption, should interference occur. Furthermore, advanced 256-bit AES encryption shall be used for secure wireless transmission.

The system's AF frequency response shall range from 20 – 20,000 Hz. The dynamic range shall be > 120 dB(A). Total harmonic distortion (THD) at 1 kHz shall be typical 0.1 %. Signal-to-noise ratio shall be > 90 dB(A). Latency shall be 19 ms. Operating temperature shall range from -10 °C to +55 °C (+14 °F to +131 °F).

The user interface of the receiver shall be operated by jog dial and OLED display. The receiver shall have dedicated pairing, escape and power buttons.

The receiver shall feature a low-cut filter as well as speech-optimized sound profiles or custom settings with a 7-band graphic equalizer. The receiver's RF sensitivity shall be -90 dBm. RF output power of the receiver's back channel shall be adaptive and up to 250 mW (country-specific).

The receiver's audio output shall utilize a balanced XLR-3M socket with a maximum output of +18 dBu along with two unbalanced RCA sockets with a maximum output of +6 dBu. The receiver shall feature automatic gain optimization. Two reverse SMA sockets shall be provided for connecting the antennas.

The receiver shall feature RJ-45 network connectivity compatible with IPv4 and IPv6 networks. For remote control the receiver shall have media control protocol integration.

The receiver shall operate on 12 V DC power supplied from the NT 12-4C power supply unit (100-240 V AC, 50/60 Hz, for use in the USA, the UK, and Europe) or the NT 2-3 power supply unit (100-240 V AC, 50/60 Hz, for use in countries other than the USA, the UK, and Europe). Power consumption shall be 350 mA. The dimensions shall be

approximately 168 x 212 x 43 mm (6.61" x 8.35" x 1.69"). Weight shall be approximately 828 grams (1.83 lbs). The receiver shall be the Sennheiser SL Rack Receiver DW.

The transmitter shall be powered by either one Sennheiser Lithium-Ion rechargeable accupack with a typical operating time of 15 hours or with an optional battery case for two 1.5 V AA size batteries. The accupack can be quickly charged through a wide variety of charging options, including micro USB. The accupack shall have charging contacts on the outside for charging in the dedicated CHG 2 charger.

The bodypack transmitter's microphone/line input shall utilize a lockable 3.5 mm jack socket. The AF frequency response shall range from 50 – 20,000 Hz (mic) and from 20 – 20,000 Hz (line). RF output power shall be adaptive and up to 250 mW (country-specific). The maximum input level shall be 2.2 Vrms (mic) or 3.3 Vrms (line). Input impedance shall be 1 MΩ (line). The bodypack transmitter shall have automatic sensitivity adjustment. Dimensions shall be approximately 100 x 65 x 24 mm (3.94" x 2.56" x 0.94"). Weight (without accupack) shall be approximately 88 grams (3.10 oz). The bodypack transmitter shall feature an LC display showing wireless link name, battery status, and reception quality. The bodypack transmitter shall be the Sennheiser SL Bodypack DW.

The microphone suitable for use with the bodypack transmitter shall be a condenser type with an omni-directional pick-up pattern and a sensitivity of 5 mV/Pa. Maximum sound pressure level shall be 142 dB SPL. The clip-on microphone shall be the Sennheiser MKE 1.

All devices can be monitored and controlled with the Sennheiser Control Cockpit.

The wireless RF transmission system shall be the Sennheiser SpeechLine Digital Wireless SL Lavalier Set.