



evolution wireless G4 ew 100 G4-ME3 | Headmic Set



Versatile wireless systems for those who sing, speak or play instruments with up to 42 MHz tuning bandwidth in a stable UHF range and fast, simultaneous setup of up to 12 linked systems.

For hands-free operation during performances and speeches: Robust bodypack transmitter and feedback resistant headmic ME 3-II with high speech intelligibility for daily use on stage.

FEATURES

- Engineered for professional live sound: Rugged all-in-one wireless system for singers and presenters.
- Robust bodypack transmitter and feedback resistant headmic ME 3-II with high speech intelligibility for daily use on stage
- True diversity half-rack receiver in a full-metal housing with intuitive LCD display for full control
- Easy and flexible wireless synchronization between transmitter and receiver via infrared
- Fast frequency allocation for up to 12 receivers via new linking functionality
- Up to 20 compatible channels
- Up to 42 MHz bandwidth with 1680 selectable frequencies, fully tunable in a stable UHF range
- Transmission Range: up to 100 meters / 300 feet
- High RF output power (up to 30 mW) depending on country regulations

DELIVERY INCLUDES

- EM 100 G4 true diversity receiver
- SK 100 G4 bodypack transmitter
- ME 3 headset microphone
- GA 3 rackmount set
- power supply
- 2 AA batteries
- 2 rod antennas
- RJ 10 cable
- quick guide
- safety guide
- manufacturer declaration sheet
- frequency supplement sheet



evolution wireless G4

ew 100 G4-ME3 | Headmic Set

SPECIFICATIONS

EM 100 G4

| RF characteristics | |
|--|---|
| Modulation | Wideband FM |
| Frequency ranges | A1: 470 - 516 MHz A: 516 - 558 MHz AS: 520 - 558 MHz G: 566 - 608 MHz GB: 606 - 648 MHz B: 626 - 668 MHz C: 734 - 776 MHz D: 780 - 822 MHz E: 823 - 865 MHz JB: 806 - 810 MHz K+: 925 - 937.5 MHz 1G8: 1785 - 1800 MHz |
| Receiving frequencies | Max. 1680 receiving frequencies, adjustable in 25 kHz steps 20 frequency banks, each with up to 12 factory-preset channels, no intermodulation 1 frequency bank with up to 12 programmable channels |
| Switching bandwidth | up to 42 MHz |
| Nominal/peak deviation | ± 24 kHz / ± 48 kHz |
| Receiver principle | True diversity |
| Sensitivity (with HDX, peak deviation) | $< 2.5 \mu\text{V}$ for 52 dBA _{eff S/N} |
| Adjacent channel selection | Typically ≥ 65 dB |
| Intermodulation attenuation | Typically ≥ 65 dB |
| Blocking | ≥ 70 dB |

| | |
|--------------------|---|
| Squelch | low: 5 dB μ V middle: 15 dB μ V high: 25 dB μ V |
| Pilot tone squelch | Can be switched off |
| Antenna inputs | 2 BNC sockets |

| AF characteristics | |
| --- | --- |
| Compander system | Sennheiser HDX |
| EQ presets (switchable, act on line and monitor outputs) | Preset 1: Flat Preset 2: Low Cut (-3 dB at 180 Hz) Preset 3: Low Cut/High Boost (-3 dB at 180 Hz, +6 dB at 10 kHz) Preset 4: High Boost (+6 dB at 10 kHz) |
| Signal-to-noise ratio (1 mV, peak deviation) | ≥ 110 dBA |
| Total harmonic distortion (THD) | ≤ 0.9 % |
| AF output voltage (at peak deviation, 1 kHz AF) | 6.3 mm jack socket (unbalanced): +12 dBu XLR socket (balanced): +18 dBu |
| Setting range "AF Out" | 48 dB (3 dB steps) |
| Overall device | |
| --- | --- |
| Temperature range | -10 °C to +55 °C |
| Power supply | 12 V DC |
| Current consumption | 300 mA |
| Dimensions | Approx. 190 x 212 x 43 mm |
| Weight | Approx. 980 g |

CONNECTIONS





evolution wireless G4

ew 100 G4-ME3 | Headmic Set

SPECIFICATIONS

SK 100 G4

| RF characteristics | |
|--------------------------------|---|
| Modulation | Wideband FM |
| Frequency ranges | A1: 470 - 516 MHz A: 516 - 558 MHz AS: 520 - 558 MHz G: 566 - 608 MHz GB: 606 - 648 MHz B: 626 - 668 MHz C: 734 - 776 MHz D: 780 - 822 MHz E: 823 - 865 MHz JB: 806 - 810 MHz K+: 925 - 937.5 MHz 1G8: 1785 - 1800 MHz |
| Transmission frequencies | Max. 1680 receiving frequencies, adjustable in 25 kHz steps 20 frequency banks, each with up to 12 factory-preset channels, no intermodulation 1 frequency bank with up to 12 programmable channels |
| Switching bandwidth | up to 42 MHz |
| Nominal/peak deviation | ± 24 kHz / ± 48 kHz |
| Frequency stability | $\leq \pm 15$ ppm |
| RF output power at 50 Ω | Max. 30 mW |
| Pilot tone squelch | Can be switched off |

AF characteristics

| | |
|--|---|
| Compander system | Sennheiser HDX |
| AF frequency response | Mic: 80 - 18,000 Hz Line: 25 - 18,000 Hz |
| Signal-to-noise ratio (1 mV, peak deviation) | ≥ 110 dBA |
| Total harmonic distortion (THD) | ≤ 0.9 % |
| Max. microphone/line input voltage | 3 V _{eff} |
| Microphone/line input impedance | 40 k Ω , unbalanced / 1 M Ω |
| Input capacitance | Switchable |
| Setting range for input sensitivity | 60 dB, adjustable in 3 dB steps |

Overall device

| | |
|--------------------------|--|
| Temperature range | -10 °C to +55 °C |
| Power supply | 2 AA batteries, 1.5 V or BA 2015 accupack |
| Nominal voltage | 3 V battery / 2.4 V rechargeable battery |
| Current consumption | at nominal voltage: typ. 180 mA with transmitter switched off: ≤ 25 μ A |
| Operating time | Typically 8 h |
| Dimensions | Approx. 82 x 64 x 24 mm |
| Weight (incl. batteries) | approx. 160 g |

SPECIFICATIONS

ME 3

| | |
|----------------------|------------------------------------|
| Transducer principle | pre-polarized condenser microphone |
| Sensitivity | 1.6 mV/Pa |
| Sound pressure level | 150 dB SPL |
| Pick-up pattern | cardioid |
| Connector | 3.5 mm jack |
| Cable length | approx. 1.60 m |
| Temperature range | -10 °C to +55 °C |



evolution wireless G4

ew 100 G4-ME3 | Headmic Set

PRODUCT VARIANTS

Made in Germany

| | | |
|--------------------------|-----------------|-----------------|
| ew 100 G4-ME3-A1 | 470 - 516 MHz | Art. no. 507517 |
| ew 100 G4-ME3-A | 516 - 558 MHz | Art. no. 507518 |
| ew 100 G4-ME3-GB | 606 - 648 MHz | Art. no. 507519 |
| ew 100 G4-ME3-G | 566 - 608 MHz | Art. no. 507520 |
| ew 100 G4-ME3-B | 626 - 668 MHz | Art. no. 507521 |
| ew 100 G4-ME3-C | 734 - 776 MHz | Art. no. 507522 |
| ew 100 G4-ME3-E | 823 - 865 MHz | Art. no. 507523 |
| ew 100 G4-ME3-1G8 | 1785 - 1800 MHz | Art. no. 507524 |
| ew 100 G4-ME3-K+ | 925 - 937.5 MHz | Art. no. 507525 |

Assembled in USA

| | | |
|-------------------------|---------------|-----------------|
| ew 100 G4-ME3-A1 | 470 - 516 MHz | Art. no. 507871 |
| ew 100 G4-ME3-A | 516 - 558 MHz | Art. no. 507872 |
| ew 100 G4-ME3-AS | 520 - 558 MHz | Art. no. 507873 |
| ew 100 G4-ME3-G | 566 - 608 MHz | Art. no. 507874 |
| ew 100 G4-ME3-B | 626 - 668 MHz | Art. no. 507875 |
| ew 100 G4-ME3-C | 734 - 776 MHz | Art. no. 507876 |
| ew 100 G4-ME3-D | 780 - 822 MHz | Art. no. 507877 |
| ew 100 G4-ME3-JB | 806 - 810 MHz | Art. no. 507878 |

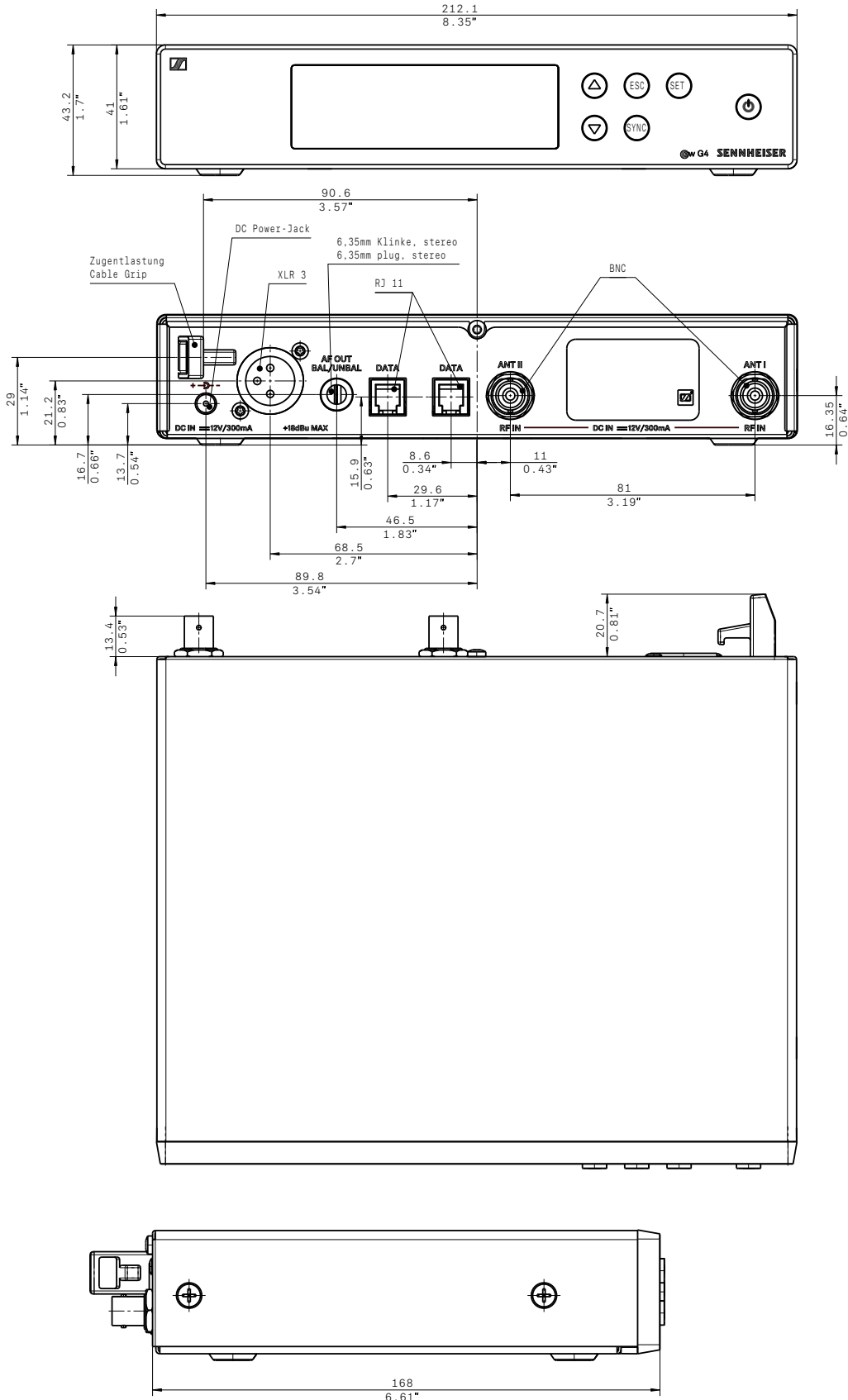


evolution wireless G4

ew 100 G4-ME3 | Headmic Set

DIMENSIONS

EM 100 G4

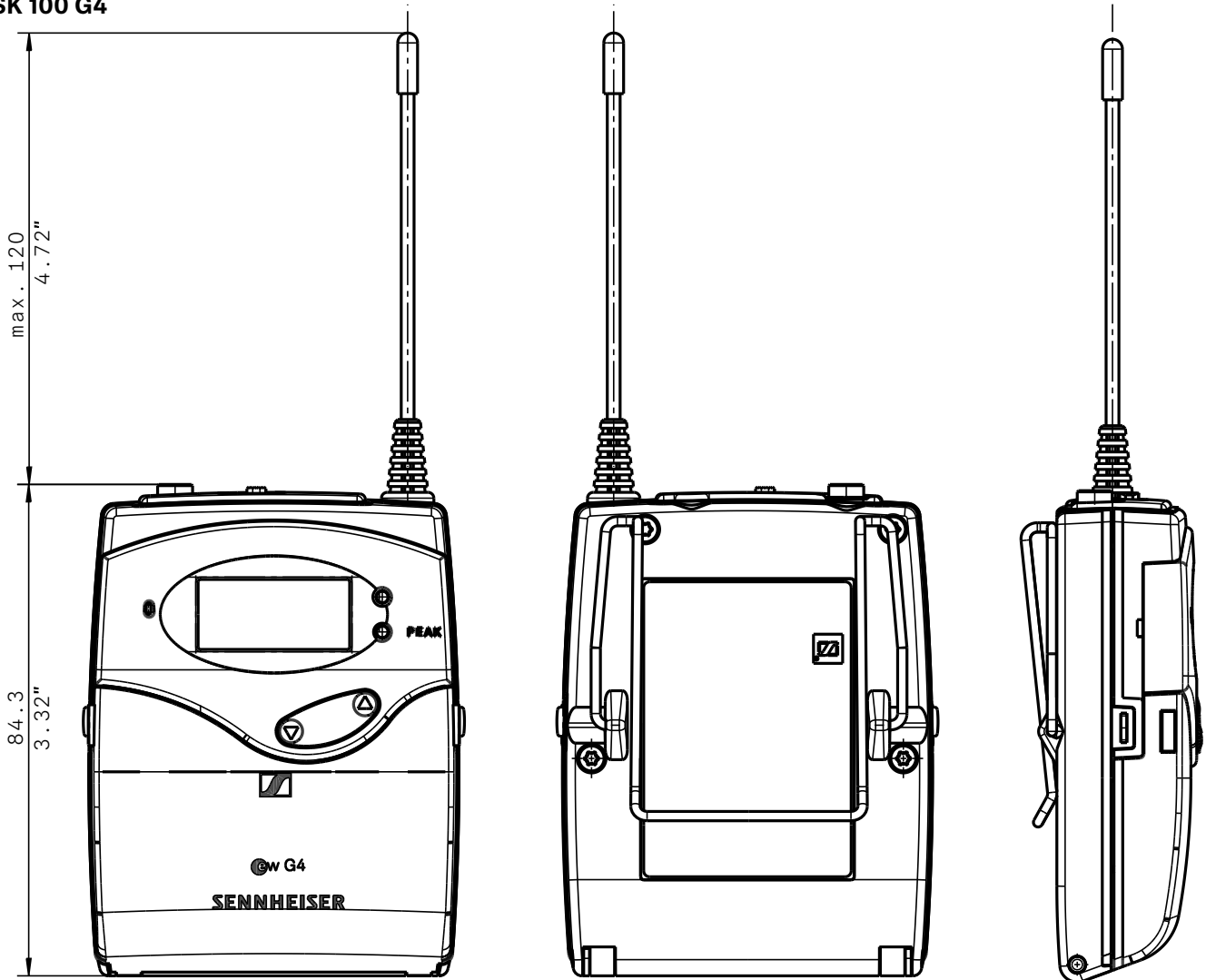




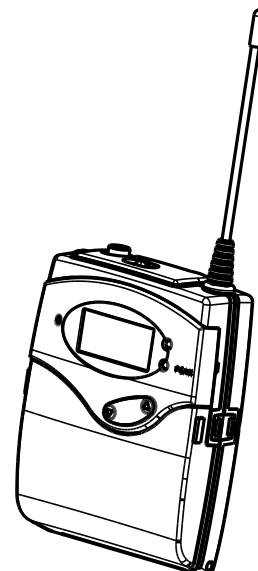
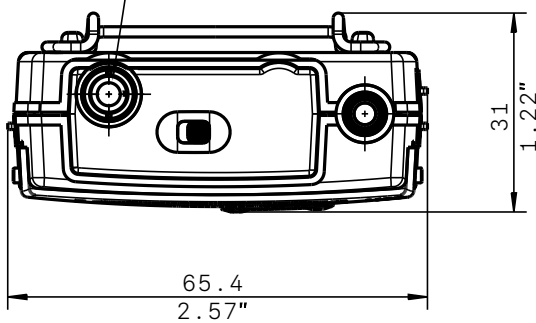
evolution wireless G4 ew 100 G4-ME3 | Headmic Set

DIMENSIONS

SK 100 G4



3,5mm Klinke
3,5mm plug





evolution wireless G4

ew 100 G4-ME3 | Headmic Set

ARCHITECT'S SPECIFICATION

A wireless RF transmission system consisting of a stationary receiver, a bodypack transmitter and a headset microphone.

The system shall operate within twelve UHF frequency ranges, with a switching bandwidth of up to 42 MHz: 470 – 516 MHz, 516 – 558 MHz, 520 – 558 MHz, 566 – 608 MHz, 606 – 648 MHz, 626 – 668 MHz, 734 – 776 MHz, 780 – 822 MHz, 823 – 865 MHz, 806 – 810 MHz, 925 – 937.5 MHz, 1785 – 1800 MHz; receiving frequencies shall be 1,680 per range and shall be tunable in 25 kHz steps. The system shall feature 20 fixed frequency banks with up to 12 compatible frequency presets and 1 user bank with up to 12 user programmable frequencies.

The receiver shall be menu-driven with a backlit LC display showing the current frequency, frequency bank and channel number, metering of RF level, metering of AF level, lock status, pilot tone evaluation, muting function, and battery status of the associated transmitter. An auto-lock feature shall be provided to prevent settings from being accidentally altered. The receiver shall feature an integrated guitar tuner and shall provide a sound check mode.

Some receiver parameters such as receiving frequency, receiver name and pilot tone setting shall be synchronizable with the associated transmitter via an integrated infrared interface.

The receiver shall feature a balanced XLR-3M audio output with a maximum output of +18 dBu along with an unbalanced ¼" (6.3 mm) audio output with a maximum output of +12 dBu. The receiver shall have two DATA ports (RJ 10) to set up a multichannel system. Two BNC-type input sockets shall be provided for connecting the antennas.

Nominal/peak deviation shall be ± 24 kHz/ ± 48 kHz. Squelch threshold shall be adjustable to three levels: Low (5 dB μ V), Middle (15 dB μ V) and High (25 dB μ V).

The receiver shall incorporate the Sennheiser HDX compander system and a defeatable pilot tone squelch. Sensitivity shall be < 2 μ V for 52 dBA eff S/N with HDX engaged at peak deviation. Adjacent channel rejection shall be ≥ 65 dB (typical). Intermodulation attenuation shall be ≥ 65 dB (typical); blocking shall be ≥ 70 dB. Four selectable equalizer presets shall be provided: "Flat", "Low Cut" (-3 dB at 180 Hz), "Low Cut/High Boost" (-3 dB at 180 Hz/+6 dB at 10 kHz) and "High Boost" (+6 dB at 10 kHz).

Signal-to-noise ratio at 1 mV and peak deviation shall be ≥ 110 dBA. Total harmonic distortion (THD) shall be ≤ 0.9 %. The audio output level shall be adjustable within a 48 dB range in steps of 3 dB.

The receiver shall operate on 12 V power supplied from the NT 2-3 CW mains unit (for 100 – 240 V AC, 50/60 Hz). Power consumption shall be 300 mA. The receiver shall have a rugged metal housing; dimensions shall be approximately 190 x 212 x 43 mm (7.48" x 8.35" x 1.69"). Weight shall be approximately 980 grams (2.16 lbs). Operating temperature shall range from -10 °C to +55 °C (+14 °F to +131 °F).

The receiver shall be the Sennheiser EM 100 G4.

The transmitter shall be menu-driven with a backlit LC display showing the current frequency, frequency bank and channel number, metering of AF level, transmission status, lock status, pilot tone transmission, muting function, and battery status. An auto-lock feature shall be provided to prevent settings from being accidentally altered.

The transmitter parameters shall either be configurable in the associated receiver's menu and synchronized with the transmitter via an integrated infrared interface or shall be programmable in the transmitter menu.

The transmitter shall be equipped with a mute switch, which shall be switchable between "AF on/off", "RF on/off" and "Disabled" via the user interface.

Nominal/peak deviation shall be ± 24 kHz/ ± 48 kHz. Frequency stability shall be $\leq \pm 15$ ppm. RF output power at 50 Ω shall be 30 mW (typical).

The transmitter shall incorporate the Sennheiser HDX compander system and a defeatable pilot tone squelch. Audio frequency response shall range from 80 – 18,000 Hz (microphone) or 25 – 18,000 Hz (line). Signal-to-noise ratio at 1 mV and peak deviation shall be ≥ 110 dBA. Total harmonic distortion (THD) shall be ≤ 0.9 %. Input sensitivity shall be adjustable within a 60 dB range in steps of 3 dB.

Power shall be supplied to the transmitter by two 1.5 V AA size batteries or by one Sennheiser BA 2015 rechargeable accupack. Nominal voltage shall be 2.4 V for a rechargeable battery or 3 V for a battery, current consumption shall be typical 180 mA at nominal voltage; ≤ 25 μ A when transmitter is switched off. Operating time shall be typical 8 hours. The transmitter shall have a rugged metal housing; dimensions shall be approximately 82 x 64 x 24 mm (3.23" x 2.52" x 0.94"). Weight including the batteries shall be approximately 160 grams (0.35 lbs). Operating temperature shall range from -10 °C to +55 °C (+14 °F to +131 °F).

The transmitter shall be the Sennheiser SK 100 G4.