



SpeechLine Digital Wireless SL Boundary 114-S DW

FEATURES

- Wireless inductive charging
- Compatible with SpeechLine Digital Wireless family
- Remote monitoring and control with the Sennheiser Control Cockpit

The SL Boundary 114-S DW is part of the SpeechLine Digital Wireless product family and dedicated to speech. It is optimized for speech transmission in conference rooms. Being independent from any cables, the SL Boundary 114-S DW offers highly flexible application possibilities for users.

Featuring inductive charging the SL Boundary 114-S DW can either be charged wirelessly or via USB. The wireless power transmitter CHG 2W for two mobile devices is available separately.

The SL Boundary 114-S DW provides clear battery life indication via dedicated battery status LEDs. The SL Boundary 114-S DW is also compatible with the SL Rack Receiver DW and can be monitored and controlled remotely with the Sennheiser Control Cockpit.

ARCHITECT'S SPECIFICATION

The wireless boundary layer microphone shall be optimized for speech transmission in conference rooms. The boundary layer microphone shall be powered by one Sennheiser Lithium-Ion rechargeable accupack with a typical operating time of 13 hours and shall support wireless charging as well as charging via USB. In addition, the boundary layer microphone shall be capable of being remotely controlled and monitored via the Sennheiser Control Cockpit software.

RF output power shall be adaptive and up to 250 mW (country-specific). The AF frequency response shall range from 40 – 20,000 Hz. The maximum input level shall be 1.7 V_{rms} and input impedance shall be 30 kΩ. The boundary layer microphone shall have automatic sensitivity adjustment.

Dimensions shall be 114 x 85.3 x 30.8 mm (4.49" x 3.36" x 1.21"). Weight (without accupack) shall be approximately 208 grams. Operating temperature shall range from 10 °C to 45 °C (50 °F to 113 °F).

The wireless boundary layer microphone shall be the Sennheiser SL Boundary 114-S DW.



DELIVERY INCLUDES

- SL Boundary 114-S DW
- Quick Guide
- Safety Guide

ACCESSORIES

CHG 2W	Art. No. 506805
BA 40	Art. No. 506656

SPECIFICATIONS

AF frequency response	40 to 20,000 Hz
Pickup pattern	cardioid
Dynamic range	<100 dB(A)
Sensitivity	10 mV/PA
Power supply	BA 40 accupack (Li Ion 3.6 V)
Operating time	Accupack: typ. 13 h
Relative air humidity	max. 95 %
Temperature range*	Operation: 10 °C to 45 °C (50 °F to 113 °F) Storage: -20 °C to 70 °C (-4 °F to 158 °F)
Dimensions	114 x 85.3 x 30.8 mm (4.49" x 3.36" x 1.21")
Weight	approx. 208 g (without accupack)

* The temperature range is influenced by the battery characteristics



SpeechLine Digital Wireless

SL Boundary 114-S DW

PRODUCT VARIANTS

SL Boundary 114-S DW-3 B

Art. No. 506607

black

-3 EU variant

1,880 to 1,900 MHz

Europe & UK, India, Indonesia, Hong Kong, Singapore, Malaysia, Australia

SL Boundary 114-S DW-4 B

Art. No. 506623

black

-4 US variant

1,920 to 1,930 MHz

USA, Canada, Latin America

SL Boundary 114-S DW-5 B

Art. No. 506646

black

-5 US variant

1,893 to 1,906 MHz

Japan

SL Boundary 114-S DW-6 B

Art. No. 506636

black

-6 US variant

1,880 to 1,895 MHz

Taiwan

SL Boundary 114-S DW-7 B

Art. No. 506965

black

-7 BR variant

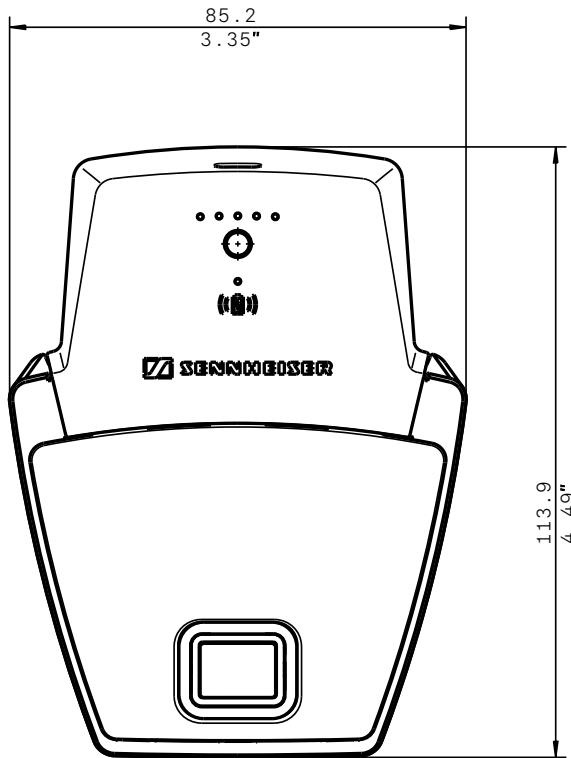
1,910 to 1,920 MHz

Brazil

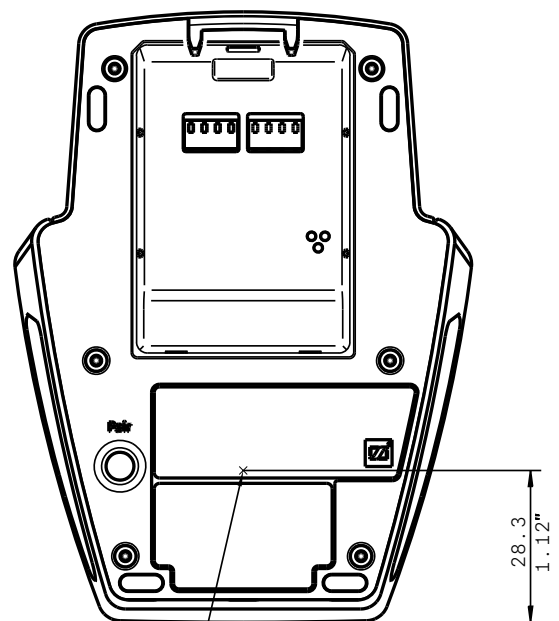
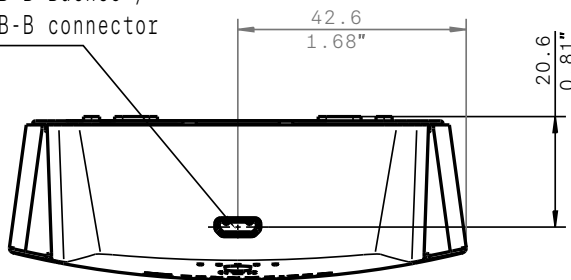


SpeechLine Digital Wireless SL Boundary 114-S DW

DIMENSIONS



USB2 Micro-USB-B Buchse /
USB2 micro USB-B connector



Zentrum drahtlose Energieübertragung
center wireless charging