

# HSP 2/HSP 4

## Product News

HSP 2 and HSP 4 are high-quality condenser headmics designed for professional "hands free" applications. Their adjustable neckband is visually unobtrusive and very comfortable to wear. Both HSP 2 and HSP 4 are available in two different sizes.



### Common features of HSP 2 and HSP 4

- Individually adjustable to all head sizes
- Neckband design keeps the microphone clear from shirt-collar or clothing
- Microphone boom is adjustable in length and angle
- Detachable, replaceable cable
- All metal parts are coated in a physical vapour deposition process
- Twist-proof microphone boom

### Delivery includes

- Neckband with two holders for the microphone boom
- HSP 2/HSP 4 boom microphone
- Connection cable
- 10 self-adhesive pads for the inside of the microphone boom holder
- Plastic transport case
- Instructions for use
- Warranty Certificate

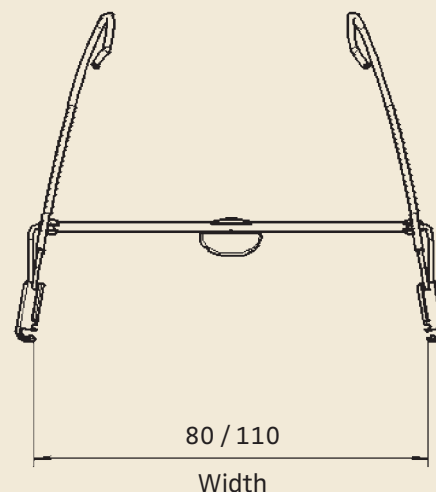
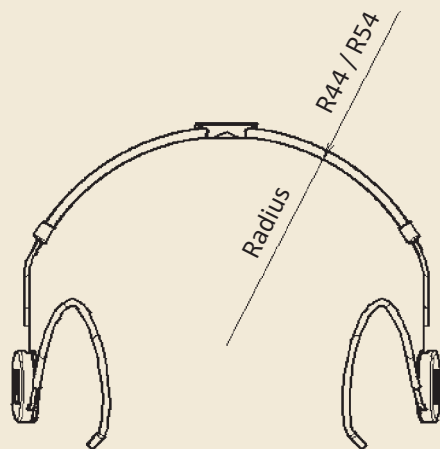
## Special Features

### HSP 2

- Omni-directional pick-up pattern
- Patented Umbrella Diaphragm protects the microphone against sweat
- Extremely thin microphone boom ( $\varnothing$  1.1 mm), interchangeable, can be attached to the left or right side
- Two MZC 2 caps for altering the frequency response
- Can also be used with the cardioid HSP 4 boom microphone
- HSP 2-M: variant with smaller neckband and shorter microphone boom

### HSP 4

- Cardioid pick-up pattern
- Microphone cap with integrated windshield
- Very thin microphone boom ( $\varnothing$  2.0 mm), interchangeable, can be attached to the left or right side
- MZW 4 foam windshield can optionally be used
- Flexible gooseneck
- Can also be used with the omni-directional HSP 2 boom microphone
- HSP 4-M: variant with smaller neckband and shorter microphone boom



### Dimensions of the variant sizes

	HSP 2	HSP 2-M	HSP 4	HSP 4-M
Width of neckband	110 mm	80 mm	110 mm	80 mm
Radius of neckband	54 mm	44 mm	54 mm	44 mm
Length of microphone boom	138 mm	112 mm	183 mm	153 mm

# Specifications and Accessories

Specifications	HSP 2	HSP 2-M	HSP 4	HSP 4-M
Frequency response	20 – 20,000 Hz ± 3 dB	20 – 20,000 Hz ± 3 dB	40 – 20,000 Hz ± 3 dB	40 – 20,000 Hz ± 3 dB
Pick-up pattern	omni-directional	omni-directional	cardioid	cardioid
Nominal impedance (at 1 kHz)	1000 Ω	1000 Ω	1000 Ω	1000 Ω
Min. terminating impedance	4.7 kΩ	4.7 kΩ	4.7 kΩ	4.7 kΩ
Sensitivity	2 mV/Pa	2 mV/Pa	4 mV/Pa	4 mV/Pa
Diameter of mic capsule	4.8 mm	4.8 mm	8.4 mm	8.4 mm
Max. sound pressure level	150 dB	150 dB	150 dB	150 dB
Equivalent noise level	28 dB (A)	28 dB (A)	37 dB (A)	37 dB (A)
Supply current	250 μA	250 μA	250 μA	250 μA
Power supply	4.5 – 15 V	4.5 – 15 V	4.5 – 15 V	4.5 – 15 V
Cable length	1.6 m	1.6 m	1.6 m	1.6 m
Diameter of boom arm	1.1 mm	1.1 mm	2.0 mm	2.0 mm
Weight of boom arm	2.1 g	2.0 g	4.8 g	4.0 g
Connector	see Product Variants	see Product Variants	see Product Variants	see Product Variants
Weight of neckband	4.4 g	4.0 g	4.4 g	4.0 g

Accessories		HSP 2/HSP 4
HSP neckband with 2 holders	anthracite beige	Cat. No. 511709 Cat. No. 511710
HSP-M neckband with 2 holders	anthracite beige	Cat. No. 515278 Cat. No. 515279
HSP-M boom microphone, omni-directional	anthracite beige	Cat. No. 515280 Cat. No. 515281
HSP-M boom microphone, cardioid	anthracite beige	Cat. No. 515282 Cat. No. 515283
HSP boom microphone, omni-directional	beige anthracite	Cat. No. 511711 Cat. No. 511712
HSP boom microphone, cardioid	beige anthracite	Cat. No. 511713 Cat. No. 511714
Windshield cap, cardioid	anthracite beige	Cat. No. 511715 Cat. No. 511716
Cable with 3-pin lockable special connector	black beige	Cat. No. 511717 Cat. No. 511718
Steel wire cable with 3.5 mm ew mini-jack	black beige	Cat. No. 511719 Cat. No. 511720

Accessories		HSP 2/HSP 4
Steel wire cable with open ends	black beige	Cat. No. 511721 Cat. No. 511722
Plastic transport case		Cat. No. 511723
MZA 900 P phantom power adapter		Cat. No. 500226
MZC 2-1 cap, short, omni-directional	anthracite beige	Cat. No. 085842 Cat. No. 085843
MZC 2-2 cap, long, omni-directional	anthracite beige	Cat. No. 085839 Cat. No. 085840
MZW 2 windshield, omni-directional	black beige	Cat. No. 047185 Cat. No. 047186
Pads, 10 pieces	anthracite white	Cat. No. 515287 Cat. No. 515288
MZW 4 windshield for HSP 4	black beige	Cat. No. 510862 Cat. No. 510863

# Product Variants

## Product Variants HSP 2 Headmic (condenser, omni-directional)

Very thin, flexible connection cable with 3-pin lockable special connector for Sennheiser SK 50, SK 250, SK 5012 and SK 3063 bodypack transmitters.

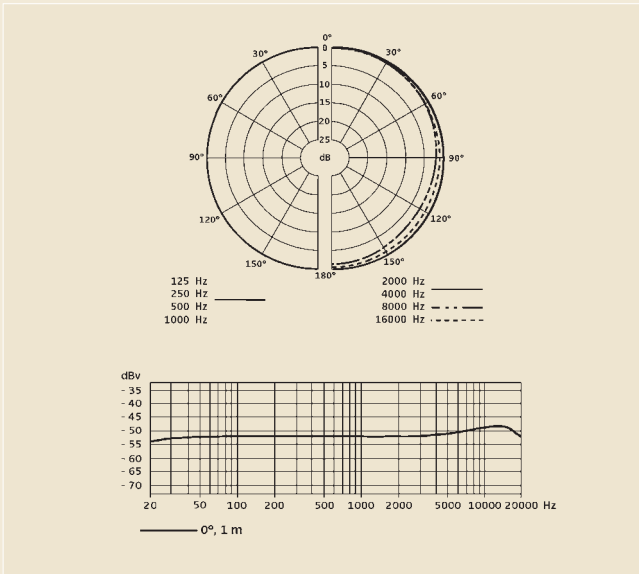
HSP 2	anthracite	Cat. No. 009862
HSP 2-3	beige	Cat. No. 009863
HSP 2-M	anthracite	Cat. No. 500694
HSP 2-3-M	beige	Cat. No. 500690

Steel wire cable with 3.5 mm mini-jack for connection to SK 100, SK 300 and SK 500 evolution wireless series bodypack transmitters. For wired applications, the headmic can be used with the intelligent MZA 900 P phantom power adapter.

HSP 2-ew	anthracite	Cat. No. 009866
HSP 2-ew-3	beige	Cat. No. 009872
HSP 2-ew-M	anthracite	Cat. No. 500693
HSP 2-ew-3-M	beige	Cat. No. 500692

Steel wire cable with open ends.

HSP 2-5	anthracite	Cat. No. 009868
HSP 2-5-3	beige	Cat. No. 009869
HSP 2-5-M	anthracite	Cat. No. 500691
HSP 2-3-5-M	beige	Cat. No. 500689



## Product Variants HSP 4 Headmic (condenser, cardioid)

Very thin, flexible connection cable with 3-pin lockable special connector for Sennheiser SK 50, SK 250, SK 5012 and SK 3063 bodypack transmitters.

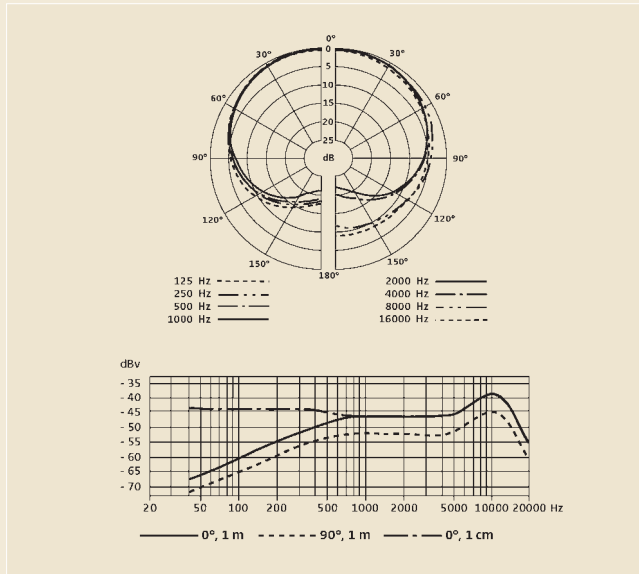
HSP 4	anthracite	Cat. No. 009864
HSP 4-3	beige	Cat. No. 009865
HSP 4-M	anthracite	Cat. No. 500700
HSP 4-3-M	beige	Cat. No. 500696

Steel wire cable with 3.5 mm mini-jack for connection to SK 100, SK 300 and SK 500 evolution wireless series bodypack transmitters. For wired applications, the headmic can be used with the intelligent MZA 900 P phantom power adapter.

HSP 4-ew	anthracite	Cat. No. 009867
HSP 4-ew-3	beige	Cat. No. 009873
HSP 4-ew-M	anthracite	Cat. No. 500699
HSP 4-ew-3-M	beige	Cat. No. 500698

Steel wire cable with open ends.

HSP 4-5	anthracite	Cat. No. 009870
HSP 4-5-3	beige	Cat. No. 009871
HSP 4-5-M	anthracite	Cat. No. 500697
HSP 4-3-5-M	beige	Cat. No. 500695



### Sennheiser electronic GmbH & Co. KG

Am Labor 1, 30900 Wedemark, Germany  
 Phone: +49 (51 30) 600-0, Fax: +49 (51 30) 600-300  
 www.sennheiser.com

