

e 901

Condenser microphone for kick drum

FEATURES

- Frequency response optimized for kick drum
- Very fast attack
- Integrated preamp and gold-plated standard XLR plug, no need for special adapter cable
- No microphone stand needed for kick drum applications, just lay it on a towel or pillow
- Handles very high sound pressure levels
- Slip-free, dampening rubber pad underneath
- redundant

High-quality pre-polarised condenser microphone with half-cardioid pick-up pattern, especially suitable for use with kick drums. The extremely thin, high-strength diaphragm delivers a very low bass response and fast transient signals. Incidental rear noise is effectively rejected.



ARCHITECT'S SPECIFICATIONS

The microphone shall be a half-cardioid pre-polarized condenser designed for use with kick drums. It shall have an unobtrusive, flat housing with an extremely rugged, step-resistant sound inlet basket and shall feature a rubber damping plate on the base. The microphone shall have an integrated preamp. The frequency response shall be 20 Hz–20,000 Hz and the sensitivity (free field, no load) shall be 0.5 mV/Pa at 1 kHz. Nominal impedance shall be less than 100 Ω , with a min. terminating impedance of 1 k Ω . Maximum SPL shall be 154 dB. The microphone shall operate on 48 V phantom power and shall provide a gold-plated 3-pin XLR connector. Dimensions shall be 126.5 x 105 x 26.5 mm (4.98" x 4.13" x 1.04"). Weight without cable shall be approximately 550 grams (19.40 oz). The microphone shall be the Sennheiser e 901.

TECHNICAL DATA

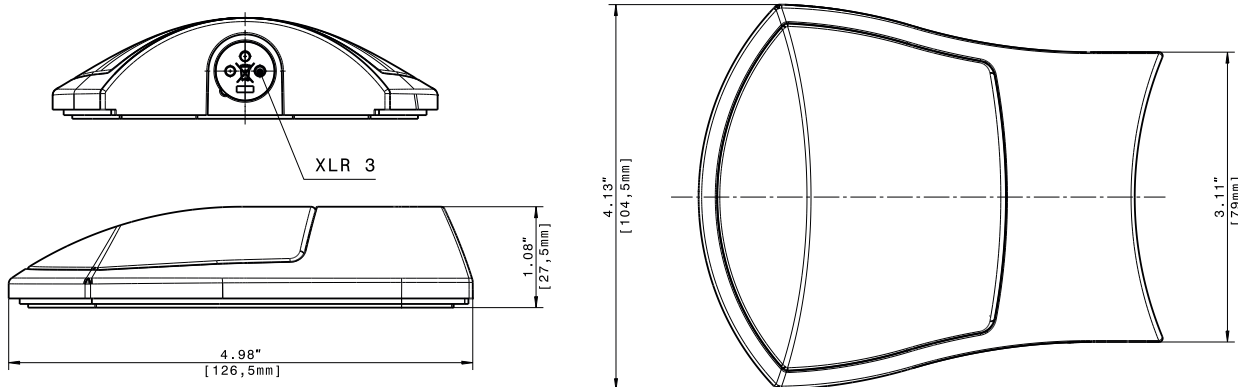
Transducer principle	pre-polarized condenser microphone
Pick-up pattern.....	half-cardioid
Frequency response	20.....20,000 Hz
Sensitivity (free field, no load at 1 kHz)	0.5 mV/Pa
Nominal impedance.....	< 100 Ohm
Min. terminating impedance	1000 Ohm
Max. sound pressure level (active).....	154 dB / SPL
Phantom powering.....	48 V / 1.1 mA
Connector.....	XLR-3
Dimensions.....	126.5 x 105 x 26.5 mm
Weight w/o cable.....	approx 550 g

DELIVERY INCLUDES

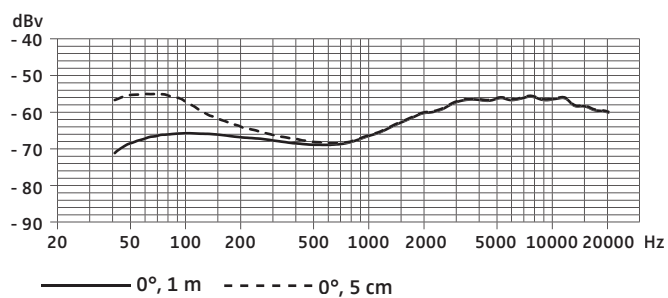
- 1 e 901
- 1 pouch
- Instructions for use

e 901 Condenser microphone for kick drum

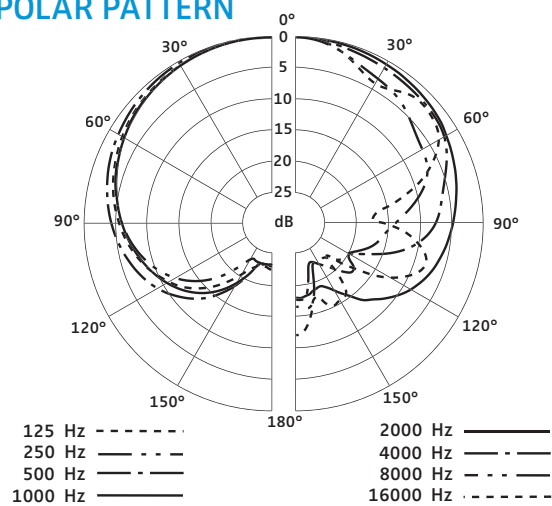
DIMENSIONS



FREQUENCY RESPONSE



POLAR PATTERN



Sennheiser electronic GmbH & Co. KG
 Am Labor 1, 30900 Wedemark, Germany
www.sennheiser.com

