



Evolution Wireless Digital EW-DX SK | EW-DX SK 3-PIN Bodypack Transmitter



EW-DX SK



EW-DX SK 3-PIN

Compact and versatile bodypack transmitter for use with Evolution Wireless Digital receivers - with 3,5 mm jack or 3-pin connector variants.

FEATURES

- 3,5 mm jack or 3-pin connector variants
- 10mW RF power with up to 100m/328ft working range
- Charging contacts for in-device charging with CHG 70N
- Persistent elnk display - parameters visible on screen even when device is not powered on
- Programmable mute switch - customize the device depending on your professional needs
- Extended runtime with lithium ion batteries - up to 12 hours operation time
- Mic input trim control
- Metal housing

DELIVERY INCLUDES

- EW-DX SK bodypack transmitter
- clip
- batteries (AA)
- pouch
- quick guide
- safety guide
- manufacturer declaration sheet



Evolution Wireless Digital

EW-DX SK | EW-DX SK 3-PIN

Bodypack Transmitter

SPECIFICATIONS

System		EW-DX SK (Bodypack Transmitter)		
Audio link frequency ranges	Q1-9 R1-9 S1-10 S2-10 S4-10 U1/5 V3-4 V5-7 Y1-3	470.2 - 550 MHz 520 - 607.8 MHz 606.2 - 693.8 MHz 614.2 - 693.8 MHz 630 - 693.8 MHz 823.2 - 831.8 MHz & 863.2 - 864.8 MHz 925.2 - 937.3 MHz 941.7 - 951.8 MHz & 953.05 - 956.05 MHz & 956.65 - 959.65 MHz 1785.2 - 1799.8 MHz	Input voltage Input current Power supply Occupied bandwidth Transmit power (radiated) Dimensions (without antenna) Weight (without batteries)	2.0 - 4.35 V < 300 mA 2 AA batteries 1.5 V (alkali manganese) or BA 70 rechargeable battery pack 200 kHz Audio link: 10 mW ERP (Range Y1-3: 12 mW ERP) LD mode: 10 mW ERP BLE: max. 10 mW EIRP 63.5 x 85 x 20 mm (2.5" x 3.35" x 0.79") approx. 115-120 g (0.26-0,27 - lbs)
Bluetooth® Low Energy (BLE) frequency range	2402 - 2480 MHz			
Audio frequency response	20 Hz - 20 kHz (-3 dB) @ 3 dBfs			
Audio THD	≤ -60 dB for 1 kHz @ -3 dBfs input level			
Dynamic range	134 dB			
System latency	1.9 ms			
Operating temperature	-10 °C - +55 °C (14 °F - 131 °F)			
Relative humidity	5 - 95 % (non-condensing)			

PRODUCT VARIANTS

EW-DX SK (Q1-9)	470.2 - 550 MHz	Art. no. 509384
EW-DX SK (R1-9)	520 - 607.8 MHz	Art. no. 509385
EW-DX SK (S1-10)	606.2 - 693.8 MHz	Art. no. 509386
EW-DX SK (S2-10)	614.2 - 693.8 MHz	Art. no. 509389
EW-DX SK (S4-10)	630 - 693.8 MHz	Art. no. 509390
EW-DX SK (U1/5)	823.2 - 831.8 MHz & 863.2 - 864.8 MHz	Art. no. 509391
EW-DX SK (V3-4)	925.2 - 937.3 MHz	Art. no. 509393
EW-DX SK (V5-7)	941.7 - 951.8 MHz & 953.05 - 956.05 MHz & 956.65 - 959.65 MHz	Art. no. 509394
EW-DX SK (Y1-3)	1785.2 - 1799.8 MHz	Art. no. 509397
EW-DX SK 3-PIN (Q1-9)	470.2 - 550 MHz	Art. no. 509398
EW-DX SK 3-PIN (R1-9)	520 - 607.8 MHz	Art. no. 509399
EW-DX SK 3-PIN (S1-10)	606.2 - 693.8 MHz	Art. no. 509400
EW-DX SK 3-PIN (S2-10)	614.2 - 693.8 MHz	Art. no. 509403
EW-DX SK 3-PIN (S4-10)	630 - 693.8 MHz	Art. no. 509404
EW-DX SK 3-PIN (U1/5)	823.2 - 831.8 MHz & 863.2 - 864.8 MHz	Art. no. 509405
EW-DX SK 3-PIN (V3-4)	925.2 - 937.3 MHz	Art. no. 509407
EW-DX SK 3-PIN (V5-7)	941.7 - 951.8 MHz & 953.05 - 956.05 MHz & 956.65 - 959.65 MHz	Art. no. 509408
EW-DX SK 3-PIN (Y1-3)	1785.2 - 1799.8 MHz	Art. no. 509411



Evolution Wireless Digital

EW-DX SK | EW-DX SK 3-PIN

Bodypack Transmitter

MICROPHONE COMPATIBILITY

Lavalier and headset microphones compatible with the EW-DX SK bodypack transmitter

ME 2	Omni-directional lavalier microphone Models produced from 2021 onward, featuring a gold-plated connector*
ME 4	Cardioid lavalier microphone Models produced from 2021 onward, featuring a gold-plated connector*
MKE Essential Omni	Omni-directional lavalier microphone
MKE 2 Gold	Omni-directional lavalier microphone Models produced from 2018 onward, featuring a blue serial number plate
MKE 1	Omni-directional lavalier microphone
ME 3	Cardioid headset microphone Models produced from 2021 onward, featuring a gold-plated connector*
HSP Essential Omni	Omni-directional headset microphone
HSP 2	Omni-directional headset microphone Models produced from March 2020 onward (featuring code 1090 or later)
HS 2	Omni-directional headset microphone Models produced from 2021 onward, featuring a gold-plated connector*
SL Headmic 1	Omni-directional headset microphone

* Models produced prior to 2021 will feature a nickel connector. Earlier models may pick up noise when placed close to the transmitter and are not recommended for use

MICROPHONE COMPATIBILITY

Lavalier and headset microphones compatible with the EW-DX SK 3-PIN bodypack transmitter

MKE 1-4	Lavalier microphone with omni-directional pattern, article no. 502167
MKE 2-4	Lavalier microphone with omni-directional pattern, article no. 004736
MKE 40-4	Lavalier microphone with cardioid pattern, article no. 003579
MKE Essential Omni Black-3-Pin	Lavalier microphone with omni-directional pattern, article no. 508251
MKE Essential Omni Beige-3-Pin	Lavalier microphone with omni-directional pattern, article no. 508252
HSP 2	Cardioid headset microphone Models produced from 2021 onward, featuring a gold-plated connector*
HSP 4	Omni-directional headset microphone
SL Headmic 1-4	Omni-directional headset microphone Models produced from March 2020 onward (featuring code 1090 or later)
HSP Essential Omni Black-3-Pin	Omni-directional headset microphone Models produced from 2021 onward, featuring a gold-plated connector*
HSP Essential Omni Beige-3-Pin	Omni-directional headset microphone

* Models produced prior to 2021 will feature a nickel connector. Earlier models may pick up noise when placed close to the transmitter and are not recommended for use

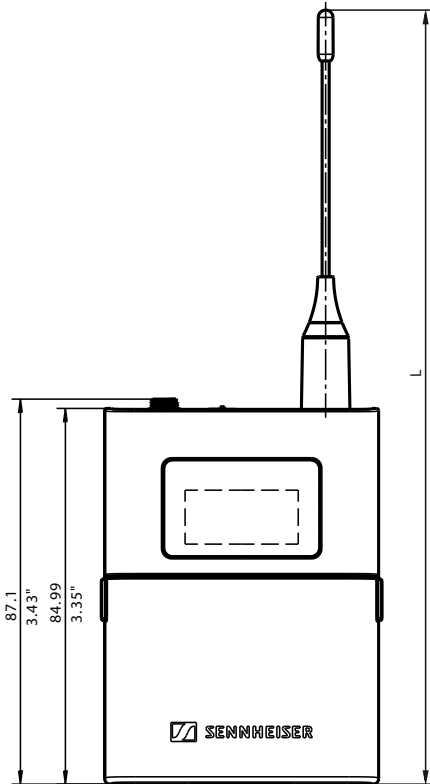
ACCESSORIES

BA 70	Rechargeable battery pack for SK and SKM	Art. no. 508860
L 70 USB	Charger for BA 70 rechargeable battery pack	Art. no. 508861
EW-D CHARGING SET	Set of L 70 USB charger and 2 BA 70 rechargeable battery packs	Art. no. 508862
CHG 70N	Network-enabled charger for SK, SKM and BA 70	Art. no. 509455
CHG 70N + PSU KIT	CHG 70N charger with NT 12-35 CS power supply unit	Art. no. 509456

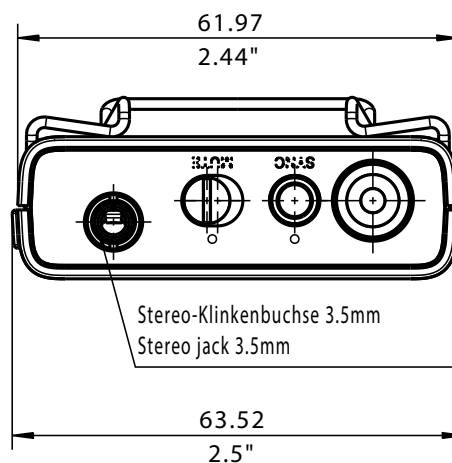
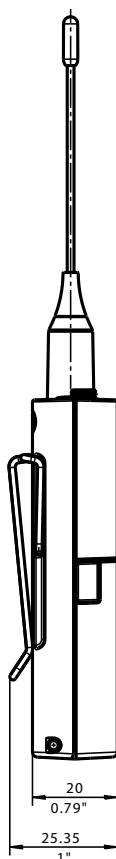


Evolution Wireless Digital EW-DX SK | EW-DX SK 3-PIN Bodypack Transmitter

DIMENSIONS



590761	1785-1800 MHZ	203.8 / 8.02"
590758	941-960 MHZ	157.8 / 6.21"
590757	925-938 MHZ	157.8 / 6.21"
590756	823-832 MHZ & 863-865 MHZ	166.2 / 6.54"
590755	630-694 MHZ	195.8 / 7.71"
590754	614-694 MHZ	195.8 / 7.71"
590753	606-638 MHZ & 650-694 MHZ	195.8 / 7.71"
590752	606-694 MHZ	195.8 / 7.71"
590751	520-608 MHZ	217.8 / 8.57"
590750	470-550 MHZ	231.8 / 9.13"
Teile-Nr. Part no.	Frequenzbereich Frequency range	L





Evolution Wireless Digital

EW-DX SK | EW-DX SK 3-PIN

Bodypack Transmitter

EW-DX SK bodypack transmitter

The bodypack transmitter shall be for use with a companion receiver as part of a digital wireless RF transmission system.

The bodypack transmitter shall operate within the following UHF frequency ranges, with a switching bandwidth of up to 88 MHz: 470.2 – 550 MHz, 520 – 607.8 MHz, 606.2 – 693.8 MHz, 614.2 – 693.8 MHz, 630 – 693.8 MHz, 823.2 – 831.8 MHz, 863.2 – 846.8 MHz, 925.2 – 937.3 MHz, 941.7 – 951.8 MHz, 953.05 – 956.05 MHz, 956.65 – 959.65 MHz, 1785.2 – 1799.8 MHz. Different frequency variants shall be available depending on country-specific regulations.

The audio frequency response shall be between 20 Hz and 20 kHz (-3 dB). Audio total harmonic distortion (THD) shall be ≤ -60 dB for 1 kHz @ -3 dBfs input level. Dynamic range shall be 134 dB. System latency shall be 1.9 ms.

Occupied bandwidth shall be 200 kHz. Transmit power (radiated) shall be 10 mW ERP (1785.2 – 1799.8 MHz Range: 12 mW ERP).

A programmable mute switch shall be provided for muting or unmuting either the audio signal or the radio signal. The mute switch can also be deactivated.

The bodypack transmitter shall be menu-driven with a backlit elnk display showing the relevant status information such as frequency, battery status or AES 256 encryption status.

All transmitter parameters shall be adjustable with function buttons on the device itself or by Bluetooth Low Energy (BLE) synchronization via the associated receiver. The function buttons shall be lockable against accidental misuse.

Power shall be supplied to the bodypack transmitter by two 1.5 V AA size batteries or by one Sennheiser BA 70 rechargeable battery pack. Operating time shall be typically 12 hours with a battery pack and up to 8 hours with AA batteries.

The bodypack transmitter shall feature charging contacts for direct charging of the transmitter with inserted BA 70 battery pack in a Sennheiser CHG 70N network-enabled charger.

The bodypack transmitter's microphone/line input shall utilize a lockable 3.5 mm Jack socket.

The bodypack transmitter shall be compatible with microphones for every application: Sennheiser lavalier microphones ME 2, ME 4, MKE 1, MKE 2 Gold and MKE Essential Omni, Sennheiser headset microphones HS 2, HSP 2, HSP Essential Omni, ME 3 and SL Headmic 1.

The bodypack transmitter shall have a rugged metal housing; dimensions shall be approximately 63.5 x 85 x 20 mm (2.5" x 3.35" x 0.79"). Weight without batteries shall be approximately 115 - 120 grams depending on antenna length. Operating temperature shall range from -10 °C to $+50$ °C ($+14$ °F to $+122$ °F).

The handheld transmitter shall be the Sennheiser EW-DX SK.

EW-DX SK 3-PIN bodypack transmitter

The bodypack transmitter shall be for use with a companion receiver as part of a digital wireless RF transmission system.

The bodypack transmitter shall operate within the following UHF frequency ranges, with a switching bandwidth of up to 88 MHz: 470.2 – 550 MHz, 520 – 607.8 MHz, 606.2 – 693.8 MHz, 614.2 – 693.8 MHz, 630 – 693.8 MHz, 823.2 – 831.8 MHz, 863.2 – 846.8 MHz, 925.2 – 937.3 MHz, 941.7 – 951.8 MHz, 953.05 – 956.05 MHz, 956.65 – 959.65 MHz, 1785.2 – 1799.8 MHz. Different frequency variants shall be available depending on country-specific regulations.

The audio frequency response shall be between 20 Hz and 20 kHz (-3 dB). Audio total harmonic distortion (THD) shall be ≤ -60 dB for 1 kHz @ -3 dBfs input level. Dynamic range shall be 134 dB. System latency shall be 1.9 ms.

Occupied bandwidth shall be 200 kHz. Transmit power (radiated) shall be 10 mW ERP (1785.2 – 1799.8 MHz Range: 12 mW ERP).

A programmable mute switch shall be provided for muting or unmuting either the audio signal or the radio signal. The mute switch can also be deactivated.

The bodypack transmitter shall be menu-driven with a backlit elnk display showing the relevant status information such as frequency, battery status or AES 256 encryption status.

All transmitter parameters shall be adjustable with function buttons on the device itself or by Bluetooth Low Energy (BLE) synchronization via the associated receiver. The function buttons shall be lockable against accidental misuse.

Power shall be supplied to the bodypack transmitter by two 1.5 V AA size batteries or by one Sennheiser BA 70 rechargeable battery pack. Operating time shall be typically 12 hours with a battery pack and up to 8 hours with AA batteries.

The bodypack transmitter shall feature charging contacts for direct charging of the transmitter with inserted BA 70 battery pack in a Sennheiser CHG 70N network-enabled charger.

The bodypack transmitter's microphone/line input shall utilize a lockable 3-pin audio socket.

The bodypack transmitter shall be compatible with microphones for every application: Sennheiser lavalier microphones MKE 1-4, MKE 2-4, MKE 40-4 and MKE Essential Omni 3-Pin, Sennheiser headset microphones HSP 2, HSP 4, HSP Essential Omni 3-Pin and SL Headmic 1-4.

The bodypack transmitter shall have a rugged metal housing; dimensions shall be approximately 63.5 x 85 x 20 mm (2.5" x 3.35" x 0.79"). Weight without batteries shall be approximately 115 - 120 grams depending on antenna length. Operating temperature shall range from -10 °C to $+50$ °C ($+14$ °F to $+122$ °F).

The handheld transmitter shall be the Sennheiser EW-DX SK 3-PIN.