



XS Wireless In-Ear Monitoring System



The XS Wireless IEM set includes everything you need for an easy start with personal monitoring. Defining new standards for simple, flexible, and reliable wireless connection in the professional UHF range, this system is designed to help you level up your sound, regardless of your tech experience.

Whether a rehearsal or live performance, on a club stage or for a worship service: Benefit from renowned Sennheiser sound and solid pro-grade wireless UHF reliability packed in a convenient and rugged system – letting you focus on playing your best.

FEATURES

- Complete starter set for in-ear monitoring
- Reliable, easy-to-manage wireless connection in the professional UHF range
- Full control with flexible audio modes
- Focus mode to balance your personal mix
- Advanced features like EQ and limiter
- Easy frequency presets or detailed manual control
- Infrared sensor to sync multiple receivers easily to one transmitter

DELIVERY INCLUDES

- XSW IEM EK Stereo Receiver
- XSW IEM SR Stereo Transmitter
- XSW BNC Antenna
- IE 4 In-ear headphones
- 2 AA batteries
- XSW Rack Mount Kit
- NT 12-5CW Power Supply + Country Adapter
- Quick Guide, Safety Guide, Compliance Sheet, Frequency Table

PRODUCT VARIANTS

| | | |
|------------------------|-----------------|-----------------|
| XSW IEM SET (A) | 476-500 MHz | Art. no. 509146 |
| XSW IEM SET (B) | 572-596 MHz | Art. no. 509147 |
| XSW IEM SET (C) | 662-686 MHz | Art. no. 509148 |
| XSW IEM SET (E) | 823.2-831.8 MHz | Art. no. 509149 |
| XSW IEM SET (K) | 925.2-937.3 MHz | Art. no. 509150 |

ACCESSORIES

| | |
|---------------------------------|-----------------|
| XSW Rack Mount Kit | Art. no. 507351 |
| XSW Front Antenna Cables | Art. no. 507468 |
| XSW IEM EK Belt Clip | Art. no. 592582 |
| XSW IEM EK Battery Cover | Art. no. 592583 |
| XSW BNC Antenna | Art. no. 522419 |



XS Wireless

In-Ear Monitoring System

SPECIFICATIONS

XSW IEM SR - Stereo Transmitter

| RF characteristics | |
|--|--|
| Modulation | FM stereo |
| Frequency ranges (max. RF output power) | A: 476 - 500 MHz (30 mW) B: 572 - 596 MHz (30 mW) C: 662 - 686 MHz (30 mW) E: 823.2 - 831.8 MHz (30 mW) K: 925.2 - 937.3 MHz (10 mW) |
| Switching bandwidth | up to 24 MHz |
| Nominal/peak deviation | ±15 kHz / ±24 kHz |
| Antenna output | BNC socket, 50 Ω |

| AF characteristics | |
|--|---|
| AF frequency response | 45 Hz to 15 kHz |
| AF input BAL AF IN L (I) + MONO/ BAL AF IN R (II) | 2x XLR-3/¼" (6.3 mm) jack combo socket, electronically balanced |
| Total harmonic distortion (THD) | <0.9 % |
| Signal-to-noise ratio (at nominal load and peak deviation) | ≥88 dB |

| Overall device | |
|---------------------|--|
| Temperature range | 0 °C to +40 °C |
| Input rating | +12 V DC |
| Current consumption | Approx. 400mA (depending on volume level) |
| Dimensions | Approx. 200 x 128 x 42 mm |
| Weight | Approx. 700 g |

OVERVIEW





XS Wireless In-Ear Monitoring System

SPECIFICATIONS

XSW IEM EK - Stereo Receiver

| RF characteristics | |
|------------------------|--|
| Modulation | Wideband FM |
| Frequency ranges | A: 476 - 500 MHz B: 572 - 596 MHz C: 662 - 686 MHz E: 823.2 - 831.8 MHz K: 925.2 - 937.3 MHz |
| Switching bandwidth | up to 24 MHz |
| Nominal/peak deviation | ± 15 kHz / ± 24 kHz |
| Squelch | 10 μ V, fixed |

| AF characteristics | |
|---|--|
| Signal-to-noise ratio (1 mV, peak deviation) | ≥ 88 dB |
| Total harmonic distortion (THD) | ≤ 1 % |
| AF output level at 3.5 mm | 2 x 1,25 V _{eff} at 16 Ω |
| High Boost (EQ) | +10 dB at 13 kHz |
| Limiter | -10 dB |
| AF frequency response | 45 Hz to 15 kHz |
| Cross talk (50 Hz - 10 kHz) | typically 45 dB |

| Overall device | |
|--------------------------|--|
| Temperature range | 0 °C to +40 °C |
| Power supply | 2 AA batteries, 1.5 V |
| Nominal voltage | 3 V battery |
| Operating time | Approx. 6 hrs (depending on volume level) |
| Dimensions | Approx. 95 x 70 x 26 mm |
| Weight (incl. batteries) | Approx. 110 g |

IE 4 - In-ear headphones

| | |
|--------------------|---|
| Transducer | dynamic |
| Frequency response | 40-20.000 Hz |
| SPL (1 kHz, 1 mW) | 106 dB |
| Nominal impedance | 6 Ω |
| Cable length | 1.4 m |
| Connector | 3.5 mm (1/8") stereo plug, gold-plated |
| Temperature | -5 °C (23 °F) to +50 °C (122 °F) |

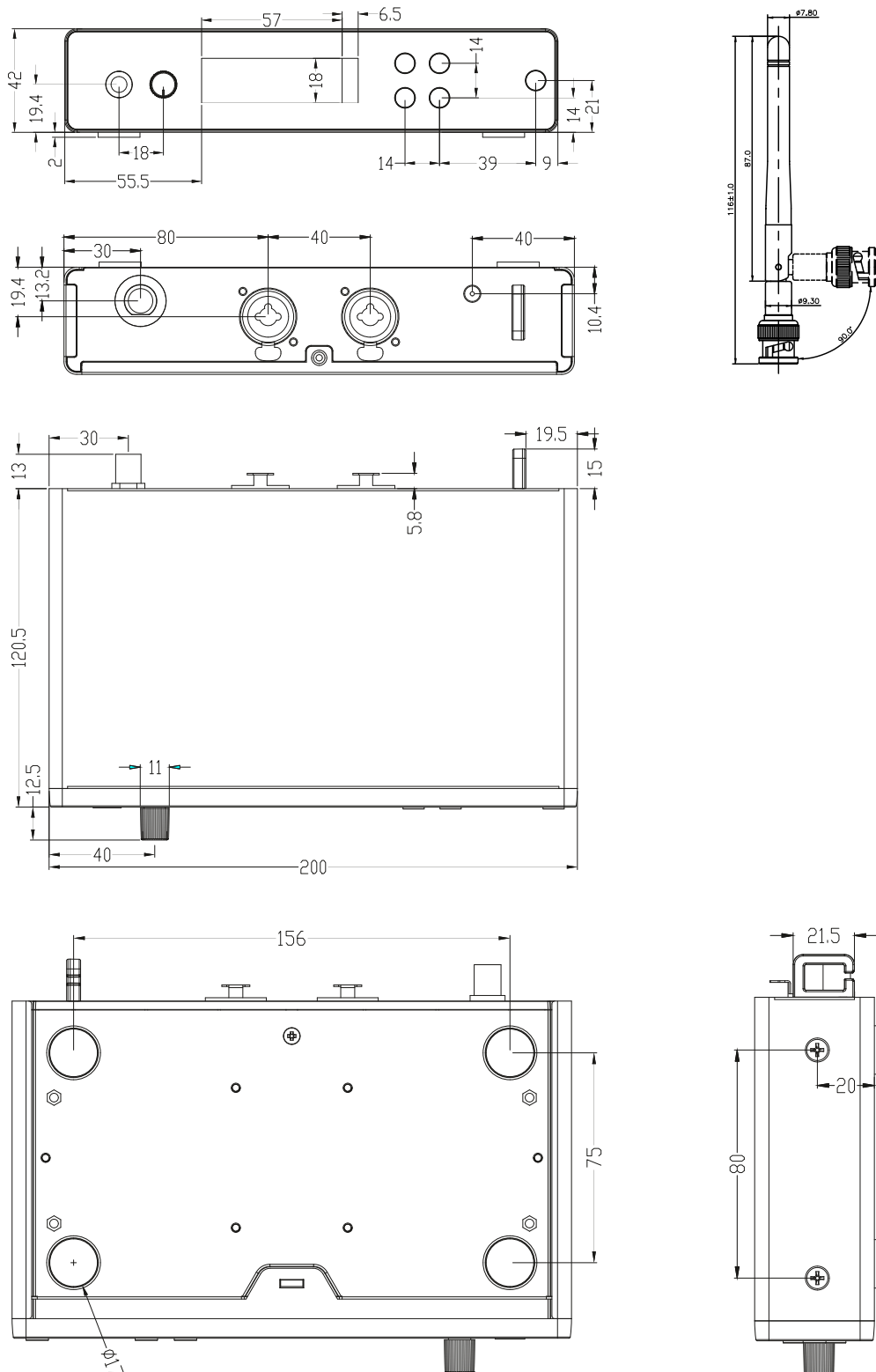




XS Wireless In-Ear Monitoring System

DIMENSIONS

XSW IEM SR - Stereo Transmitter

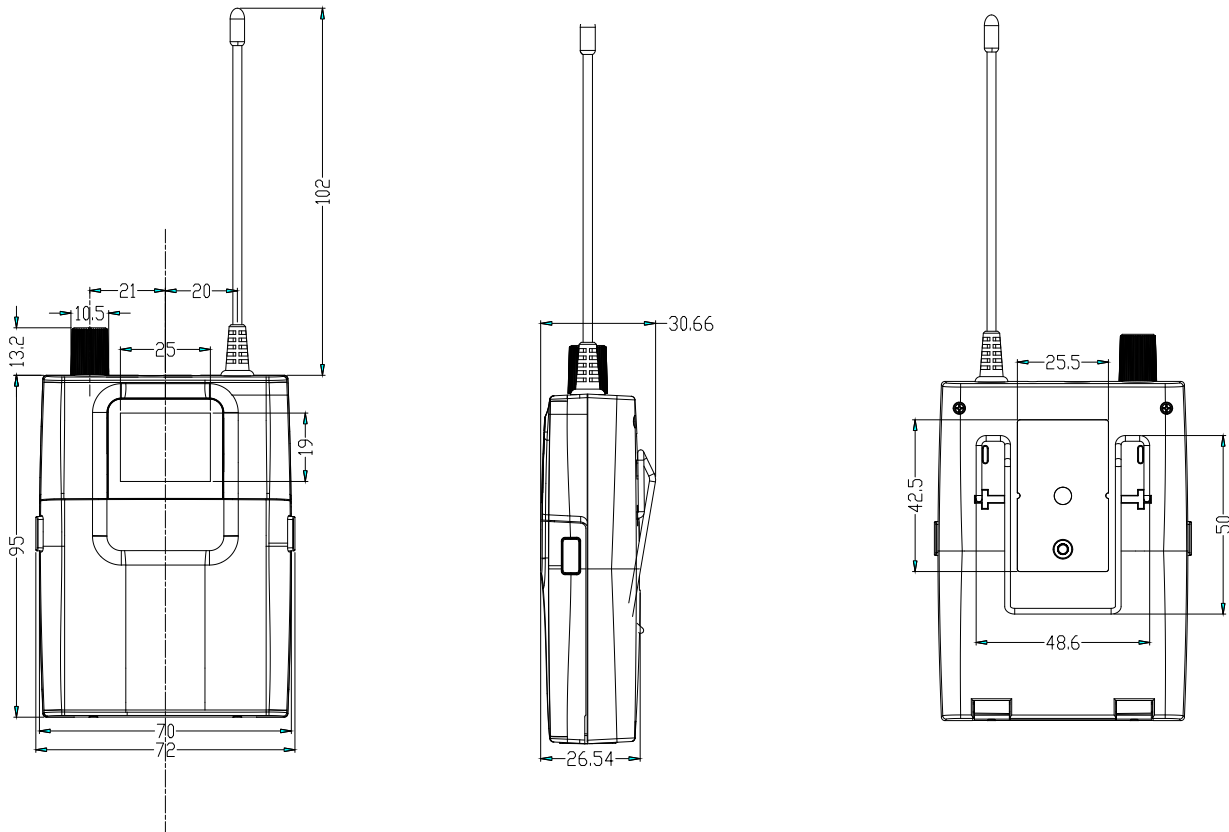




XS Wireless In-Ear Monitoring System

DIMENSIONS

XSW IEM EK - Stereo Receiver





XS Wireless In-Ear Monitoring System

DIMENSIONS

IE 4 - In-ear headphones

