

# SHURE®

LEGENDARY  
PERFORMANCE™

Microflex® Wireless Systems

# MICROFLEX® WIRELESS SYSTEMS



Microflex® Wireless microphone systems bring modern design and vivid, lifelike sound to signature boardrooms and AV conferencing environments. This enterprise-scale platform encompasses a system of advanced conferencing products that includes intelligent rechargeable microphone transmitters and charging stations, discreet wireless access point transceivers, flexible audio network interfaces, and comprehensive software tools for remote adjustment and monitoring of system settings.

## **Premium Conferencing Audio for Elite Boardrooms**

Vivid Lifelike Sound, Versatile Microphone Selection, Discreet Designs, Scalable Solutions

## **Networked Digital Wireless for Enterprise-Scale Environments**

Dante™ Digital Audio Networking, Ethernet Connectivity, Control System Compatible, Microflex Wireless Control Software

## **Intelligent Performance, Simplified Setup & Operation**

Advanced Rechargeable Power Management, Automated Frequency Coordination, Encrypted Wireless, Assignable RF output power

## **Trusted Shure Experience**

Wireless Expertise, Signature Audio, Reliable Product Support

### APPLICATIONS

Boardrooms

Corporate Theaters

AV Conferencing Spaces

Training/Seminar Centers

### PRODUCT HIGHLIGHTS

Vivid, lifelike sound

Stylish, versatile wireless microphone options

Digital audio networking over Ethernet

Microflex Wireless Control Software

AES256 encryption



CommShield®  
Technology

# System Specifications

## Features

- Vivid, lifelike sound: Performance-tested Microflex® microphone elements flawlessly capture full range audio for clear, detailed communication
- Versatile microphone selection: Wireless boundary, gooseneck, bodypack, and handheld models are available to fit any conferencing application
- Discreet designs: With elegant aesthetics and a low-profile footprint, Microflex Wireless systems are designed to install easily and disappear into AV environments
- Scalable solutions: 2, 4 and 8 channel systems can be combined support configurations of up to 40 compatible channels (80 in Europe and select countries). Adjustable power limits enable additional channels to operate in separate rooms
- Dante™ digital audio networking: Integrated solution for transporting low latency, uncompressed audio over standard Ethernet networks
- Ethernet connectivity: All Microflex Wireless networking components connect via Cat5e cable for simplified installation
- Corporate network ready: Connect to corporate networks and third party control systems using standard networking protocols, for remote management and campus-wide implementation
- Microflex Wireless Control Software: Browser-based control software that offers comprehensive remote monitoring and control of all settings and status parameters over the web, a corporate network or an AV local area network
- Control system compatible: Third party control and automation systems (AMX®, Crestron®) are fully compatible with Microflex Wireless, enabling the creation of custom interfaces on touchscreen panels
- Advanced rechargeable power management: Smart lithium-ion rechargeable batteries deliver up to 9 hours of continuous use, enable remote status monitoring while in the charger and provide remaining runtime in hours and minutes while in use via networked control systems
- Automated frequency coordination: Microflex Wireless systems actively scan the available spectrum and coordinate clean, compatible frequencies for every microphone channel. While in use, systems automatically move away from unexpected interference
- Encrypted wireless: Audio transmission is protected by AES-256 encryption - the same secure standard used in top government applications
- Selectable transmit power: Select the appropriate wireless output power per room to optimize spectrum usage, range, and battery life

## Specifications (subject to change)

<b>RF Carrier Frequency Range</b>	USA, Canada, Mexico: 1920–1930 MHz Europe, Asia, Middle East: 1880–1900 MHz
<b>Working Range</b>	50 m (160 ft) Note: Actual range depends on RF power setting and signal absorption, reflection and interference.
<b>Audio Frequency Response</b>	50 Hz – 20 kHz (+1, -3 dB) Note: Dependent on microphone type
<b>Dynamic Range</b>	>99 dB, A-weighted
<b>System Gain</b> <small>(Mic gain @ 0dB to line level output on MXWANI through Dante)</small>	+50 dB
<b>Latency</b>	18 ms, nominal
<b>System Audio Polarity</b>	Positive pressure on microphone diaphragm (or positive voltage on pin 3 of TA4M connector) produces a positive voltage on pin 2 of the ANI (with respect to pin 3 of the low-impedance output).
<b>Radio Transmission</b>	Time Division Multiple Access (TDMA), Gaussian Frequency Shift Keying (GFSK), 365 kHz max. deviation
<b>RF Sensitivity</b>	-87 dBm, minimum
<b>Power</b>	19 dBm (80 mW) maximum, See Frequency Range and Output Power table
<b>Cable Requirements</b>	Cat 5e or higher, shielded, 100 m maximum between network devices
<b>Network Addressing Capability</b>	DHCP, link-local, static
<b>Operating Temperature Range</b>	0°C (32°F) to 49°C (120°F)
<b>Storage Temperature Range</b>	-29°C (-20°F) to 74°C (165°F)

### Frequency Range and Microphone Transmitter Output Power

Band	Frequency Range (MHz)	Region	Power (mW)
Z10	1920 to 1930	USA, Canada, Mexico	Low = 0.63 Medium = 3.16 High = 15.85 Maximum = 79.43
Z11	1880 to 1900	Europe, Asia, Middle East	Low = 0.63 Medium = 3.16 High = 15.85 Maximum = 79.43

**SHURE**<sup>®</sup>  
LEGENDARY  
PERFORMANCE™

# MXW1 Bodypack Transmitter

## Overview

The MXW1 is a hybrid bodypack transmitter compatible with Microflex® Wireless systems. It offers both an integrated omnidirectional microphone and an input jack for connecting an ear-worn or lavalier style microphone. The integrated microphone is perfect for picking up speech while the bodypack is on a lanyard or tucked into a shirt pocket, and a belt clip is included for attachment to clothing.

## Features

- Compact, low-profile design: Fits comfortably into a shirt pocket or attached to clothing
- Integrated omnidirectional mic: Clearly captures full range audio without connecting an external microphone
- External microphone input: For connecting multiple styles of ear-worn or lavalier condenser microphones
- Bi-directional wireless: Enables return channel audio and real time remote control of all wireless microphone settings
- Earphone output: Listen to audio from a return channel for translation, cueing, or program material
- Programmable mute button: Customize local or remote muting behavior per application, with options including push-to-talk, push-to-mute, and external control.
- Standby mode: Enabled remotely during breaks or periods of inactivity to significantly extend battery life when not in use
- Wide working range: Reliable wireless coverage extends up to 160 feet (50 meters)
- Out of range alert: Emits beeping sound when range limit is exceeded
- Wide frequency response: Captures full range audio for clear voice transmission
- Easy transmitter linking: Assign the microphone to an Access Point channel by simply docking it into a Networked Charging Station and pressing “link”
- Encrypted wireless: AES 256-bit encryption for secure transmission.
- Advanced Li-ion batteries: Smart lithium-ion internal batteries provide up to 9 hours of continuous use, charge to full in 2 hours, and enable remote monitoring over the network of remaining runtime and charge status in hours and minutes
- USB charging: Connects to any standard USB power source for “always on” usage



**MXW1**  
Bodypack Transmitter

## Specifications (subject to change)

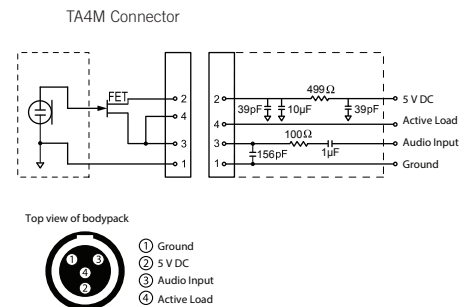
<b>Gain Adjustment Range</b>	-25 to +15 dB (in 1 dB steps)
<b>Maximum Input Level</b> (Mic gain @ -16 dB)	-9 dBV
<b>Headphone Output</b>	3.5 mm (1/8"), dual mono (will drive stereo phones)
<b>Maximum Headphone Output Power</b> <small>(1kHz @ 1% distortion, peak power, @16Ω)</small>	17.5 mW
<b>Antenna Type</b>	Internal, Spacial Diversity, Linear Polarization
<b>Battery Type</b>	Rechargeable Li-Ion
<b>Battery Life</b>	Up to 9 hours Calculated with a new battery. Runtimes vary depending on battery health.
<b>Charge Connector</b>	USB 3.0 Type A
<b>Housing</b>	Molded Plastic
<b>Recommended Storage Temperature Range</b>	0 °C (32 °F) to 25 °C (77 °F)
<b>Microphone Connector</b>	4-Pin male mini connector (TA4M), See drawing for details
<b>Input Impedance</b> (@ 1 kHz)	>20 kΩ
<b>Internal Microphone</b>	Omnidirectional (20 Hz – 20 kHz)
<b>Dimensions</b>	22 mm × 45 mm × 99 mm (0.9 in. × 1.8 in. × 3.9 in.) H × W × D
<b>Weight</b>	85 g (3.0 oz.) with batteries, without microphone

## Available Models

<b>MXW1/O</b>	MXW bodypack transmitter (without lavalier microphone)
---------------	--

## Optional Accessories

<b>SBC-USB</b>	USB Plug-in Charger
<b>SB901A</b>	Replacement Battery for MXW1, MXW6, and MXW8 Transmitters
<b>See table on right</b>	Lavalier microphone



## Lavalier Options

<b>MX150B/O-TQG</b>	Microflex 5mm Subminiature Lavalier, Omnidirectional, Black
<b>MX150B/C-TQG</b>	Microflex 5mm Subminiature Lavalier, Cardioid, Black
<b>MX153B/O-TQG</b>	Microflex Omnidirectional Subminiature Earset, Black
<b>MX153T/O-TQG</b>	Microflex Omnidirectional Subminiature Earset, Tan
<b>MX153C/O-TQG</b>	Microflex Omnidirectional Subminiature Earset, Cocoa
<b>WL183</b>	Microflex 1cm Omnidirectional Lavalier, Black
<b>WL184</b>	Microflex 1cm Supercardioid Lavalier, Black
<b>WL185</b>	Microflex 1cm Cardioid Lavalier, Black
<b>WL93</b>	Omnidirectional Condenser Miniature Lavalier, Black
<b>WCB6B</b>	Countryman, 3mm Subminiature Omnidirectional Lavalier, Black
<b>WCE6B</b>	Countryman, Omnidirectional Rigid Earset Microphone, Black
<b>WCE6T</b>	Countryman, Omnidirectional Rigid Earset Microphone, Tan

# MXW2 Handheld Transmitter

## Overview

The MXW2 is a handheld transmitter compatible with Microflex® Wireless Systems. With lightweight but durable construction and integrated diversity antennas, the MXW2 delivers vivid lifelike sound, intelligent wireless performance, encrypted transmission, and advanced rechargeability for presentation and conferencing applications. Available with trusted Shure microphone cartridges, including the legendary SM58®.

## Features

- Interchangeable microphone cartridges: Available with the SM58®, SM86, Beta® 58A and VP68 signature Shure microphones
- Dual transmit antennas: Maximizes transmission strength depending on hand placement
- Bi-directional wireless: Enables real time remote control of all wireless microphone settings
- Programmable mute button: Customize local or remote muting behavior per application, with options including push-to-talk, push-to-mute, and external control.
- Standby mode: Enabled remotely during breaks or periods of inactivity to significantly extend battery life when not in use.
- Wide working range: Reliable wireless coverage extends up to 160 feet (50 meters)
- Range warning alert: Emits beeping sound when range limit is exceeded
- Easy transmitter linking: Assign the microphone to an Access Point channel by simply docking it into a Networked Charging Station and pressing “link”
- Encrypted wireless: AES 256-bit encryption for secure transmission.
- Advanced Li-ion batteries: Smart lithium-ion internal batteries provide up to 15 hours of continuous use, charge to full in 3 hours, and enable remote monitoring over the network of remaining runtime and charge status in hours and minutes
- USB charging: Connects to any standard USB power source for “always on” usage.



**MXW2**  
Handheld Transmitter

## Specifications (subject to change)

<b>Gain Adjustment Range</b>	-25 to +15 dB (in 1 dB steps)
<b>Maximum Input Level</b> <small>(Mic gain @ -16 dB)</small>	-9 dBV
<b>Antenna Type</b>	Internal, Spacial Diversity, Linear Polarization
<b>Battery Type</b>	Rechargeable Li-Ion
<b>Battery Life</b>	Up to 15 hours Calculated with a new battery. Runtimes vary depending on battery health
<b>Charge Connector</b>	USB 3.0 Type A
<b>Housing</b>	Molded Plastic
<b>Recommended Storage Temperature Range</b>	0 °C (32 °F) to 25 °C (77 °F)
<b>Microphone Capsule</b>	SM58®, SM86, Beta® 58A, VP68
<b>Configuration</b>	Unbalanced
<b>Input Impedance</b> <small>(@ 1 kHz)</small>	>20 kΩ
<b>Dimensions</b>	226 mm x 51 mm (8.9 in. x 2.0 in.) L x Dia. including SM58 microphone capsule
<b>Weight</b>	323 g (11.4 oz.) with batteries, including SM58 microphone capsule

## Available Models

<b>MXW2/SM58</b>	Wireless Handheld Transmitter with SM58® Microphone
<b>MXW2/SM86</b>	Wireless Handheld Transmitter with SM86 Microphone
<b>MXW2/BETA58</b>	Wireless Handheld Transmitter with Beta® 58A Microphone
<b>MXW2/VP68</b>	Wireless Handheld Transmitter with VP68 Microphone

## Optional Accessories

<b>RPW112</b>	Cartridge, Housing Assembly and Matte Grille for Wireless SM58®
<b>RPW114</b>	Cartridge, Housing Assembly and Matte Grille for Wireless SM86
<b>RPW118</b>	Cartridge, Housing Assembly and Matte Grille for Wireless Beta® 58A
<b>RPW124/VP68</b>	Cartridge, Housing Assembly and Matte Grille for Wireless VP68
<b>SBC-USB</b>	USB Plug-in Charger
<b>SB902</b>	Replacement Battery for MXW2 Transmitter

**SHURE**<sup>®</sup>  
LEGENDARY  
PERFORMANCE™

# MXW6 Boundary Transmitter

## Overview

The Shure MXW6 is a boundary microphone transmitter compatible with Microflex® Wireless Systems. With a low-profile design and cardioid or omnidirectional polar pattern options, the MXW6 allows flexible placement with excellent audio capture on any surface in front of one or multiple speakers. All Microflex Wireless transmitters deliver pristine audio quality, intelligent wireless performance, encrypted transmission, and advanced rechargeability for conferencing and presentation applications.

## Features

- Coverage options: Available in cardioid or omnidirectional polar patterns
- Wide frequency response: Full range audio for clear voice transmission
- Microflex capsules: Well known and trusted Microflex sound signature
- Bi-directional wireless: Enables return channel audio and real time remote control of all wireless microphone settings
- Earphone output: Listen to audio from a return channel for translation, cueing, or program material
- Concealed power switch: Prevents accidental powering off
- Programmable mute button: Customize local or remote muting behavior per application, with options including push-to-talk, push-to-mute, and external control
- Encrypted wireless: AES 256-bit encryption for secure transmission
- Wide working range: Reliable wireless coverage extends up to 160 feet (50 meters)
- Out of range alert: Emits beeping sound when range limit is exceeded
- Easy wireless linking: Assign the microphone to an Access Point channel by simply docking it in a Networked Charging Station and pressing “link”
- Advanced Li-ion batteries: Smart lithium-ion internal batteries provide up to 9 hours of continuous use, charge to full in 2 hours, and enable remote monitoring over the network of remaining runtime and charge status in hours and minutes
- Standby mode: Enabled remotely during periods of inactivity to significantly extend battery life when not in use
- Low-battery LED: Visually alerts when there is 30 minutes of charge remaining
- USB charging: Connects to any standard USB power source for “always on” usage



**MXW6**  
Boundary Transmitter

## Specifications (subject to change)

<b>Gain Adjustment Range</b>	-25 to +15 dB (in 1 dB steps)
<b>Maximum Input Level</b> <small>(Mic gain @ -16 dB)</small>	-9 dBV
<b>Headphone Output</b>	3.5 mm (1/8"), dual mono (will drive stereo phones)
<b>Maximum Headphone Output Power</b> <small>(1kHz @ 1% distortion, peak power, @16Ω)</small>	17.5 mW
<b>Antenna Type</b>	Internal, Spacial Diversity, Linear Polarization
<b>Battery Type</b>	Rechargeable Li-Ion
<b>Battery Life</b>	Up to 9 hours Calculated with a new battery. Runtimes vary depending on battery health
<b>Charge Connector</b>	USB 3.0 Type A
<b>Housing</b>	Molded Plastic
<b>Recommended Storage Temperature Range</b>	0 °C (32 °F) to 25 °C (77 °F)
<b>Microphone Capsule</b>	MXW6/O: R183B MXW6/C: R185B
<b>Dimensions</b>	23 mm × 44 mm × 114 mm (0.9 in. × 1.75 in. × 4.5 in.) H × W × D
<b>Weight</b>	108 g (3.8 oz.) with batteries

## Available Models

<b>MXW6/O</b>	Wireless Boundary Transmitter, Omnidirectional
<b>MXW6/C</b>	Wireless Boundary Transmitter, Cardioid

## Optional Accessories

<b>SBC-USB</b>	USB Plug-in Charger
<b>SB901A</b>	Replacement Battery for MXW1, MXW6, and MXW8 Transmitters

**SHURE**<sup>®</sup>  
LEGENDARY  
PERFORMANCE™

# MXW8 Gooseneck Base Transmitter

## Overview

The MXW8 is a gooseneck base transmitter compatible with Microflex® Wireless Systems. With a stylish, contoured design and minimal footprint it complements any conference setting. The MXW8 accepts Microflex gooseneck microphones available in multiple lengths with polar pattern and LED options. All Microflex Wireless transmitters deliver pristine audio quality, intelligent wireless performance, encrypted transmission, and advanced rechargeability for conferencing and presentation applications.

## Features

- Gooseneck options: Compatible with a wide variety of length, LED light ring, and polar pattern variations of Microflex Gooseneck Microphones
- Wide frequency response: Full range audio for clear voice transmission
- Concealed power switch: Prevents accidental powering off
- Bi-directional wireless: Enables return channel audio and real time remote control of all wireless microphone settings including light ring indication
- Earphone output: Listen to audio from a return channel for translation, cueing, or program material
- Programmable mute button: Customize local or remote muting behavior per application, with options including push-to-talk, push-to-mute, and external control
- Encrypted wireless: AES 256-bit encryption for secure wireless transmission
- Wide working range: Reliable wireless coverage extends up to 160 feet (50 meters)
- Out of range alert: Emits beeping sound when range limit is exceeded
- Easy wireless linking: Assign the microphone to an Access Point channel by simply docking it in a Networked Charging Station and pressing “link”
- Advanced Li-ion batteries: Smart lithium-ion internal batteries provide up to 9 hours of continuous use, charge to full in 2 hours, and enable remote monitoring over the network of remaining runtime and charge status in hours and minutes
- Standby mode: Enabled remotely during periods of inactivity to significantly extend battery life when not in use
- Low-battery LED: Visually alerts when there is 30 minutes of charge remaining
- USB charging: Connects to any standard USB power source for “always on” usage



**MXW8**  
Gooseneck Base Transmitter

## Specifications (subject to change)

<b>Gain Adjustment Range</b>	-25 to +15 dB (in 1 dB steps)
<b>Maximum Input Level</b> <small>(Mic gain @ -16 dB)</small>	-9 dBV
<b>Headphone Output</b>	3.5 mm (1/8"), dual mono (will drive stereo phones)
<b>Maximum Headphone Output Power</b> <small>(1kHz @ 1% distortion, peak power, @16Ω)</small>	17.5 mW
<b>Antenna Type</b>	Internal, Spacial Diversity, Linear Polarization
<b>Battery Type</b>	Rechargeable Li-Ion
<b>Battery Life</b>	Up to 9 hours Calculated with a new battery. Runtimes vary depending on battery health
<b>Charge Connector</b>	USB 3.0 Type A
<b>Housing</b>	Molded Plastic
<b>Recommended Storage Temperature Range</b>	0 °C (32 °F) to 25 °C (77 °F)
<b>Microphone Connector</b>	6-pin connector for Shure MX405/10/15
<b>Configuration</b>	Unbalanced
<b>Input Impedance</b> <small>(@ 1 kHz)</small>	>20 kΩ
<b>Gooseneck Options</b>	See accessories list
<b>Dimensions</b>	36 mm x 71 mm x 124 mm (1.4 in. x 2.8 in. x 4.9 in.) H x W x D
<b>Weight</b>	193 g (6.8 oz.) with batteries, without microphone

## Available Models

<b>MXW8</b>	MXW gooseneck base transmitter (without gooseneck microphone)
-------------	---

## Optional Accessories

<b>SBC-USB</b>	USB Plug-in Charger
<b>SB901A</b>	Replacement Battery for MXW1, MXW6, and MXW8 Transmitters
<b>See table on right</b>	Gooseneck microphone

## Gooseneck Microphone Options

<b>MX405LP/C</b>	Cardioid, 5" (12.7 cm), bi-color status indicator, less preamp
<b>MX405LP/S</b>	Supercardioid, 5" (12.7 cm), bi-color status indicator, less preamp
<b>MX405RLP/N</b>	No microphone cartridge, 5" (12.7 cm), light ring, less preamp
<b>MX410LP/C</b>	Cardioid, 10" (25.4 cm), bi-color status indicator, less preamp
<b>MX410LP/S</b>	Supercardioid, 10" (25.4 cm), bi-color status indicator, less preamp
<b>MX410RLP/N</b>	No microphone cartridge, 10" (25.4 cm), light ring, less preamp
<b>MX415LP/C</b>	Cardioid, 15" (38.1 cm), bi-color status indicator, less preamp
<b>MX415LP/S</b>	Supercardioid, 15" (38.1 cm), bi-color status indicator, less preamp
<b>MX415RLP/N</b>	No microphone cartridge, 15" (38.1 cm), light ring, less preamp

**SHURE**<sup>®</sup>  
LEGENDARY  
PERFORMANCE™

# MXWAPT2, MXWAPT4, MXWAPT8 Access Point Transceivers

## Overview

The MXWAPT is a 2- 4- or 8-channel wireless access point compatible with Microflex® Wireless microphone systems. It uses automated frequency coordination to assign clean frequencies to wireless microphones and manages two-way wireless transmission of encrypted audio and control signals. Power to the unit (via PoE) and Dante digital networked audio are both supplied over a single Ethernet cable to simplify installation, and the supplied mounting plate and paintable cover allow discreet placement in boardrooms and conference rooms where low visibility is preferred.

## Features

- Slim profile: Lightweight, discreet unit with paintable cover to match interior room colors and blend into AV environments
- Easy installation: Includes wall/ceiling mounting plate and connects to the system over single Ethernet cable (PoE compatible)
- Plenum rated: Meets rigorous fire safety test standards for installation above drop ceiling tiles
- Scalable configurations: Available in 2, 4 or 8 channel models to fit varying channel count requirements, and multiple units can be combined support configurations of up to 40 compatible channels (80 in Europe and select countries)
- Bi-directional wireless: Provides return channel audio to wireless transmitters and enables real time remote control of all wireless microphone settings
- Automated frequency coordination: Automatically scans available spectrum, coordinates clean frequency assignments, and moves channels away from unexpected interference
- Dante™ digital networked audio: Transports low latency digital audio received from wireless microphones over Cat5e cable to any other Dante-equipped device
- Encrypted wireless: AES 256-bit encryption for secure transmission
- Selectable output power: Optimize spectrum usage by selecting the appropriate wireless output power for the desired operating range
- Diagnostic LEDs: Provide easy visual reference to system activity and indicate power, wireless connection, and network audio status



**MXWAPT**  
Access Point Transceiver

## Specifications (subject to change)

<b>Network Interface</b>	RJ45: Gigabit Ethernet, Dante digital audio
<b>Plenum Rating</b>	UL 2043
<b>Power Requirement</b>	Power over Ethernet (PoE) Class 0, 6.5W
<b>Antenna Type</b>	Internal, Spacial Diversity, Circular Polarization
<b>Housing</b>	Molded Plastic, Cast Zinc
<b>Dimensions</b>	24 mm × 170 mm × 170 mm (1.35 in. × 6.7 in. × 6.7 in.), H × W × D Without mounting plate or cover
<b>Weight</b>	APT8 856 g (1.9 lbs) APT4 845 g (1.9 lbs) APT2 845 g (1.9 lbs) Paintable Cover 85 g (0.2 lbs) Mounting Bracket 68 g (0.15 lbs)

## Available Models

<b>MXWAPT8</b>	8-Channel Access Point Transceiver
<b>MXWAPT4</b>	4-Channel Access Point Transceiver
<b>MXWAPT2</b>	2-Channel Acces Point Transceiver

**SHURE**<sup>®</sup>  
LEGENDARY  
PERFORMANCE™

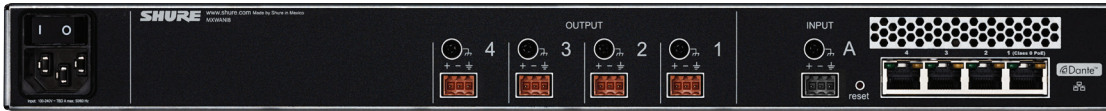
# MXWANI4, MXWANI8 Audio Network Interface

## Overview

The MXWANI is a 4- or 8-channel Audio Network Interface compatible with Microflex™ Wireless microphone systems that enables easy out-of-the-box system setup with no additional networking hardware required. With per channel analog outputs and a versatile 4-port gigabit switch, it is the central point for connecting and distributing Microflex Wireless systems to conference room AV networks. Front panel controls offer quick adjustments locally, or adjust system settings remotely from a networked PC or Mac through the Microflex Wireless Control Software.



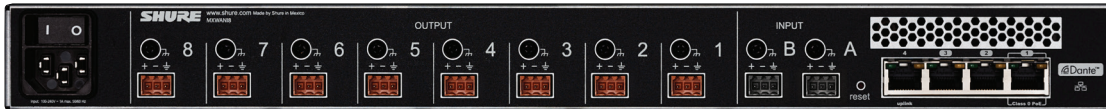
**MXWANI4**  
Audio Network Interface Front Panel



**MXWANI4**  
Audio Network Interface Rear Panel



**MXWANI8**  
Audio Network Interface Front Panel



**MXWANI8**  
Audio Network Interface Rear Panel

## Features

- Analog connections: 4 or 8 block connector channel outputs, with 1 or 2 block connector inputs (model dependent)
- Four port gigabit switch: Optimized port configurations for connection to the Access Point Transceiver and Networked Charging Stations, third party control systems, and corporate networks
- Ethernet connectivity: Send audio and control signals over long cable runs of up to 300 feet or anywhere over a corporate network
- Power over Ethernet: Port 1 of the rear panel switch supplies power over Ethernet to the Access Point Transceiver for simplified installation
- Corporate uplink mode: Link to the corporate network for remote control of system settings while keeping audio off the network for security and to reduce bandwidth
- Front panel controls: Mute or solo channels and set input/output levels easily from the front panel
- PC/Mac software control: Access the Microflex Wireless Control Software from a networked computer for input/output levels and port configuration
- Dante™ networking: Transports low latency digital audio received from wireless microphones over Ethernet to any other Dante-equipped device
- Headphone output: Solo audio signal on any channel

**SHURE**<sup>®</sup>  
LEGENDARY  
PERFORMANCE™



# Specifications (subject to change)

<b>Audio Frequency Response</b>	20 Hz to 20 kHz (+1, -1.5 dB)
<b>Dynamic Range</b> <small>(20 Hz to 20 kHz, A-weighted, typical)</small>	Analog-to-Dante: 113 dB Dante-to-Analog: 110 dB
<b>Output Noise</b> <small>(20 Hz to 20 kHz, A-Weighted, typical)</small>	Line: -84.5 dBV Aux: -95.2 dBV Mic: -106.5 dBV
<b>THD+N</b> <small>(20 Hz to 20 kHz@ +4dBu analog input, -10 dBFS digital input)</small>	<0.05%
<b>Polarity</b>	Non-inverting, any input to any output
<b>Dimensions</b>	44 mm × 483 mm × 366 mm (1.7 in. × 19.0 in. × 14.4 in.), H × W × D
<b>Weight</b>	MXWANI4 3.1 kg (6.9 lbs) MXWANI8 3.2 kg (7.1 lbs)
<b>Housing</b>	Steel, Extruded aluminum
<b>Power Requirements</b>	100 to 240 V AC, 50-60 Hz, 1 A
<b>Operating Temperature Range</b>	-18°C (0°F) to 63°C (145°F)
<b>Storage Temperature Range</b>	-29°C (-20°F) to 74°C (165°F)

## Analog Connections - Outputs

<b>Configuration</b>	Active Balanced
<b>Impedance</b>	310 Ω
<b>Clipping Level</b> <small>(minimum)</small>	Line: +26.2 dBV Aux: +16.2 dBV Mic: -3.8 dBV

## Analog Connections - Input(s)

<b>Configuration</b>	Active Balanced
<b>Impedance</b>	10.6 kΩ
<b>Clipping Level</b> <small>(minimum)</small>	Line: +23.8 dBV Aux: +10.8 dBV

<b>Headphone Output</b>	6.35 mm (1/4") TRS, 100 mW, 350 Ω, dual mono (will drive stereo phones)
	0 dBV=1 V RMS    0 dBu=0.775 V RMS    0 dBV=2.2 dBu

## Digital Signal Processing

<b>AD/DA Converter</b>	24-bit, 48 kHz
<b>Latency</b> <small>(Estimated Nominal, ±0.1 ms)</small>	Analog-to-Dante: 0.21 ms Dante-to-Analog: 0.24 ms + TN TN = Network latency in milliseconds, as set in Dante Controller. Note: Dante network latency is typically associated with the receiving device.

## Networking

<b>Network Interface</b>	Four-Port Gigabit Ethernet Switch, Dante digital audio
<b>Uplink Port (Port 4)</b>	Selectable, blocks multicast traffic
<b>Power over Ethernet (PoE)</b>	Provided on Port 1 to power MXWAPT
<b>Cable Requirements</b>	Cat 5e or higher, shielded, 100 m maximum between network devices
<b>Network Addressing Capability</b>	DHCP, link-local, static

## Available Models

<b>MXWANI8</b>	8-Channel Audio Network Interface
<b>MXWANI4</b>	4-Channel Audio Network Interface

## Optional Accessories

<b>90A20082</b>	Hardware Kit
<b>95B8389</b>	IEC Cable



# MXWNCS2, MXWNCS4, MXWNCS8 Networked Charging Station

## Overview

The MXWNCS is a 2, 4 or 8 port Networked Charging Station compatible with Microflex® Wireless microphone systems. Designed to complement boardroom aesthetics, Networked Charging Stations easily connect between conference room credenzas and AV rack closets over Ethernet via a single Cat5e cable. The front panel displays battery charge in 5 segment LED's, and remaining runtime and charge levels in hours and minutes can be monitored from any networked computer via the control software. Handheld, bodypack and boundary transmitter styles each occupy one docking space while gooseneck bases require two spaces to dock.

## Features

- Versatile microphone docking: Each station accepts all Microflex Wireless transmitters
- Charge status indicators: 5-segment LED's on the unit display charge status individually for every docked microphone
- Remote charge status monitoring: Ethernet connection to the system enables remote monitoring of battery charge status in hours and minutes via the control software or third party control systems
- Easy transmitter linking: Assign docked wireless microphones to channels on an Access Point Transceiver by simply pressing "link"
- Rapid charge times: Reaches 50% charge in one hour and fully charges transmitters in two hours
- Overcharge protection: Smart recharging circuitry safeguards against battery damage and extends life cycles



**MXWNCS2**  
Networked Charging Station shown with MXW2/SM58 and MXW6

## Specifications (subject to change)

<b>Charge Time</b>	MXW1, MXW6, MXW8: 50%=1 hour; 100%=2 hours MXW2: 50%=1.5 hour; 100%=3 hours
<b>Network Interface</b>	10/100 Mbps Ethernet
<b>Power Requirement</b>	15 V DC @ 3.3 A maximum, supplied by external power supply (tip positive)
<b>Housing</b>	Molded Plastic, Cast Zinc
<b>Dimensions</b>	NCS8: 68 mm × 343 mm × 184 mm (2.7 in. × 13.5 in. × 7.25 in.), H × W × D NCS4: 68 mm × 191 mm × 184 mm (2.7 in. × 7.5 in. × 7.25 in.), H × W × D NCS2: 48 mm × 102 mm × 154 mm (1.9 in. × 4.0 in. × 6.1 in.), H × W × D
<b>Weight</b>	NCS8 2.9 kg (6.4 lbs) NCS4 1.7 kg (3.7 lbs) NCS2 0.8 kg (1.8 lbs)



**MXWNCS4**  
Networked Charging Station

## Available Models

<b>MXWNCS8</b>	Networked Charging Station, 8 Port
<b>MXWNCS4</b>	Networked Charging Station, 4 Port
<b>MXWNCS2</b>	Networked Charging Station, 2 Port



**MXWNCS8**  
Networked Charging Station

**SHURE**<sup>®</sup>  
LEGENDARY  
PERFORMANCE™