



# HDMI Extender/Splitter Over CAT6

## HDX-100

Extend an HDMI signal to one remote display up to 150 feet away  
with support for one local monitor

### OVERVIEW

SmartAVI's HDX-100 is an innovative solution to extending any HDMI signal – be it a gaming console, Blu-ray player, computer, etc. – over inexpensive CAT6 STP cabling up to 150 feet away to one remote display and one local screen for real-time monitoring of content.

This is the perfect solution for broadcasting high-definition media easily and inexpensively from a source to display screen for customers to view while keeping the CPU in a remote, secure location, such as a computer room or the back office of a business. Utilizing the HDX-100, users can monitor what's being shown to customers in real-time via a local display, while retaining full control over the CPU or HDMI source, accessible only by key personnel.

The HDX-100 is a compact unit that is easily integrated into a digital display network such as in a retail store or bar/lounge. The transmitter and receiver units are extremely compact, which makes inclusion into a user's infrastructure very simple and handy.

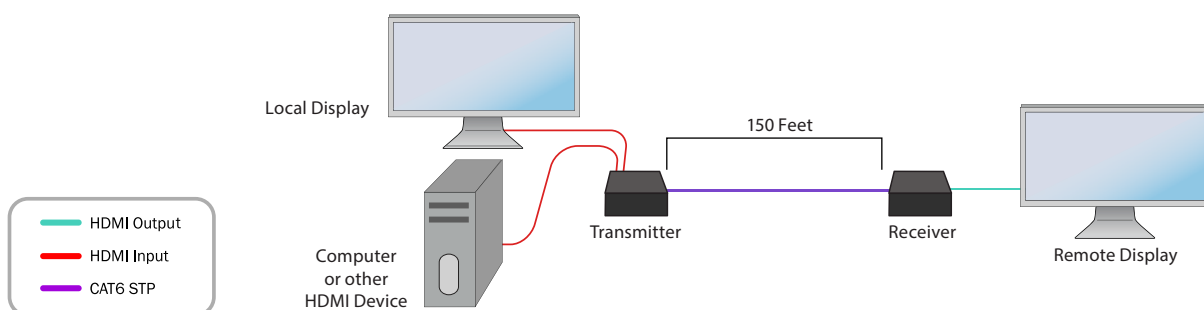
### FEATURES

- Compact Transmitter/Receiver Units
- Local HDMI Output
- Perfect Image Quality at all Resolutions (1920 x 1200, 480p, 720i, 720p, 1080i, 1080p)
- Video Resolutions up to 1920 x 1200 at 60Hz (1280 x 1024 at 75Hz) on all Distances to the Maximum Limit
- Bandwidth to 1.64Gps
- Automatic DDC Learning from Local Monitor
- Unit Operates Regardless of Local Monitor Connectivity
- Distances up to 150 Feet using Cat6 STP Cabling
- Compatible with all Operating Systems
- Plug-and-Play Ready

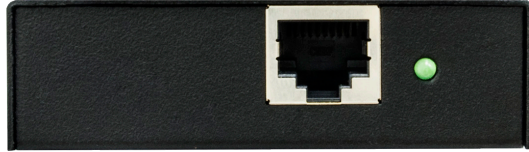
### APPLICATIONS

- Retail Locations
- Bars/Lounges
- Showroom Floors
- Convention Booths
- Hotel/Resort Check-In Counters
- Corporate/Educational Demonstrations
- Houses of Worship
- Medical Facilities
- Recording/Editing Studios

### APPLICATION DIAGRAM



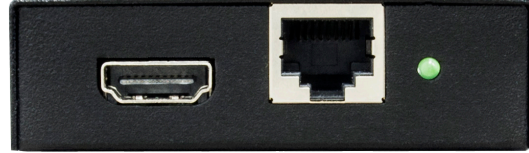
## SPECIFICATIONS



HDX-RX100 Front



HDX-RX100 Rear



HDX-TX100 Front



HDX-TX100 Rear


### SPECS

Video Interface	HDMI Type A 19 pin female
Resolution	1920 x 1200@60Hz or 480p/720i/720p/1080i/1080p
Color Depth	36 bit
Transmitter	(1) RJ-45 output, (1) HDMI input, (1) local HDMI output
Receiver	(1) RJ-45 input, (1) HDMI output
Dimensions	2.75"W x 3.875"L x 1"H
Weight	0.6 lbs
Bandwidth	1.65 Gps
Power Adapter	PS5VDC2A
Approvals	UL, CE, ROHS Compliant
Operating Temp	32-131°F (0-55 °C)
Storage Temp	-4-185°F (-20-85 °C)
Humidity	Up to 95%

Part No.	Description
HDX-100S	HDMI Extender over CAT6 up to 150 feet. Includes: [HDX-TX100, HDX-RX100 & 2x(PS-PS5VDC2A)]

Many leading companies have recognized and embraced the innovation of SmartAVI's technologies and have successfully incorporated them into their organizations. Users of SmartAVI include:



 Designed and Manufactured in the USA

[www.smartavi.com](http://www.smartavi.com)

Tel: 800.AVI.2131 • 818.503.6200 • 11651  
Vanowen St. North Hollywood, CA. 91605

**Smart-AVI**  
SMART AUDIO VIDEO INNOVATION