

SONIFEX

RB-AEC
Acoustic Echo Cancellor

2016
Catalogue





RB-AEC Acoustic Echo Celler



Category: Synchronisers, Delays & Silence Detectors.

Product Function: Remove acoustic echo in a presenter's earpiece caused by microphones picking up audio from loudspeakers in delay.

Typical Applications: In a TV production environment where presenters are fed a signal which has some form of acoustic delay or echo. Any situation where adaptive echo cancellation is required.

Features: Built-in web server interface, analogue and digital I/O, automatic operation once configured.

The RB-AEC 1U rack-mount is an acoustic echo canceller primarily designed for the benefit of studio personnel for television and radio. When a studio presenter's microphone signal is played out through a monitor speaker in the control room, it can be picked up by the control room microphone(s) and returned to the presenter's earpiece as an undesirable echo.

In circumstances where green screen video processing is taking place, the delay can be greater than 200ms. Additionally, the dimensions, occupancy and distance between mouth and microphone can further

influence the echo. The RB-AEC is used to remove the entire control room monitor speaker output from the presenter's feed by adapting to the environment in which the control room microphones are placed. Although acoustic echo cancellation is more commonly implemented in telephony systems, the Sonifex RB-AEC is designed to produce broadcast quality cancellation.

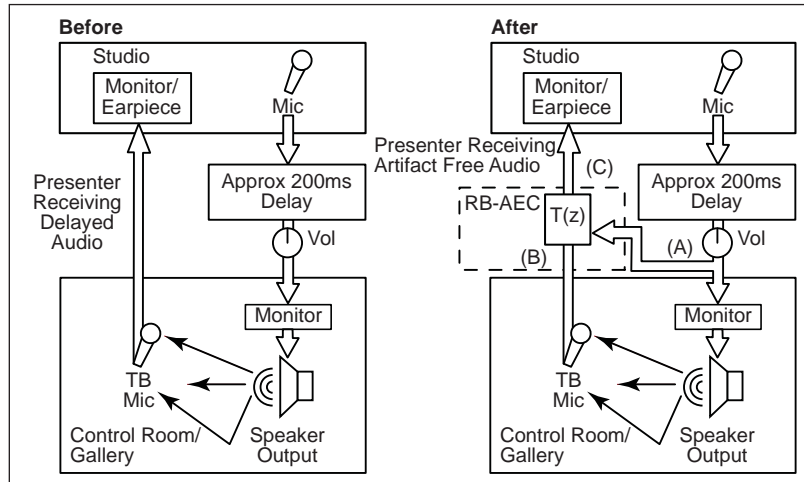
Much like during a conference call configuration between two rooms, each room has a microphone and speaker to conduct a conversation. When an occupant of one room speaks, it takes a certain length of time before it is received in the

second room. Without a suitable solution this 'delayed' signal can then be captured by the microphone in the second room and returned back to the first room as an echo.

In the particular example of TV production, as well as the processing/transmission delay, sound reflections from the control room monitor speaker into the control room microphone(s) cause the studio earpiece to suffer further delay. The sound reflections in the control room vary with the contents of the room including any personnel present. Also, different frequencies produce varying reflections across various types of surfaces and magnitudes within the room. For a 15m distance between speaker and microphone the delay is as much as 40ms. The DSP solution offered by the RB-AEC can dynamically compensate for varying configurations.

Operation of the RB-AEC

The post-processed transmission output program from the studio (A) is sent to the RB-AEC as an analogue or digital audio signal (the stereo input is auto-sensing) which acts as a mix-minus to the input signal (B) from the Control Room. The RB-AEC removes the unwanted acoustic echoes so that the audio sent to the presenter's earpiece (C) is free of echoes and reflection artifacts.





Specification For RB-AEC

Audio Specification

Audio Input (Program):	1 x mono analogue or AES/ EBU digital on XLR 3-pin female (autoselecting)
Audio Input (From Control Room):	1 x mono analogue or AES/EBU digital on XLR 3-pin female (autoselecting)
Max Level (0dB Input Gain):	+18dBu (analogue)/0dBFS (digital)
CMRR:	>60dB typical
Input Impedance:	20kΩ (analogue) 110Ω (digital with termination switchable)
AES/EBU Input:	32kHz to 192kHz
Input Gain:	0, +6, +12 or +18dB digital gain (switchable)
Audio Outputs (Analogue):	2 x mono analogue on XLR 3-pin male
Audio Outputs (AES/EBU):	1 x stereo digital AES/EBU on XLR 3-pin male

Maximum Output Level:	+18dBu (analogue)/0dBFS (digital)
Output Impedance:	<50Ω (analogue)/110Ω (digital)
AES/EBU Output Sample Rates:	Selectable 32kHz - 192kHz
Distortion:	<0.02% (1kHz, +8dBu output)
Noise:	-84dB RMS, unity gain ref +8dBu output
Frequency Response:	20Hz-12kHz +/-0.5dB
Rejection Ratio (Input to Output):	Typically 20dB on complex waveforms, reference peak level of 0dB
Remote I/O Port:	9 way D-Type socket
Ethernet Port:	1 x RJ45 with status LEDs
Mains Input:	Filtered IEC, continuously rated 85 264VAC @ 47-63Hz, 10W max
Fuse Rating:	Anti-surge fuse 1A 20 x 5mm

Controls

Configuration:	1 x Ethernet port and 1 x rear panel 4-way dipswitch
Reset:	1 x front panel recessed button

Equipment Type

RB-AEC:	Acoustic echo canceller
---------	-------------------------

Physical Specification

Dimensions (Raw):	48cm (W) x 10.8cm (D) x 4.2cm (H) (1U) 19" (W) x 4.3" (D) x 1.7" (H) (1U)
Dimensions (Boxed):	58.5cm (W) x 22.5cm (D) x 7cm (H) 23" (W) x 8.9" (D) x 2.8" (H)
Weight:	Nett: 1.5kg Gross: 2.0kg Nett: 3.3lbs Gross: 4.4lbs

SONIFEX

www.sonifex.co.uk

UK Office:

Sonifex Ltd

61 Station Road, Irthlingborough,

Northants, NN9 5QE, UK

Tel: +44 (0) 1933 650700

Fax: +44 (0) 1933 650726

Email: sales@sonifex.co.uk

Australian Office:

Sonifex Pty Ltd

12/6 Leighton Place,

Hornsby NSW 2077, Australia

Tel: +61 (2) 9987 0499

Fax: +61 (2) 9476 4950

Email: sales@sonifex.com.au