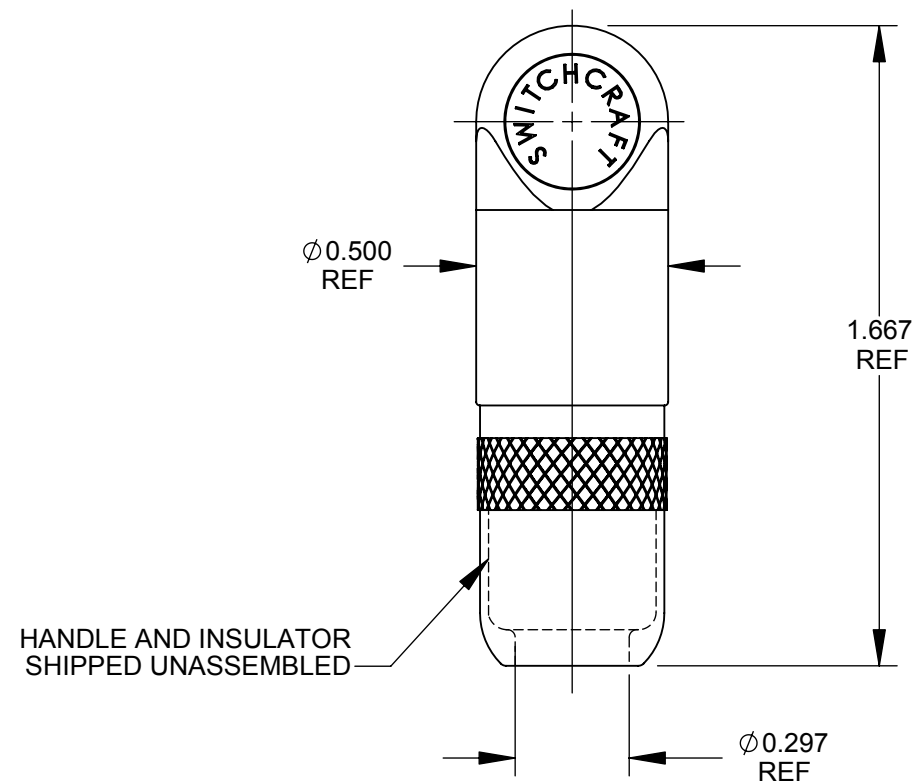
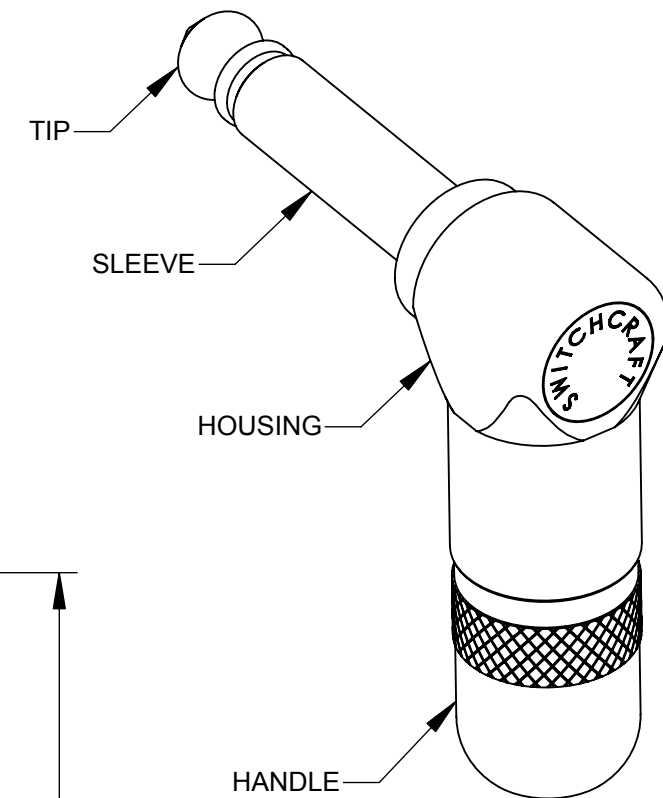


VIEW WITHOUT HANDLE AND INSULATOR



HANDLE AND INSULATOR SHIPPED UNASSEMBLED



SPECIFICATIONS:

- MATERIAL**
- TIP ROD AND HANDLE - BRASS, NICKEL PLATED
  - HOUSING AND SLEEVE - ZINC DIE CAST, COPPER AND NICKEL PLATED
  - TIP TERMINAL - BRASS, TIN PLATED
  - SLEEVE (CLAMP) TERMINAL - STEEL, TIN PLATED
  - INSULATION - THERMOPLASTIC

- ELECTRICAL**
- DIELECTRIC WITHSTANDING VOLTAGE : 500 VAC
  - INSULATION RESISTANCE: 50,000 MEGOHMS MINIMUM (INITIAL)

- OPERATING TEMPERATURE**
- 20°C TO +65°C

- MATING JACK**
- TYP, 1/4 INCH, COMMERCIAL TYPE, 2 CONDUCTOR PHONE JACK

**F** THIS PRODUCT IS RoHS COMPLIANT

**CUSTOMER DRAWING**

REV	ECO NUMBER	DATE	BY	APVD
F	25760	12-5-07	TJK	TJK
E	CAD REDRAW 25124	10-28-05	JL	GG
REVISIONS				

UNLESS OTHERWISE SPECIFIED

1. ALL DIMENSIONS IN INCHES

- TWO PLACE DECIMALS ±0.02
- THREE PLACE DECIMALS ±0.005

DO NOT SCALE DRAWING

THIS DRAWING DESCRIBES A DESIGN CONSIDERED PROPRIETARY IN NATURE, DEVELOPED AND MANUFACTURED BY SWITCHCRAFT INC. AND IS RELEASED ON A CONFIDENTIAL BASIS FOR IDENTIFICATION PURPOSES ONLY.									
SIZE *	WIDTH *	MULT *	LBS/M *	TEMPER *					
FINISH *					MATERIAL *				
SPEC No. *					SPEC No. *				
FIRST USED ON *			SCALE 2:1						
DATE DRAWN	BY	CHKD	APVD						
10-28-05	JL	GG	GG						
			10-28-05	10-28-05	SHEET 1 OF 1				
NAME RA PHONE PLUG, 2 CONDUCTOR, RoHS				PART No. 226		REV F			