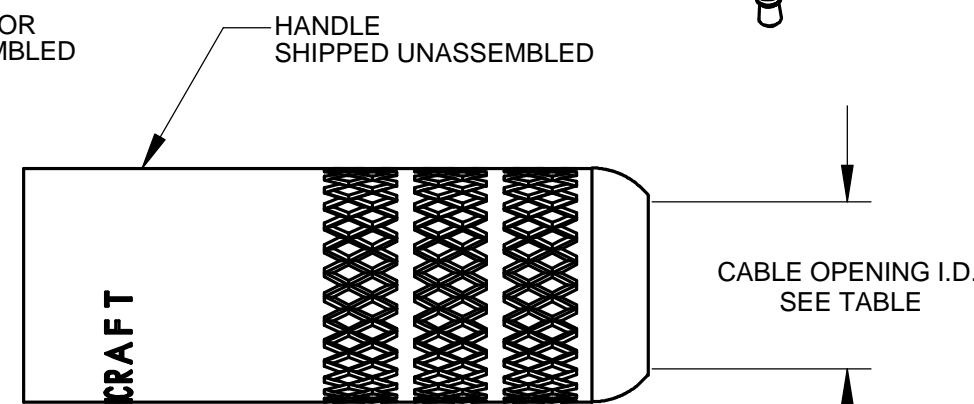
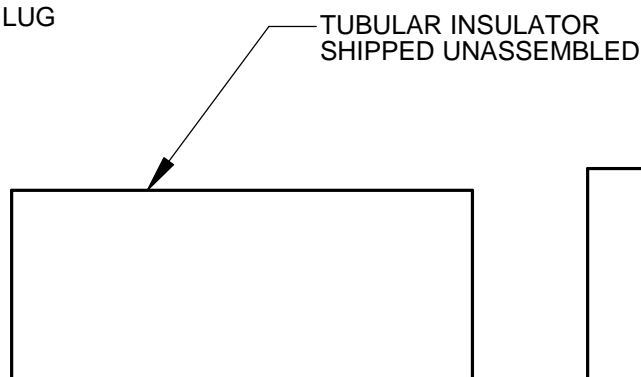
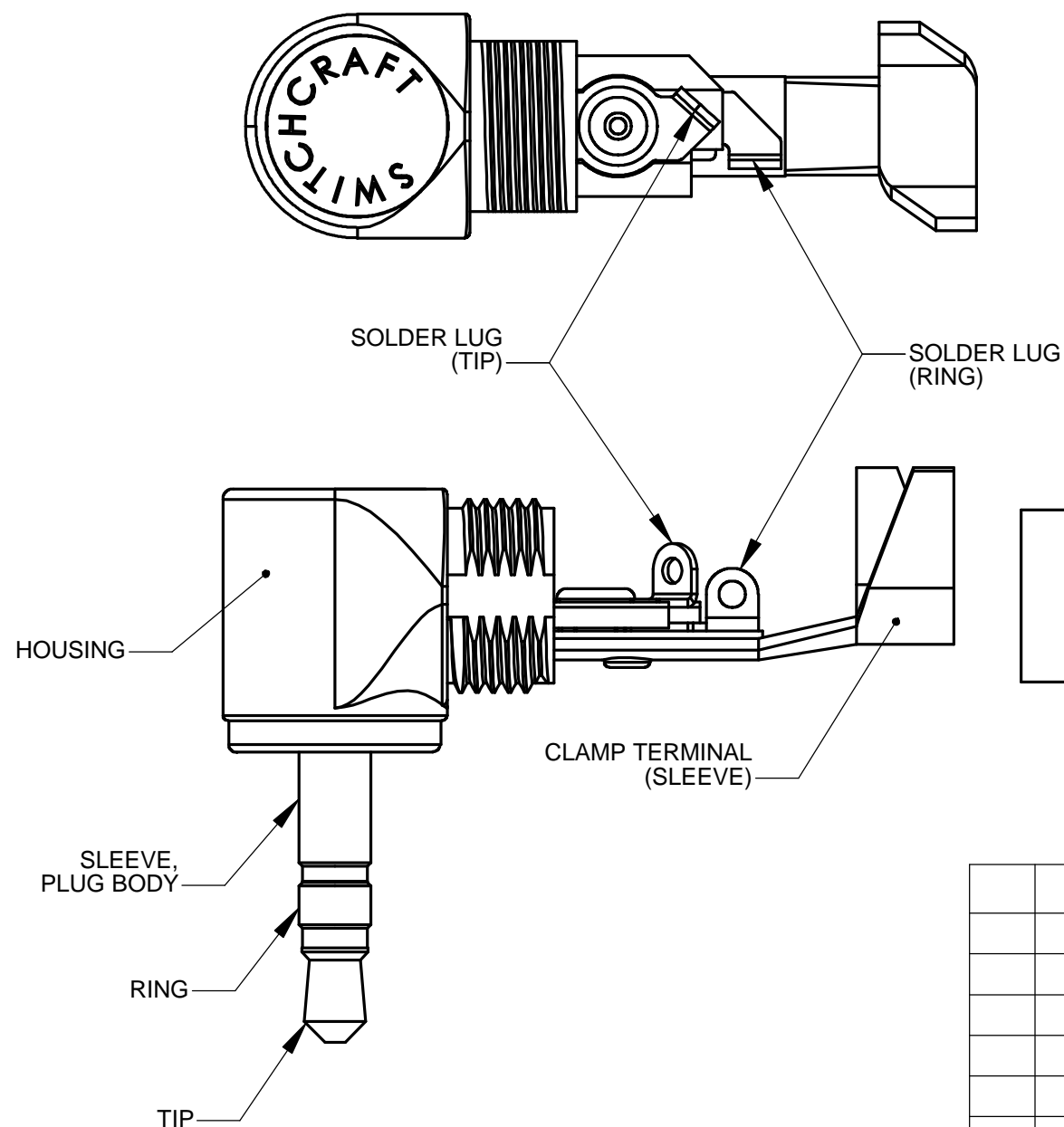
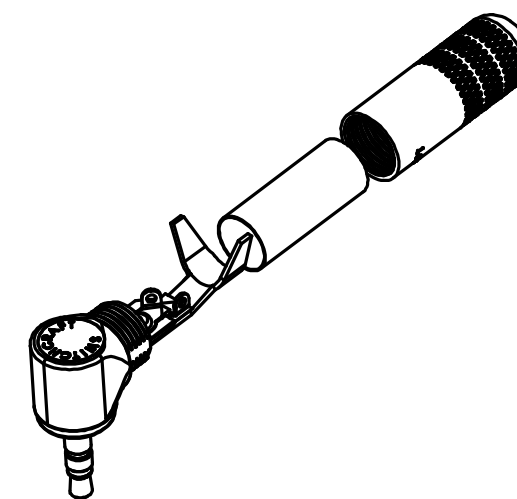
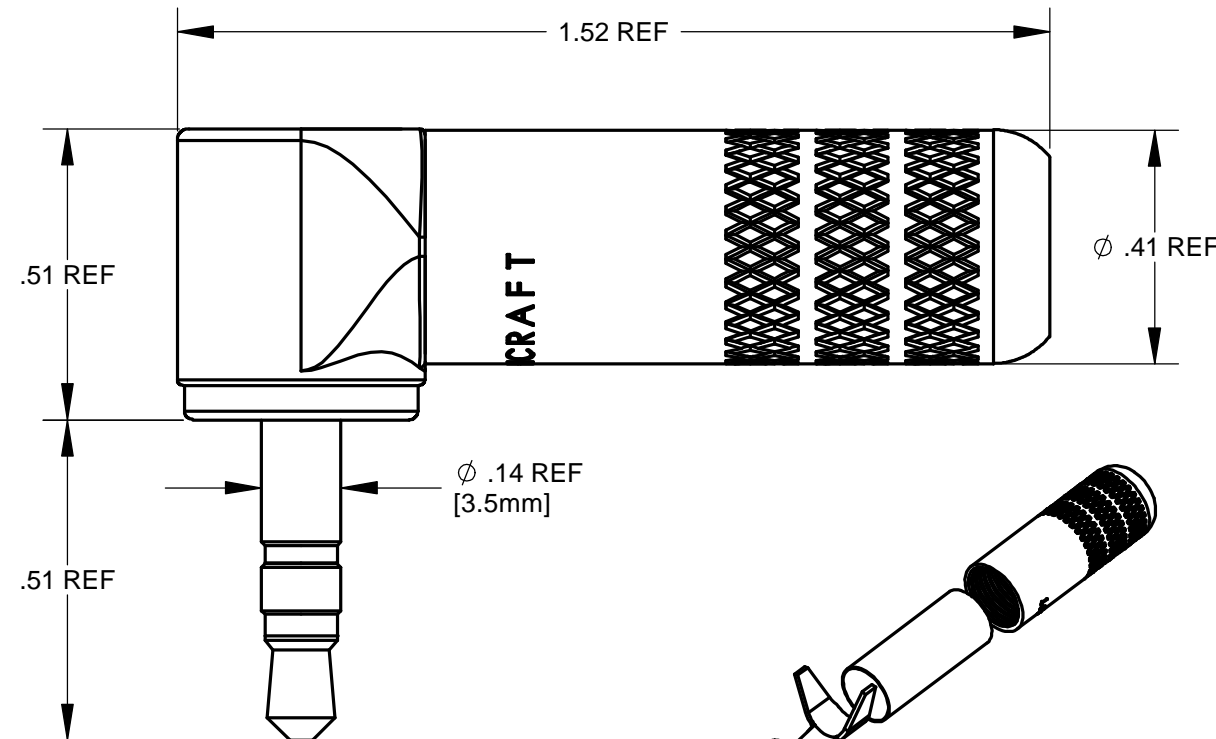


PART NUMBER	PLUG FINGER	HANDLE	HANDLE CABLE OPENING I.D.
35HDRABAU	GOLD	BLACK	0.29
35HDRABAUS	GOLD	BLACK	0.175
35HDRANAU	GOLD	NICKEL	0.29
35HDRANAUS	GOLD	NICKEL	0.175
35HDRANN	NICKEL	NICKEL	0.29
35HDRANNS	NICKEL	NICKEL	0.175

MATERIALS:

- PLUG MOLDING COMPOUND - L.C.P. BLACK
- SLEEVE, PLUG BODY - BRASS, NICKEL OR GOLD PLATED
- RING SLEEVE - BRASS, NICKEL OR GOLD PLATED
- TIP ROD - BRASS, NICKEL OR GOLD PLATED
- HOUSING - ZINC, BLACK OR NICKEL PLATED
- TUBULAR INSULATOR - MYLAR, TRANSLUCENT
- HANDLE - BRASS, BLACK OR NICKEL PLATED
- CLAMP TERMINAL - CRS, TIN PLATED
- SOLDER LUGS (TIP & RING) - BRASS, TIN PLATED



CUSTOMER DRAWING

REV	ECO NUMBER	DATE	BY	APVD
A	24662	3-23-04	JL	AKE
REVISIONS				

☆ STAR SYMBOL DENOTES CRITICAL DIMENSION

UNLESS OTHERWISE SPECIFIED

- ALL DIMENSIONS IN INCHES
 - TWO PLACE DECIMALS ±0.01
 - THREE PLACE DECIMALS ±0.005
 - ANGLES ±1°
 - ALL DIA. CONCENTRIC WITHIN 0.005 T.I.R.
- FEATURES ON THE SAME CENTERLINE MUST BE ALIGNED WITHIN ±0.002
- REMOVE ALL BURRS

DO NOT SCALE DRAWING

THIS DRAWING DESCRIBES A DESIGN CONSIDERED PROPRIETARY IN NATURE, DEVELOPED AND MANUFACTURED BY SWITCHCRAFT INC. AND IS RELEASED ON A CONFIDENTIAL BASIS FOR IDENTIFICATION PURPOSES ONLY.									
SIZE *	WIDTH *	MULT *	LBS/M *	TEMPER *					
FINISH *					MATERIAL *				
SPEC No. *					SPEC No. *				
FIRST USED ON *				SCALE 3:1					
DATE DRAWN	BY	CHKD	APVD						
6-27-00	AKE	AKE	AKE						
			3-23-04						
NAME				PART No.					
3.5mm RA STEREO PLUG				35HDRA SERIES					
								SHEET 1 OF 1	REV A