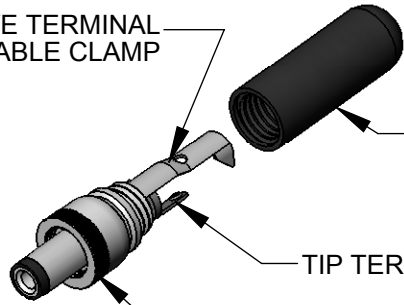


PART NUMBER	HANDLE COLOR
760K	BLACK
765K	RED

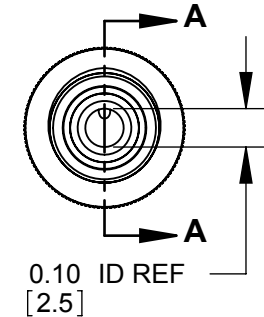
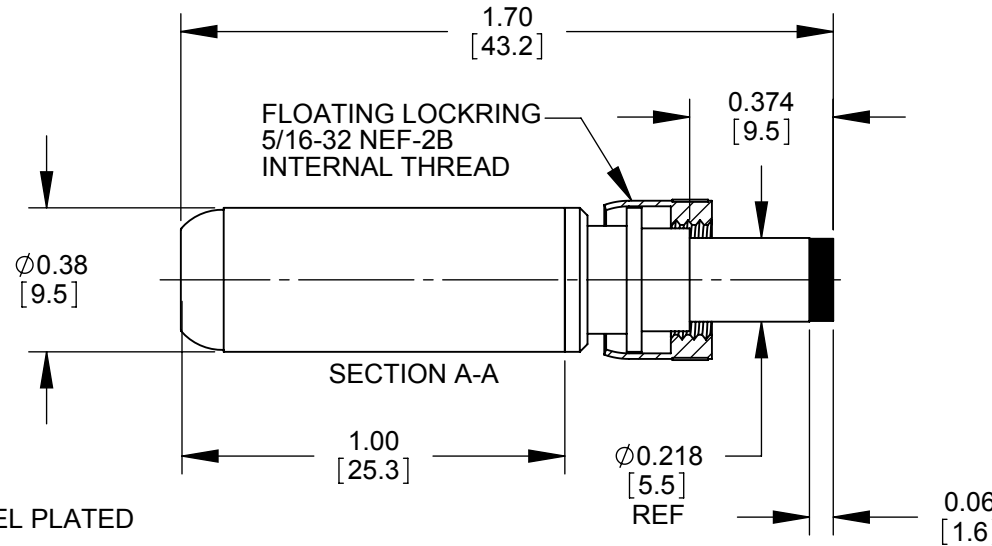
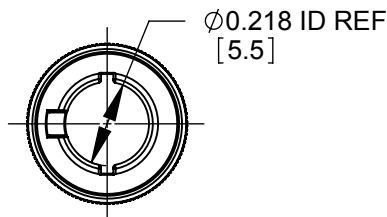
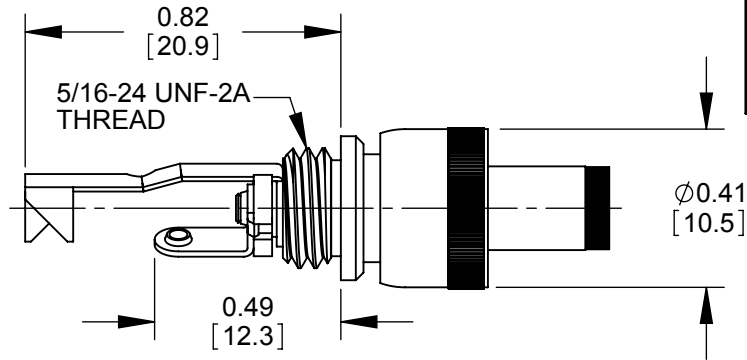
SLEEVE TERMINAL  
CABLE CLAMP



HANDLE  
SHIPPED  
UNASSEMBLED

TIP TERMINAL

COUPLING RING



NOTES:

- MATERIALS:  
CONDUCTORS, LOCKRING - BRASS, NICKEL PLATED  
TERMINALS - BRASS, TIN PLATED  
INSULATORS, HANDLE - THERMOPLASTIC
- THIS PRODUCT IS RoHS COMPLIANT

**CUSTOMER DRAWING**

					THIS DRAWING DESCRIBES A DESIGN CONSIDERED PROPRIETARY IN NATURE, DEVELOPED AND MANUFACTURED BY SWITCHCRAFT INC. AND IS RELEASED ON A CONFIDENTIAL BASIS FOR IDENTIFICATION PURPOSES ONLY.				
UNLESS OTHERWISE SPECIFIED  1. ALL DIMENSIONS IN INCHES - TWO PLACE DECIMALS ±0.02 - THREE PLACE DECIMALS ±0.005					SIZE	WIDTH	MULT	LBS/M	TEMPER
					FINISH			MATERIAL	
					SPEC No.			SPEC No.	
					FIRST USED ON			SCALE	
DATE DRAWN	BY	CHKD	APVD						
3-31-09	JEB	JEB	TJK						
REVISIONS					NAME Ø 0.10 [2.5]mm x 0.374 LONG POWER PLUG W/LOCKRING, RoHS				
DO NOT SCALE DRAWING					PART No. 760K-765K				
					REV C				

SolidWorks CAD File

